

DIODE DYNAMICS

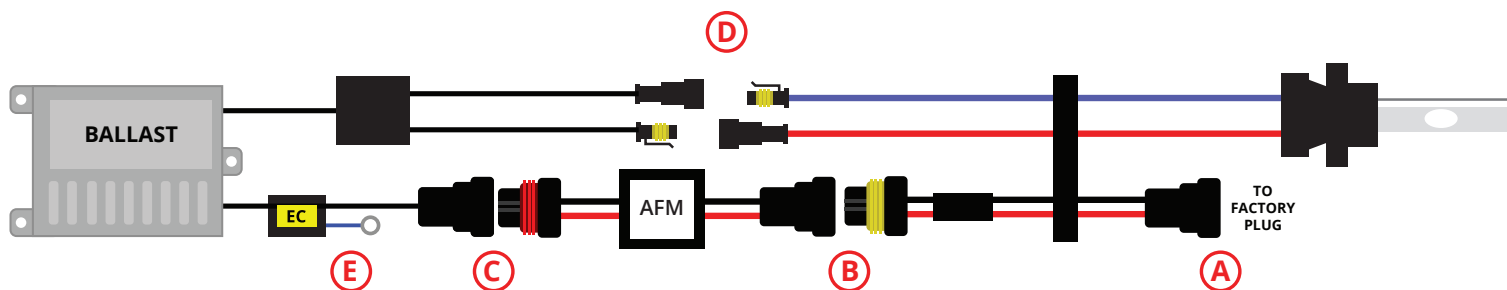
PERFORMANCE LIGHTING TECHNOLOGY

Single Beam HID Installation Guide

WITHOUT RELAY

READ FIRST: Turn vehicle completely off before beginning installation. Disconnect the negative battery terminal for safety. Please refer to your vehicle's owner's manual for specific instructions on headlight removal.

Tools Needed: socket wrench, 1" drill bit to drill a hole in your dustcaps (if applicable)



1. Remove the factory bulb: Reference your vehicle's manual for instructions on accessing the bulb. You may need to remove a dust cap from the back of the light assembly. Unplug the factory connector from the back of the bulb. Remove the bulb from the socket.

2. Install the HID bulb: Remove the protective plastic cover from the HID bulb, being sure not to touch the glass of the bulb itself. Place the HID bulb into the headlamp socket.

**If your vehicle uses dust caps, drill a 1" hole in the dust cap in order to run the wires out of the headlight. The included grommet will be used to seal this new hole from condensation.

3. Plug in the signal wires: Take the black and red signal wires with plug connector and insert them into the headlamp power socket inside the headlight. (A) This is the plug that you previously disconnected from the factory bulb. Try to match the wire colors, so that the black signal wire lines up with the black wire in the plug (if applicable).

4. OPTIONAL Connect the anti-flicker modules: If you purchased anti-flicker modules, plug the larger connector coming from the grommet into the female connector from the anti-flicker module. (B)

5. Connect the ballast: Plug the larger connector coming from either the anti-flicker module or the grommet into to the ballast's input plug. (C) Plug the circular connectors coming from the bulb into the corresponding ballast connectors. (D)

**Optional: if radio interference exists after installing kit, connect the blue wire from the ballast to a ground point on the chassis. (E)

TESTING YOUR KIT

Before you mount your ballasts into place and hide the wires, test your kit. Make sure all connections are secure. Connect the negative battery terminal back to the battery, and turn on your lights. Test the system with the vehicle off, and with the vehicle on, started and running.

TROUBLESHOOTING

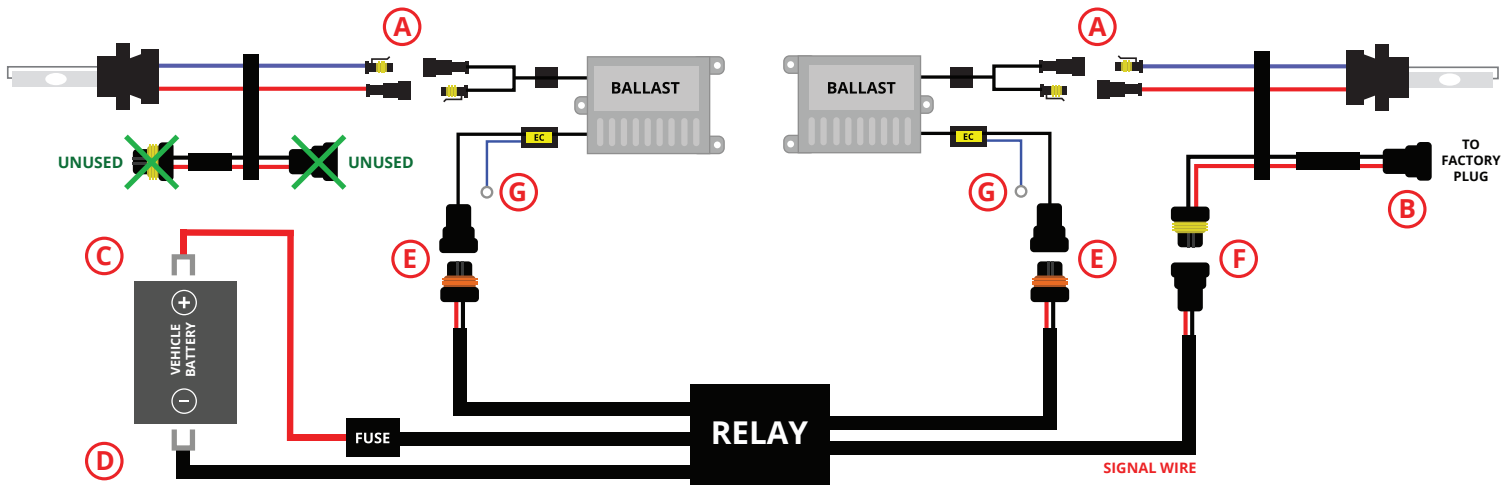
- If one bulb does not turn on at all:
 - Please try switching the red and black signal wires from (A). The polarity must be correct to the factory connector.
 - Check anti-flicker polarity:
 - Flip the connectors at (B) and (C) 180°
 - Flip the connector at (B) 180°
 - Flip the connector at (C) 180°
- If both bulbs do not turn on:
 - Please first re-read the guide and make sure everything is properly connected. If you have a main headlight plug, be sure it is plugged into to your headlight.

Single Beam HID Installation Guide

WITH RELAY

READ FIRST: Turn vehicle completely off before beginning installation. Disconnect the negative battery terminal for safety. Please refer to your vehicle's owner's manual for specific instructions on headlight removal.

Tools Needed: socket wrench, 1" drill bit to drill a hole in your dustcaps (if applicable)



1. Remove the factory bulb: Reference your vehicle's manual for instructions on accessing the bulb. You may need to remove a dust cap from the back of the light assembly. Unplug the factory connector from the back of the bulb. Remove the bulb from the socket.

2. Install the HID bulb: Remove the protective plastic cover from the HID bulb, being sure not to touch the glass of the bulb itself. Place the HID bulb into the headlamp socket.

****If your vehicle uses dust caps, drill a 1" hole in the dust cap in order to run the wires out of the headlight. The included grommet will be used to seal this new hole from condensation.**

3. Connect the ballast to the bulb: Plug the circular connectors coming from the bulb into the corresponding ballast connectors. **(A)**

4. Plug in the signal wires: Take the black and red signal wires of the HID bulb and insert them into the vehicle's headlamp power socket. **(B)** This is the plug that you previously disconnected from the factory bulb. Try to match the wire colors, so that the black signal wire lines up with the black wire in the plug.

****Since you are using a relay you will only use the HID input wires on the battery side of the vehicle as seen in the diagram.**

5. Connect the positive and ground wires: Connect the positive fork terminal **(C)** to the positive battery terminal. Connect the negative fork terminal **(D)** to the negative battery terminal if possible. You can also use any metal screw, bolt, etc. to ground the relay harness. Be sure that there is no paint where you are making contact as this may interfere with the ground connection.

6. Connect the relay to the ballasts: Connect the relay power outputs to the ballast input connector on each side of the vehicle. **(E)**

7. Connect the relay to the bulb: Connect your relay signal wire to the female HID connector that you left hanging on the battery side of the vehicle. **(F)**

****Optional:** if radio interference exists after installing kit, connect the blue wire from the ballast to a ground point on the chassis. **(G)**

TESTING YOUR KIT

Before you mount your ballasts into place and hide the wires, test your kit. Make sure all connections are secure. Connect the negative battery terminal back to the battery, and turn on your lights. Test the system with the vehicle off, and with the vehicle on, started and running.