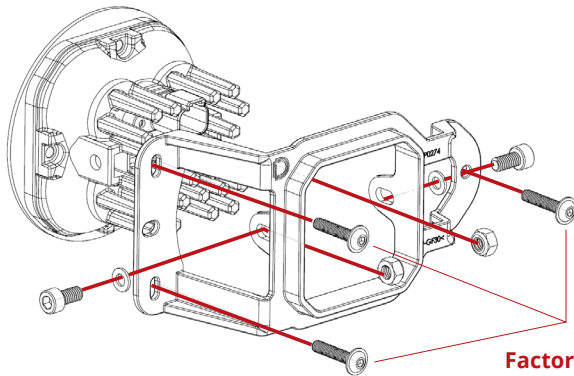


SS3 3" LED Pod Type MS Foglight Kit



Thank you for your purchase of our new SS3 Type MS Foglight Kit. CAD-designed to use existing mounting points, this kit is compatible with the Jeep JL Wrangler and JT Gladiator Sport. Basic installation instructions are included below.

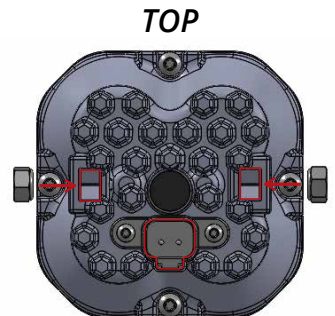


**Factory
Hardware**

Left and Right Sides

1. Attach the bracket to the pod loosely, using one screw on each side. These screws will also determine the aim of your SS3 pods. See the diagrams above and to the right. Make sure the bracket is in the correct orientation.

COMPUTER DESIGNED
OEM FITMENT



BOTTOM

See back for further instructions.



2. Using a trim removal tool, remove the eight push rivets along the front of the splash guard. We recommend prying on both accessible sides of the push rivets at the same time due to their large size.

Remove the splash guard. To do so, use an 8mm socket and ratchet to remove the two bolts on the bottom of the splash guard.



3. Remove the plastic fog light covers. To do so, use a 7mm socket and ratchet to remove the seven screws shown in the picture to the left.



4. Remove the factory fog light assembly. Use a T20 Torx driver to remove the three screws. We recommend using hand tools to reduce the chance of thread stripping or heating of the plastic that may occur with power tools.

These screws will be reused.

5. Using the three original torx screws, install the SS3 and bracket onto the vehicle. Ensure the lamps are oriented such that the DT connector is on the "bottom" of the lamp and the SAE markings are readable when installed on the vehicle.

6. Plug the SS3 into the factory fog light harness using the included DT wire adapter. Test function. If the light does not turn on, try flipping the connector 180°.

7. Adjust and aim the fog light according to your local and state laws. To adjust, loosen the screws on the sides of the bracket, aim, and re-tighten. In general, fog lamps should be angled slightly downwards to illuminate the area directly in front of the vehicle, below your headlamps.

8. Reinstall the fog light covers and splash guard to complete the installation.

This installation guide is for the following SKUs:

DD6576 Worklight SS3 Sport Type MS Kit White Driving
DD6577 Worklight SS3 Sport Type MS Kit White Fog
DD6578 Worklight SS3 Sport Type MS Kit Yellow Fog

DD6579 Worklight SS3 Pro Type MS Kit White Driving
DD6580 Worklight SS3 Pro Type MS Kit White Fog
DD6581 Worklight SS3 Pro Type MS Kit Yellow Fog

**100% SATISFACTION
 GUARANTEE**

