

Kit Includes

- One (1) Stage Series 5" LED Pod
- One (1) Deutsch-style wire pigtail
- One (1) mounting bracket and hardware

Features

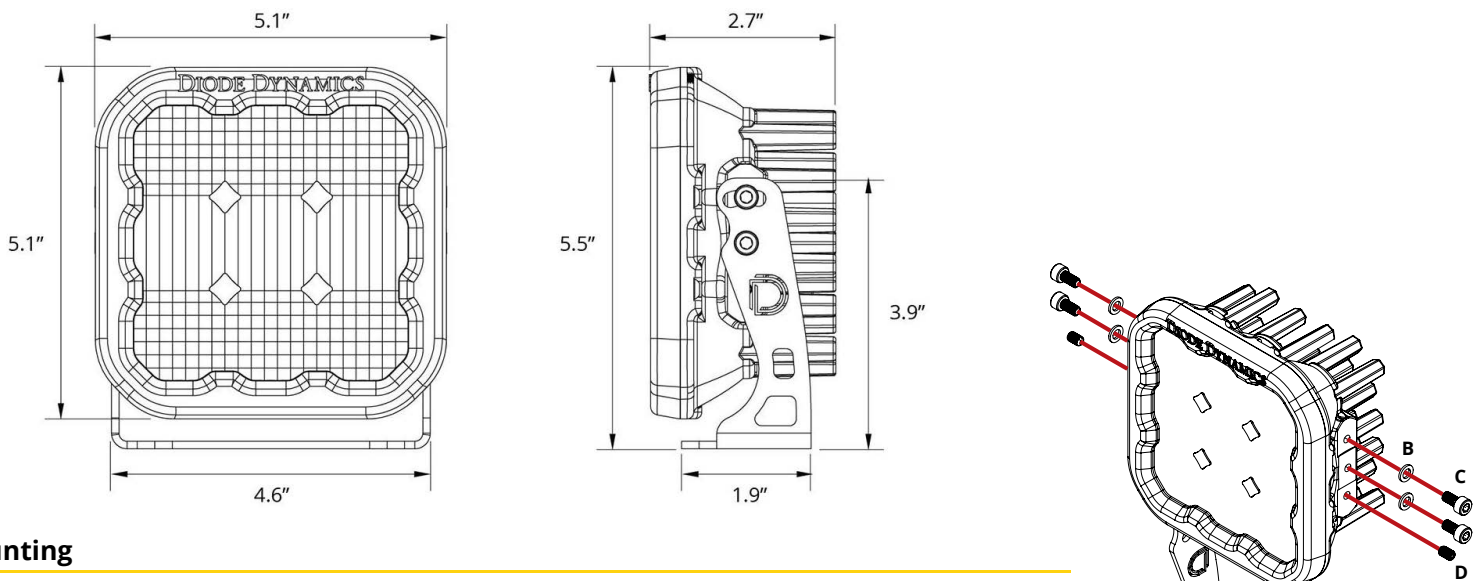
- Engineered TIR (total internal reflection) optics
- Selectable backlight color, with eight color options
- Built-in linking feature, build up to 50" bar
- Torture-tested, heavy-duty construction
- Ultra-high intensity: shines almost mile away

Wiring

Connect the red wire to positive supply, and black wire to negative or common ground. Tap the blue wire for the backlight to your desired vehicle function. All power sources must be fused.

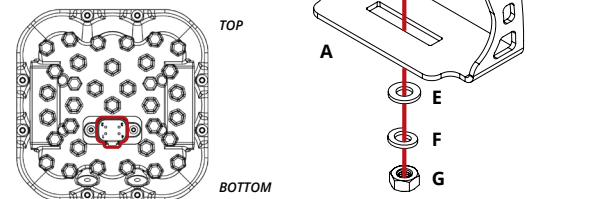
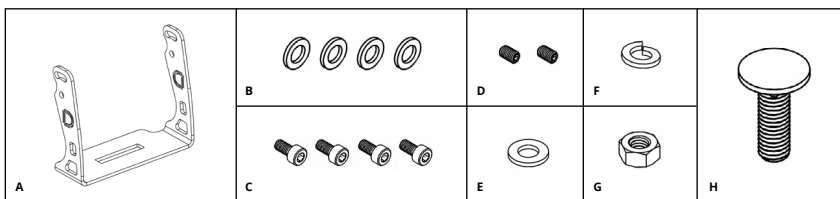
Please note: This auxiliary lamp draws high current, and requires adequately-sized wiring for safe operation. If you are not using a Diode Dynamics wire harness, use wire sized 16 AWG or larger. Please be mindful of current ratings and wire size, especially if splitting power signals to multiple pods, or using switches. If you have any questions, please feel free to contact us for assistance.

Dimensions



Mounting

If you wish, you may use the included hardware to mount your pod. Fasteners are included. The most common mounting style is shown below. Stage Series Pods are also compatible with most standard mounting brackets on the market.



See back for output and backlight operations.

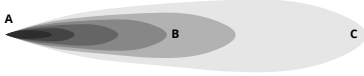
Specifications

- Input Voltage: 9-16V
- **Input Power:** SS5 Sport: 40 watts (Main Beam)
SS5 Sport: 3.2 watts (Backlight)
SS5 Pro: 90 watts (Main Beam)
SS5 Pro: 3.2 watts (Backlight)
- **Current Draw:** SS5 Sport: 3.125 amps @ 12.8V (Main Beam)
SS5 Sport: 0.25 amps @ 12.8V (Backlight)
SS5 Pro: 7 amps @ 12.8V (Main Beam)
SS5 Pro: 0.25 amps @ 12.8V (Backlight)
- Operating Temperature: -40° to 185°F
- Weight: 2.8 lbs (single), 6.3 lbs (pair)

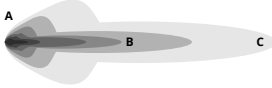


Output

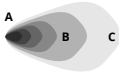
Driving



Combo



Flood



Spot



A - lux at 10 meters
B - Distance (m) with 1 lux
C - Distance (m) with .25 lux

SS5 SPORT					SS5 PRO					
Lens Color/Optics	cd*	Illuminance (lx)	Distance (m)		SKU	cd*	Illuminance (lx)	Distance (m)		SKU
White Driving	131,300	1,313	362	720	DD6780	170,000	1,700	412	820	DD6782
White Flood	4,000	40	63	130	DD6770	8,000	80	89	180	DD6776
White Spot	406,000	4,060	637	1,270	DD6768	290,000	2,900	539	1,080	DD6774
White Combo	82,000	820	286	570	DD6769	75,000	750	274	550	DD6775
Yellow Driving	100,000	1,000	316	630	DD6781	130,000	1,300	361	720	DD6783
Yellow Flood	3,500	35	59	120	DD6773	6,700	67	82	160	DD6779
Yellow Spot	360,000	3,600	600	1,200	DD6771	225,000	2,250	474	950	DD6777
Yellow Combo	71,000	710	266	530	DD6772	60,000	600	245	490	DD6778

* PEAK BEAM INTENSITY			
Measured Output	Output Color	Measured Output	Output Color
White 3,820 lumens	White 6000K White	White 9,600 lumens	White 6000K White
Yellow 3,700 lumens	Yellow 3000K Yellow	Yellow 7,900 lumens	Yellow 3000K Yellow

SS5 Backlight Operation

Backlight Colors:

White (Default), Red, Blue, Green, Magenta, Yellow, Amber, and Cyan

Programming:

1. Start with all power turned off. Cycle the backlight power on and back off three times quickly, within three seconds. (ON-OFF-ON-OFF-ON-OFF) You are now in programming mode.
2. Continue cycling power quickly until the desired color is selected, leaving it on that color. (ON-OFF...-ON)
3. Leave the desired color on for 5 seconds. This color will be saved, and the lamp will exit programming mode.
4. Turn off the power. The saved color will now appear any time backlight power is applied, under normal operation.
5. To select a new color, repeat these steps to enter programming mode, and save a new color. You can start over and exit programming mode at any time by leaving the backlight on for more than 5 seconds, then switching it off.

Color Reset:

If you have multiple lamps connected together, it is possible that one or more colors may get "out of sync" with the others. If this happens, follow the Color Reset procedure.

1. Enter programming mode by cycling power on and back off three times quickly, within three seconds. (ON-OFF-ON-OFF-ON-OFF)
2. Continue cycling power quickly, going through all color options twice. This will take at least 16 power cycles.
3. After all colors have been displayed twice, all lamps will reset to White, the default color, and will not continue to change colors. Once all lamps are only displaying white backlights, leave the power on for 5 seconds to save the White color.
4. All lamps are now set to White again. You may proceed to program your desired backlight color as normal.

Please contact **Diode Dynamics** should you have any questions about the installation or wiring process, at **314-205-3033** (10a-5p CST) or **contact@diodedynamics.com**.