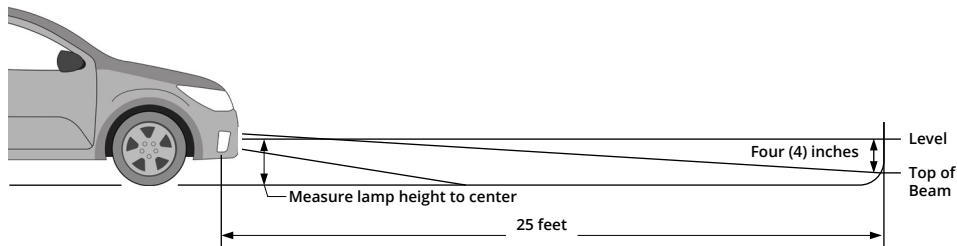


7. Park your vehicle 25 feet away from a wall or garage door on a level surface.
8. Loosen the 5/32" allen bolts on each side of your SS3 pod, just enough to allow you to adjust the pod.
9. On your vehicle, measure the distance between the ground and the center of your SS3 pod. This is your mounting height.
10. Mark the mounting height on the wall or garage door using tape.
11. Add another piece of tape four inches below the mounting height. This is your fog light cutoff line.
12. Aim your SS3 pods on each side, so that the top of the beam pattern is on the cutoff line mark.
13. Tighten the 5/32" allen bolts back down to complete the installation. Do not overtighten or use power tools to torque them down.



NOTE: After aiming, there may be a small gap at the bottom of the LED pod. This is normal.

STAGE
SERIES
RALLY-QUALIFIED LED LIGHTING

SS₃ 3" LED Pod
Type A Foglight Kit



This installation guide is for the following SKUs:

DD6176 Worklight SS3 Sport Type A Kit White SAE Driving
DD6177 Worklight SS3 Sport Type A Kit White SAE Fog
DD6179 Worklight SS3 Sport Type A Kit Yellow SAE Fog
DD6180 Worklight SS3 Pro Type A Kit White SAE Driving

DD6181 Worklight SS3 Pro Type A Kit White SAE Fog
DD6183 Worklight SS3 Pro Type A Kit Yellow SAE Fog
DD6684 Worklight SS3 Max Type A Kit White SAE Fog
DD6685 Worklight SS3 Max Type A Kit Yellow SAE Fog

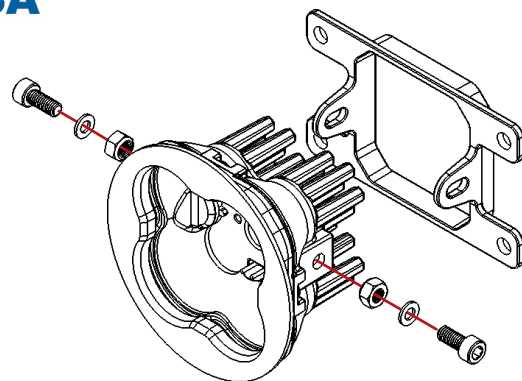
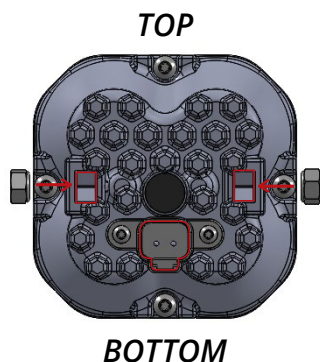


Thank you for your purchase of our new SS3 Type A Foglight Kit. CAD-designed to use existing mounting points, this kit is compatible with many Acura, Ford, Honda, Nissan, and Subaru models. Basic installation instructions are included below.

Please contact us if you have any questions.

COMPUTER DESIGNED
OEM FITMENT

ASSEMBLED IN
USA



Left and Right Sides



1. Install the supplied nuts into the pod housing with the nylon facing inward. Attach the bracket to the pod using the supplied screws and washers. Make sure the bracket is in the correct orientation. See diagrams above. Ensure that the screws are tightened such that the pod retains its position, but can pivot with force for aiming.



2. Access your factory fog lights. Usually it is easiest to pull back the wheel well liner and reach to the lights.



3. Disconnect the fog light connector from the vehicle wiring harness. Remove the factory fog light housing. The factory hardware will be reused.



4. Install your new SS3 pod using the factory hardware. The tabs and holes on the bracket should align with the mounting points of the factory fog light housing. Re-use the factory hardware, tightening securely.



5. Use the included wire adapters to connect the pod to the vehicle wiring harness. Test function. If the light does not turn on, try flipping the connector 180°.



6. Repeat the steps on the other side of the vehicle.

See back for aiming instructions.



Rely only on high-grade off-road lights offered on our virtual shelves.