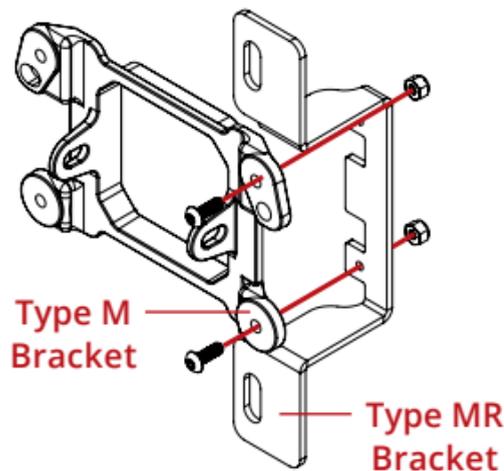


Type MR Bracket Instructions

Using the included hardware, attach the steel Type MR bracket to the side of the plastic Type M bracket.

Attach the second steel bracket to the opposite side of the other lamp.

When you are finished, you should have one lamp with the steel bracket on the right side, and the other lamp with a steel bracket on the left side.



Passenger/Right Side (opposite for driver/left side)