



Fuel Filtration

Filter Dia. 93 mm / 3.54 in. x 1 in.-14



Flow Range: Up to 420 lph / 111 gph

Operating Pressure

210 kPa / 0-30 psi (primary)
690 kPa / 0-100 psi (secondary)

Temperature Range

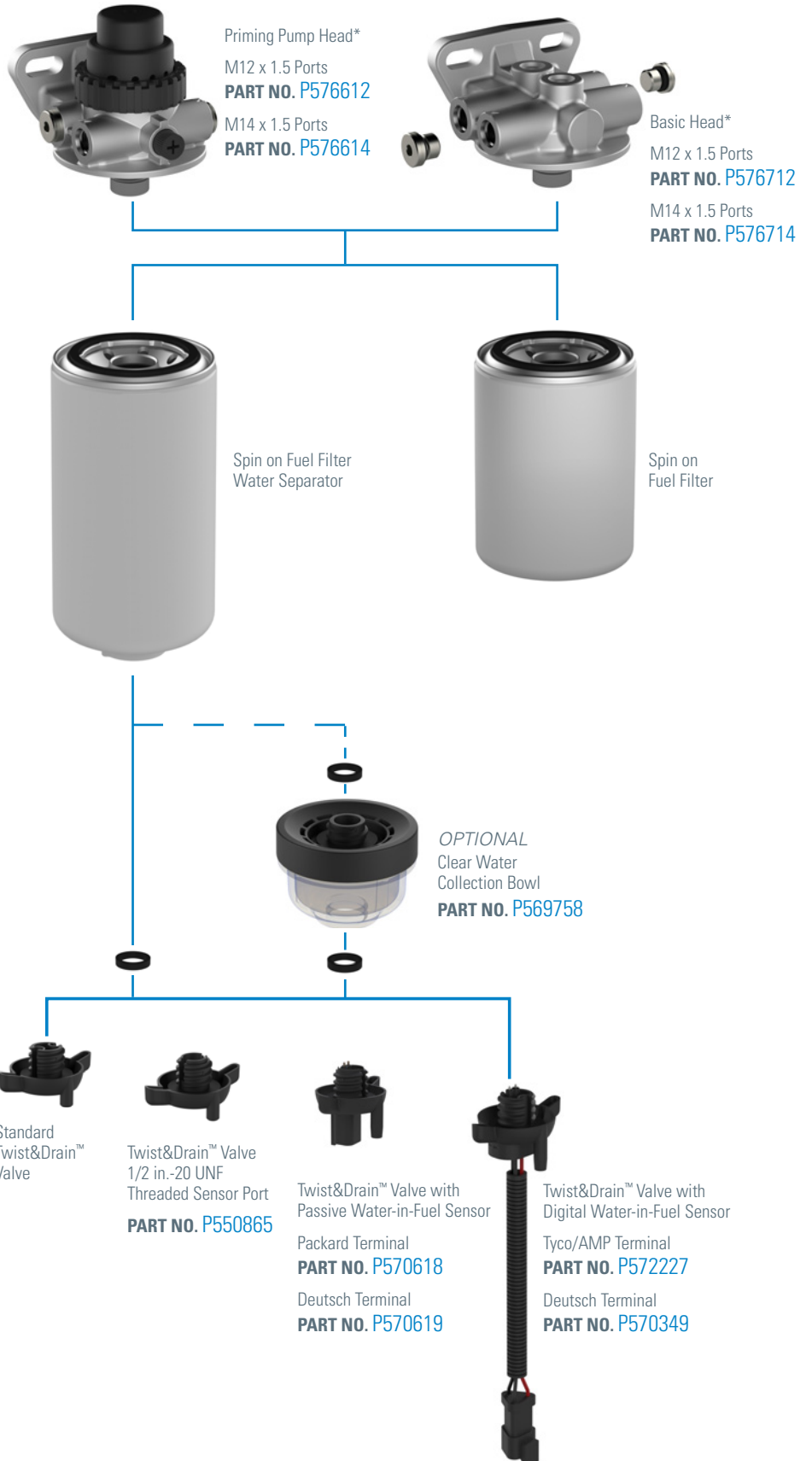
-40° to 121 °C / -40 °F to 250 °F

Flow Rate

Up to 420 lph / 111 gph
See table for filter flow rates

Fuel Compatibility

#1 or #2 Diesel, Kerosene,
Biodiesel up to B20 and JP8



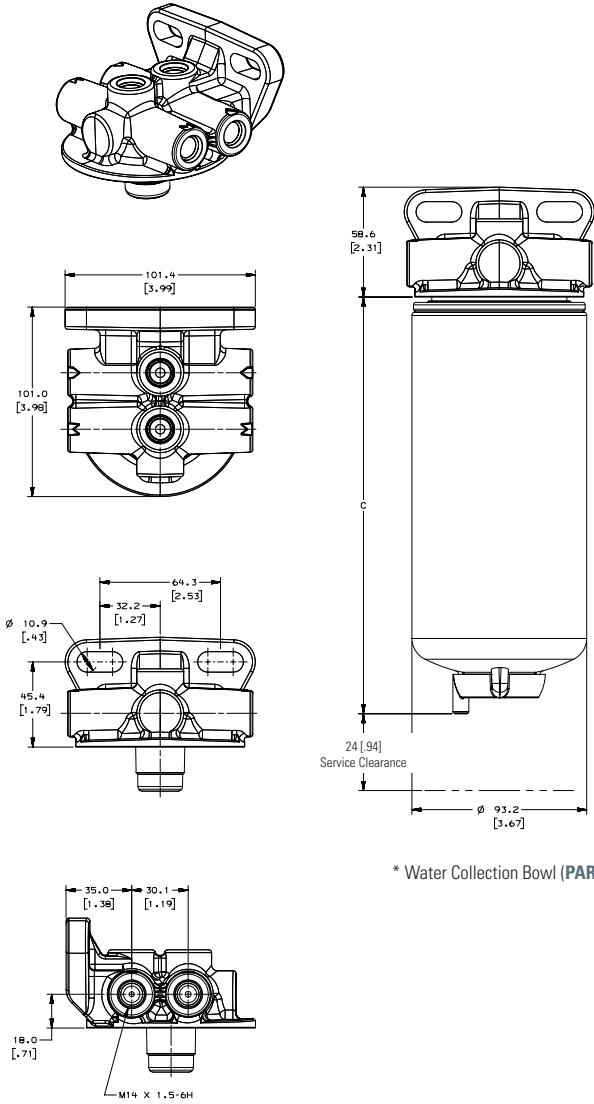
**OPTIONAL*
Filter indicators and switches available.
See following page for options.



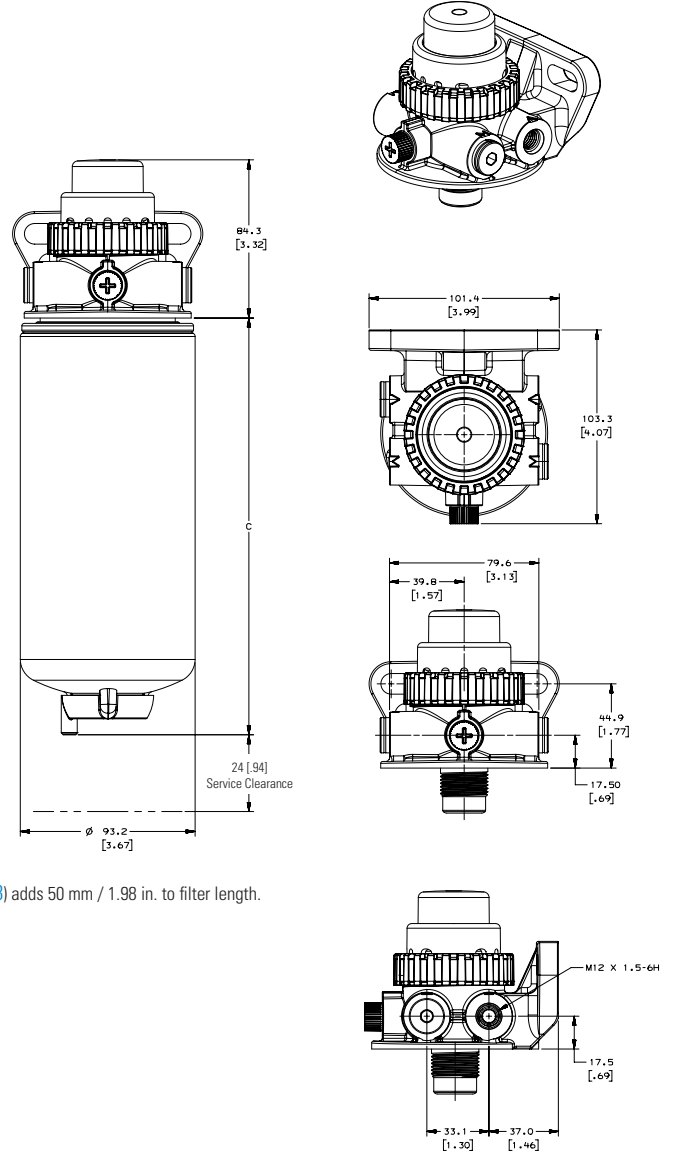


Specification Illustrations

BASIC HEAD






PRIMING PUMP HEAD



* Water Collection Bowl (PART NO. P569758) adds 50 mm / 1.98 in. to filter length.



Filter Selection Chart

Filter Style	Maximum Recommended Flow Rate		(C) Filter Length*		Media Type	Efficiency @ 99%	Stand Tube	Part Number	Performance Curve		
	lph	gph	mm	in							
Standard Drain 	341	90	187	7.38	Synteq	10 µm	No	P550847	E		
							Treated Cellulose	15 µm	No	P558000	E
					193	7.61	Treated Cellulose	3 µm	No	P553203	E
	379	100	195	7.68	Synteq	10 µm	Yes	P551001	G		
			219	8.64	Synteq	10 µm	No	P553201	G		
					Treated Cellulose	3 µm	No	P553207	F		
	420	111	246	9.70	Synteq	10 µm	Yes	P551000	K		
			247	9.71	Treated Cellulose	7 µm	Yes	P550901	K		
Drain Valve for Deutsch WIF Sensor 	379	100	213	8.40	Synteq	10 µm	No	P550848	H		
			239	9.40	Synteq	10 µm	Yes	P551103	K		
No Drain 	150	40	107	4.22	Cellulose	25 µm	No	P550104	B		
	227	60	136	5.35	Cellulose	17 µm	No	P552251	C		
					Cellulose	25 µm	No	P550105	C		
	303	80	174	6.85	Cellulose	9 µm	No	P557440	A		
					Cellulose	25 µm	No	P553854	D		
	379	100	177	6.95	Cellulose	3 µm	No	P551313	F		
			188	7.40	Cellulose	25 µm	No	P550106	G		
			200	7.87	Cellulose	9 µm	No	P555627	F		
	420	111	221	8.69	Cellulose	15 µm	No	P552253	K		
			240	9.43	Cellulose	3 µm	No	P551311	I		
Cellulose	9 µm	No			P551712	J					

Indicator Selection Chart

Type / Material	Setting	Thread	Part Number
VISUAL / MECHANICAL INDICATORS			
ENi Plated Steel Thread / Chemical Resistant Nylon	10 inHg	M12x1.5 Male	JG56501-00410
ELECTRICAL SWITCHES			
ZnNi Plated Steel Thread	10 inHg	M12x1.5 male	JG56389-00610*
WIRE HARNESS ADAPTORS			
Packard for Switches / Flying Leads	N/A	N/A	P633875



* Lead times apply. Please contact your Donaldson sales representative for lead time details.



Performance Curves

