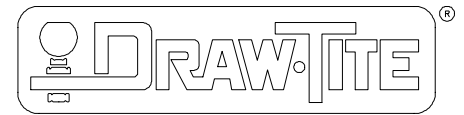


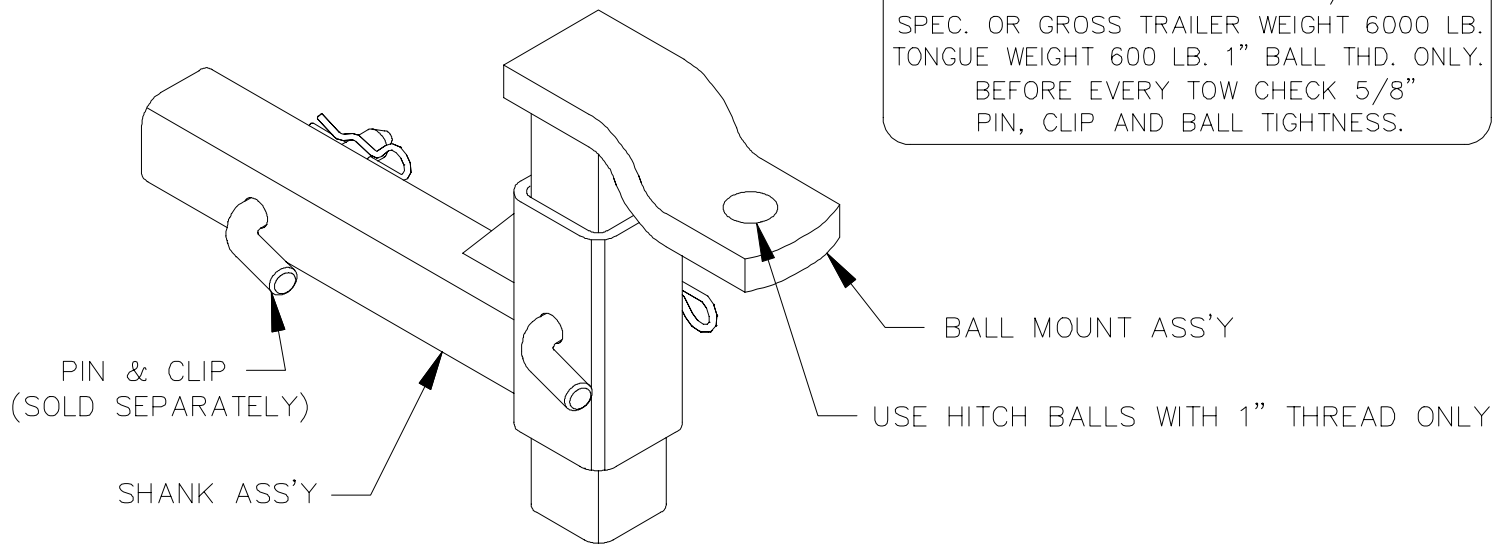
# INSTALLATION INSTRUCTIONS

## ADJUSTABLE BALL MOUNT

PART NUMBER: 6580



MAX LOADS LOWER OF VEHICLE/RECEIVER SPEC. OR GROSS TRAILER WEIGHT 6000 LB. TONGUE WEIGHT 600 LB. 1" BALL THD. ONLY. BEFORE EVERY TOW CHECK 5/8" PIN, CLIP AND BALL TIGHTNESS.



1. INSERT SHANK ASS'Y INTO HITCH RECEIVER AND ATTACH PIN & CLIP (SOLD SEPARATELY).
2. INSERT BALL MOUNT ASS'Y INTO THE SHANK ASS'Y, ADJUST TO PROPER HEIGHT AND ATTACH PIN & CLIP (HEIGHT ADJUSTMENT IS IN INCREMENTS OF 1.50 INCHES).

NOTE: SEE FIGURE 1 FOR MAXIMUM DROP POSITION AND FIGURE 2 FOR MAXIMUM RISE POSITION. DO NOT POSITION AS SHOWN IN FIGURE 3.

FIG 1  
MAX. DROP POSITION

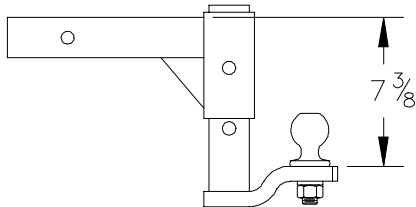
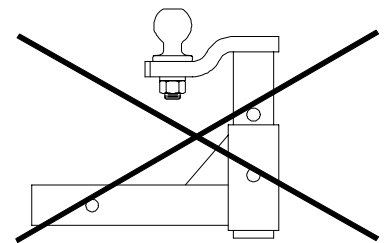


FIG 2  
MAX. RISE POSITION



FIG 3  
POSITION FOR STORAGE ONLY.  
NOT TO BE USED IN THIS  
POSITION FOR TOWING.



NOTE: CHECK FOR PROPER BALL MOUNT HEIGHT WITH VEHICLE & TRAILER LOADED FOR TRAVEL. AT PROPER ADJUSTMENT THE TRAILER COUPLER & TONGUE SHOULD BE LEVEL WITH THE GROUND. (SEE FIGURE 4)

