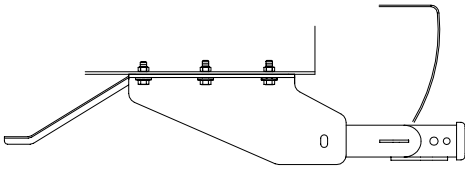


# Installation Instructions

## Jeep Liberty

Part Numbers:  
**75578**  
**87450**  
**44585**  
**UHI78262**



### Hitch Shown In Proper Position

**Equipment Required:**

**Fastener Kit:** 75578F

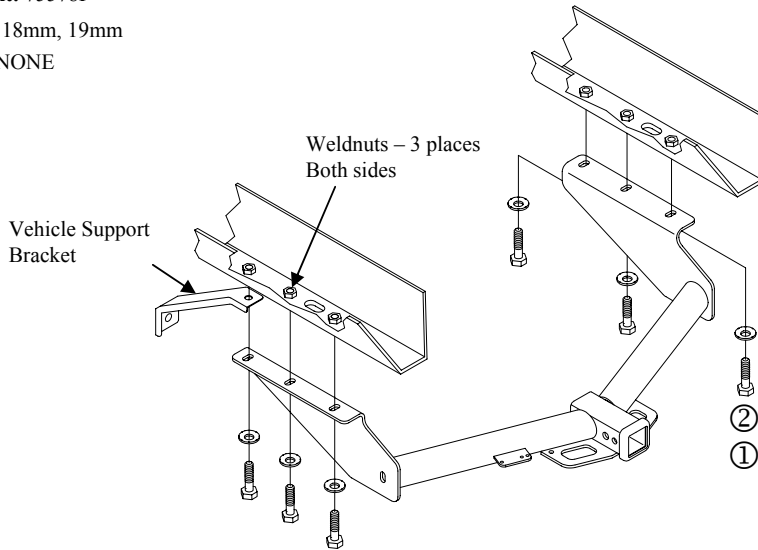
**Wrenches:** 18mm, 19mm

**Drill Bits:** NONE

**Do Not Exceed Lower of Towing Vehicle  
 Manufacturer's Rating or**

Hitch type	Max Gross Trailer WT (LB)	Max Tongue WT (LB)
Weight Distributing	<b>7500 (3405 Kg)</b>	<b>750 (341 Kg)</b>
Weight Carrying Ball Mount	<b>5000 (2268 Kg)</b>	<b>500 (227 Kg)</b>

**Wiring Access Location:** SUV 1 & 2



<b>①</b>	Qty. (6)	Hex Bolt M12 X 1.75 X 40mm CL 10.9	<b>②</b>	Qty. (6)	Conical Toothed Washer 1/2
----------	----------	------------------------------------	----------	----------	----------------------------

1. Remove bolt from driver's side vehicle support bracket and return to vehicle owner.
2. Raise hitch into position.
3. Position hitch over frame & support bracket (driver's side) and loosely install the six M12 bolts and conical toothed washers as shown.
4. Tighten all fasteners to 89 Lb-Ft (121 N\*M).

Tighten all M12 CL 10.9 fasteners with torque wrench to 89 Lb.-Ft. (121 N\*M)

Note: check hitch frequently, making sure all fasteners and ball are properly tightened. If hitch is removed, plug all holes in trunk pan or other body panels to prevent entry of water and exhaust fumes. A hitch or ball which has been damaged should be removed and replaced. Observe safety precautions when working beneath a vehicle and wear eye protection. Do not cut access or attachment holes with a torch.