

Installation Instructions

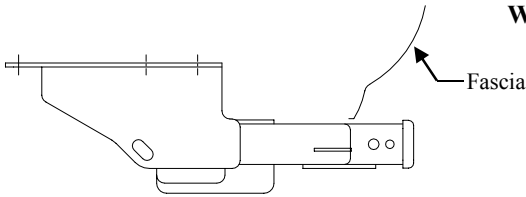
Part Numbers:

Toyota Highlander
Toyota Highlander Hybrid
 Will not fit with full size 19" spare.

75586

44587

87452



**Do Not Exceed Lower of Towing Vehicle
 Manufacturer's Rating or**

Hitch type	Max Gross Trailer WT (LB)	Max Tongue WT (LB)
Weight Distributing	5000 Lb. (2270 Kg)	500 Lb. (227 Kg)
Weight Carrying Ball Mount	5000 Lb. (2270 Kg)	500 Lb. (227 Kg)

Hitch Shown In Proper Position

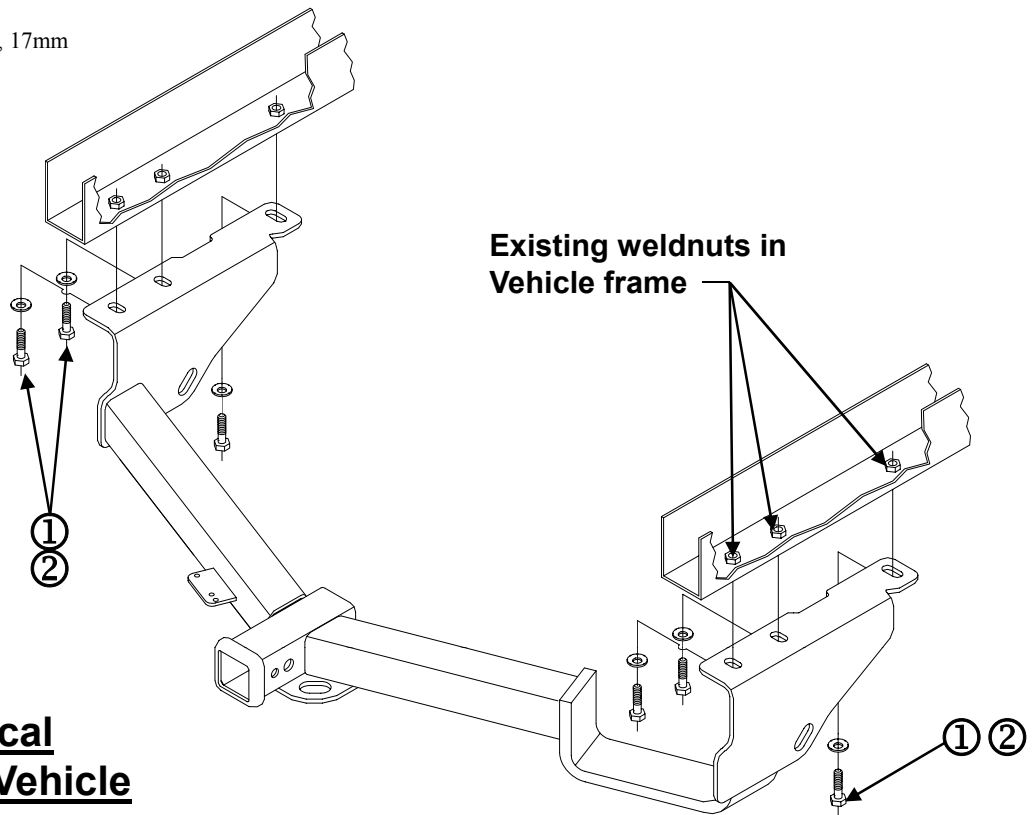
Equipment Required: Small Flat Head Screwdriver, Phillips head Screwdriver

Fastener Kit: 75586F

Wrenches: 10mm, 14mm, 17mm

Drill Bits: None

Wiring Access Location: SUV3, SUV4



Fasteners typical Both sides of Vehicle

①	Qty. (6)	Hex Bolt – M10 x 1.25 x 30mm CL10.9	②	Qty. (6)	Conical Toothed Washer – 3/8"
---	----------	-------------------------------------	---	----------	-------------------------------

1. Remove plastic appearance panels which cover driver's and passenger's side frame rails. Return appearance panels and fasteners to vehicle owner.
2. Remove tow hooks from each frame rail and return hooks and fasteners to vehicle owner.
3. Raise hitch into position and install fasteners as shown.

Tighten all M10 x 1.25 CL10.9 fasteners with torque wrench to 42 Lb.-Ft. (57 N*M)

Tighten all M10 x 1.25 CL10.9 fasteners with torque wrench to 42 Lb.-Ft. (57 N*M)

Note: check hitch frequently, making sure all fasteners and ball are properly tightened. If hitch is removed, plug all holes in trunk pan or other body panels to prevent entry of water and exhaust fumes. A hitch or ball which has been damaged should be removed and replaced. Observe safety precautions when working beneath a vehicle and wear eye protection. Do not cut access or attachment holes with a torch.