

# Installation Instructions

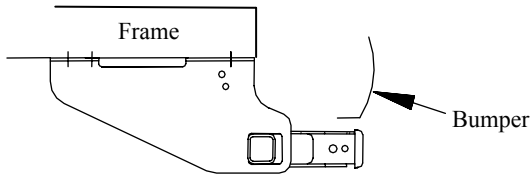
Part Numbers:

75420

44536

82534

## Dodge Ram Trucks-all without O.E.M. hitch



### Hitch Shown In Proper Position

Do Not Exceed Lower of Towing Vehicle  
Manufacturer's Rating or

Hitch type	Max Gross Trailer WT (LB)	Max Tongue WT (LB)
Weight Distributing	10,000 (4540 Kg)	1,000 (454 Kg)
Weight Carrying Ball Mount	6,000 (2724 Kg)	600 (272 Kg)

Wiring Access Location: PU 3

### Equipment Required:

Fastener Kit: 75420F

Wrenches: 3/4", 7/8"

Drill Bits: None

**NOTE!** Orient blocks (Item 10) as shown

Fishwire carriage bolts thru slots in frame; both sides. See figure 3.

Use these holes for long-bed.

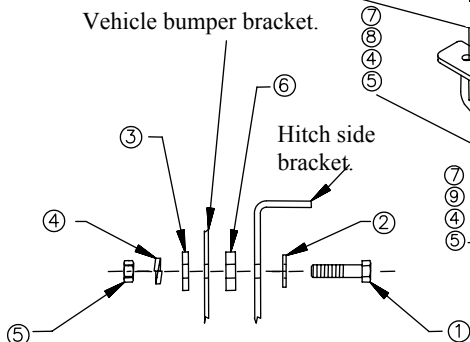
Use these holes for short-bed.

**NOTE!** Use blocks (Item 10) on long box 2500 & 3500 only.

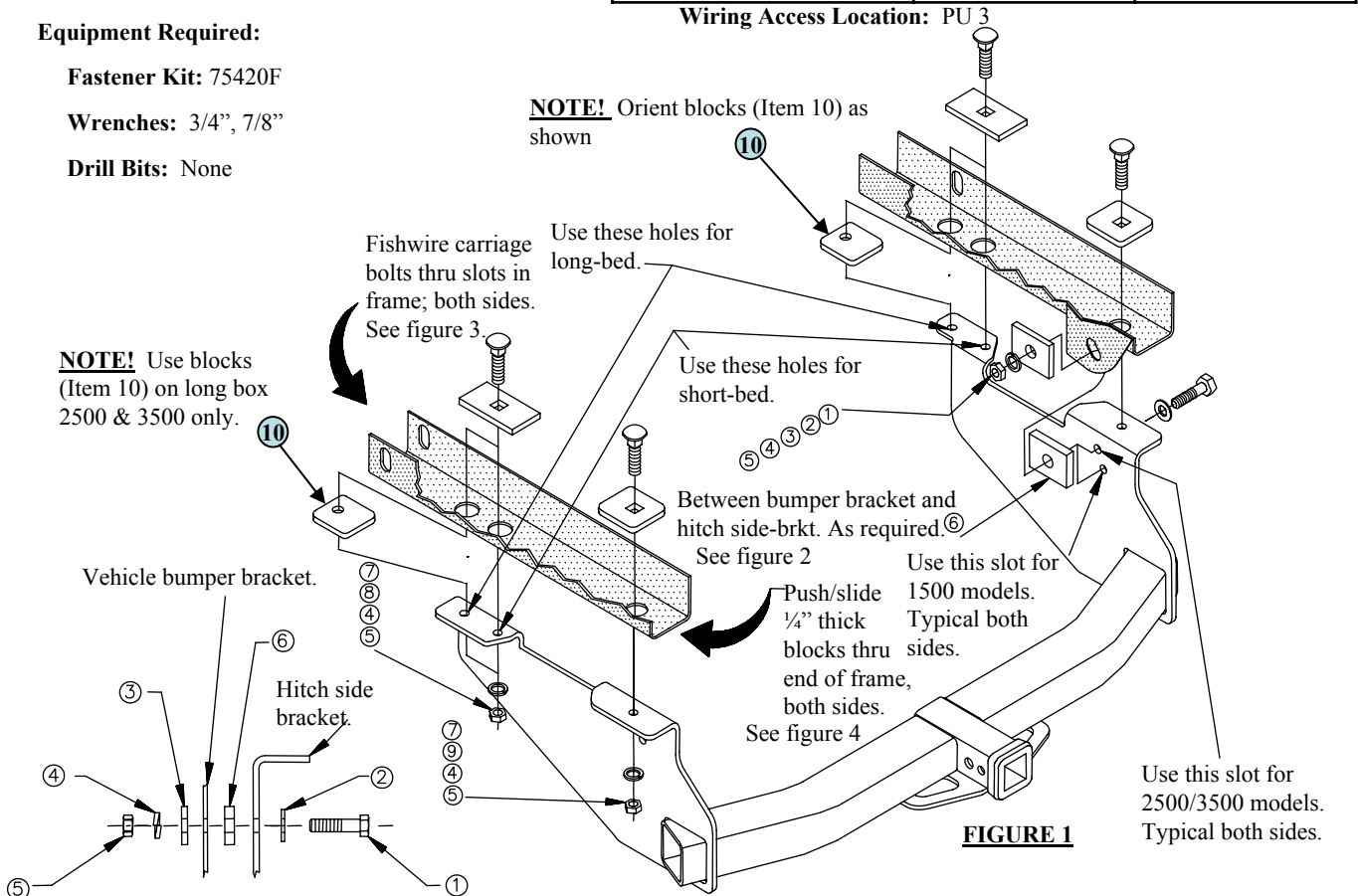
Between bumper bracket and hitch side-brkt. As required. ⑥  
See figure 2

Use this slot for 1500 models. Typical both sides.  
Push/slide 1/4" thick blocks thru end of frame, both sides.  
See figure 4

Use this slot for 2500/3500 models. Typical both sides.



**FIGURE 2**



**FIGURE 1**

①	Qty. (2)	1/2"-13 X 2 1/4" GR. 5 Hex Bolt	⑥	Qty. (2)	3/8" X 1-1/2" X 3" Block, (use as needed)
②	Qty. (2)	1/2" Flat Washer	⑦	Qty. (4)	1/2"-13 X 1-3/4" GR. 5 Carriage Bolt
③	Qty. (2)	1/4" X 1-1/2" X 2" Block	⑧	Qty. (2)	1/4" X 1-1/2" X 3" Block
④	Qty. (6)	1/2" Lockwasher	⑨	Qty. (2)	1/4" X 2" X 2" Block-square hole
⑤	Qty. (6)	1/2" Hex Nut	⑩	Qty. (2)	3/16" X 2-1/8" X 2-1/8" Block-round hole, (2500 & 3500 long box only)

Cequent



# Installation Instructions

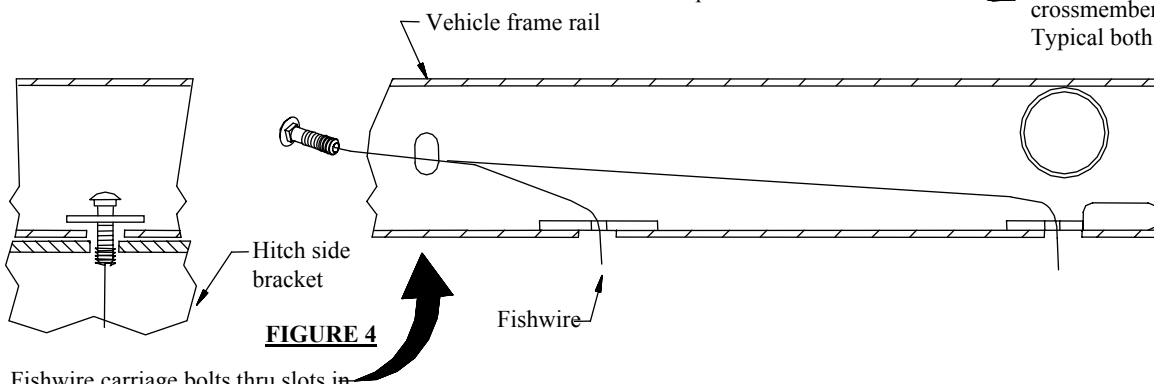
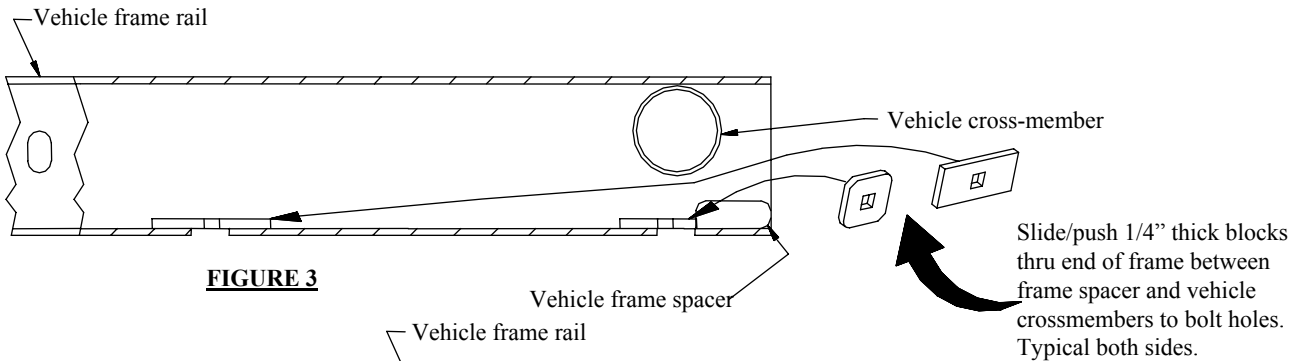
Part Numbers:

75420

44536

82534

## Dodge Ram Trucks-all without O.E.M. hitch



Fishwire carriage bolts thru slots in frame to bolt holes. (2) per side. Typical both sides

1. Raise hitch into position by moving hitch forward to clear bumper mounting bolts and then sliding hitch rearward into position, aligning holes in hitch with large holes in frame rails and slot in vehicle bumper bracket as shown in [Figure 1](#). **Note:** On short-box models align center hole in hitch with hole in frame. On long-box models align forward hole in hitch with hole in frame. Only one forward attachment is necessary per side, either the center hitch hole or forward hitch hole.
2. Install hex bolt and flat washer thru slot in hitch side bracket into slot in bumper bracket, each side. Use the slot that aligns with slot in vehicle bumper bracket depending on if truck is a 1500 or 2500 model. (See [Figures 1 & 2](#).) Install fasteners as shown. Use 3/8" thick block if necessary between hitch side bracket and vehicle bumper bracket.
3. Slide/push 1/4" x 1-1/2" X 3" blocks and 1/4" X 2" X 2" blocks thru end of frame between frame spacer and vehicle crossmember and align with holes in hitch side bracket, (See [Figure 3](#).) Fishwire carriage bolts thru slot in frame rail and down thru blocks and side brackets, See [Figure 4](#). Install fasteners as shown. **Note:** On some models it may be possible to install rearmost carriage bolt thru end of vehicle crossmember and down thru block and frame rail into hitch side brackets.