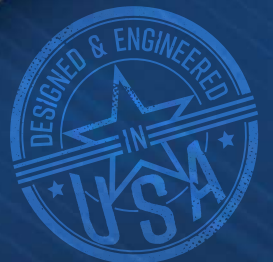


DS18[®]

WE LIKE IT LOUD



DS18®

DS18 is a leading electronics manufacturer specializing in Mobile, Marine & Home Electronic equipment with its headquarters in Miami, FL, USA. DS18 was created and developed by a team of young and determined professionals who understand the needs in today's audio industry.

Offering several series of amplifiers, speakers, subwoofers, tweeters, midrange, cables, accessories, component sets and much more. DS18 guarantees to satisfy customers seeking a wide assortment of products.

The DS18 brand stands out from other lines in its progressive designs and "never-stop-innovating" attitude. Our team takes your feedback as a command to constantly improve and keep-up with all new trends in order to deliver the most technologically up-to-date products in the market. We are here to revolutionize the market capitalizing on what the other guys failed to do right: Delivering a Sophisticated, trendy product line that people demand and love (and continue doing so on a regular basis). We promise to never stop refreshing our product lines with the coolest designs and technology available so you can always have the most outstanding products technology can offer. Think of DS18 as that "new cool kid" in the block that makes all the old-school brands uneasy, and we do it with your feedback and our creativity, quality, pricing, and kick-ass "never-stop-innovating" attitude.

Without further ado, please take some time to be inspired by our 2019 line-up. From all of us at team DS18, we thank you for your support, business, and consideration!

TROUBLEMAKER **HOLIGANX** **LIFESTYLE**
EXL **HYDRO** **VISION** **GEN-X**
SELECT **PRO** **CANDY** **ELITE**
TECHNOLOGIES **DS18** **INFINITE**



TABLE OF CONTENTS

Multimedia	4	Installation Accessories	82
Remote Controls	5	Battery Terminals	84
Sound Quality	6	Installation Kits	85
Coaxials	8	Cables	86
Pro Audio	12	Cameras	88
Jeep Audio	28	MTL	90
Subwoofers	33	Infinite	91
Sound Packages	45	Hydro	94
Sub Boxes	48	Hydro Speakers	97
Amplifiers	50	Hydro Soundbars	102
Audio Processors	60	Hydro Subwoofers	104
Audio Integration	64	Hydro Amplifiers	106
Accessories	66	Hydro Accessories	108
Tweeters	67	Hydro Dimensions	110
Drivers	73	Vision	116
Horns & Diffusers	76	Lifestyle	117
Grills & Rings	79	On the Road	118
Diaphragms	81	POP	119

DOUBLE DIN DVD PLAYERS



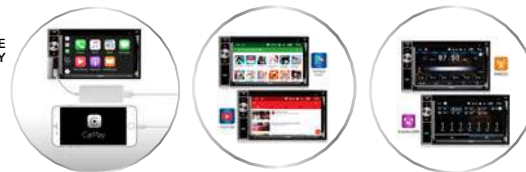
DDX6.2AD

ANDROID OS 6.2"

- 6.0.1 Android Operating System with 2GB RAM / 16 GB ROM Memory
- Double-Din in Dash Mounting - Perfect Fit
- Capacitive Touch Screen - 800x480 Resolution
- Support 1080P Video Display
- Built-in WiFi & GPS Navigation System
- Play Media Files: DVD, RMVB, MPG4 Divx-AVI, SVCD, VCD, MP3, WMA, CD-R/WR, JPEG
- AM/FM Radio with 30 Memory Stations
- Wireless BT Hands-Free Function
- External Microphone and 1 USB Extension Cord Included
- Front AUX-IN
- Dynamic Multicolor Illumination
- Wireless Remote Control
- Wired Remote Control (Steering Wheel)
- MAX 40W x 4 Channel High Output Power
- 3.8V Pre-Out (Front, Rear & Subwoofer)
- 7 Bands Graphic Equalizer (60Hz, 150Hz, 400Hz, 1KHz, 3KHz, 6KHz, 15KHz)
- Volume/Balance/Fader Control
- Mirror-Link Support for Android/iOS Phones
- 1A Charging/Data USB Port x3
- Supports USB & SD Card Slot Up to 64GB



CAR PLAY CABLE SOLD SEPARATELY



DDX6.2LX

LINUX OS 6.2"

- Advanced Linux Operating System with 2GB Memory
- Double-Din in Dash Mounting - Perfect Fit
- Capacitive Touch Screen - 800x480 Resolution
- Supports 1080P Video Display
- Play Media Files: DVD, RMVB, MPG4 Divx, AVI, SVCD, VCD, MP3, WMA, CD-R/WR, JPEG
- AM/FM Radio with 30 Memory Stations
- Wireless BT Hands-Free Function
- External Microphone and USB Extension Cord Included
- Mirror-Link with QR Code for iOS and Android Phones
- Dynamic Multi Color Illumination
- Front AUX-IN
- Wireless Remote Control
- Wired Remote Control (Steering Wheel)
- MAX 40W x 4 Channel High Output Power
- 3.8V Pre-Out (Front, Rear & Subwoofer)
- 8 Bands Graphic Equalizer (60Hz, 150Hz, 400Hz, 1KHz, 3KHz, 7KHz, 15KHz, 20KHz)
- Volume/Balance/Fader Control/ Subwoofer Control (Level, ON/OFF)
- 1A Charging/Data USB Port x3
- Supports USB & SD Card Slot up to 64GB



DDX6.2

WINCE OS 6.2"

- Double-Din in Dash Mounting - Perfect Fit
- Capacitive Touch Screen - 800x480 Resolution
- Supports 1080P Video Display
- Media Files: DVD, RMVB, MPG4 Divx, AVI, SVCD, VCD, MP3, WMA, CD-R/WR, JPEG
- AM/FM Radio with 30 Memory Stations
- Wireless BT Hands-Free Function
- External Microphone Included
- Mirror-Link Software is Supported by Android Phones
- Front AUX-IN
- Dynamic Multicolor Illumination
- Wireless Remote Control
- Wired Remote Control (Steering Wheel)
- MAX 40W x 4 Channel High Output Power
- 3.8V Pre-Out (Front, Rear & Subwoofer)
- 10 Bands Graphic Equalizer (32Hz, 64Hz, 128Hz, 256Hz, 512Hz, 1KHz, 2KHz, 4KHz, 8KHz, 16KHz)
- Volume/Balance/Fader Control/ Subwoofer Control, LPF Selectable (80Hz, 120Hz, 160Hz, OFF)
- 1A Front Charging/Data USB Port
- USB & SD Card Slot Up to 64GB



USE THIS DS18 APP TO CONTROL YOUR MUSIC



LONG DISTANCE REMOTE CONTROLS



SWLDC1.2 STEERING WHEEL AND REMOTE CONTROL COMBO

SWC1.2: Steering Wheel Control

- 6 Buttons with programmable functions that allows to control main functions of the "player" such as music, folder change, volume, pause, play and power
- Switch Functions such as Aux, CD, USB and Radio

LDC1.2WR: Long Distance Sound Control

- 8 Buttons with programmable functions that allows to control main functions of the "player" such as music, folder change, volume, pause, play and power
- Switch Functions such as Aux, CD, USB and Radio
- Up to 1200 Meters reach in open area even when there is High RF Interference
- Code IR to match any radio

LDC1.2WR AVAILABLE IN 6 COLORS:

- White with Red buttons
- Blue with White buttons
- White with Black buttons
- Black with Red buttons
- Red with Black buttons
- Black with Black buttons

THIS PACKAGE CONTAINS:

- 1 SWC1.2
- 1 LDC1.2WR
- 1 Receiver CR1.2
- 1 Cordon key chain



LDC1.2WR



CR1.2



SWC1.2

LDC1.2WR 1200 METERS DISTANCE RANGE

Long Distance Sound Control

- 8 Buttons with programmable functions that allows to control main functions of the "player" such as music, folder change, volume, pause, play and power
- Switch Functions such as Aux, CD, USB and Radio
- Up to 1200 Meters reach in open area even when there is High RF Interference
- Code IR to match any radio
- Wire Remote Output to connect behind the Radio (Radio W/R input required)

LDC1.2WR AVAILABLE IN 6 COLORS:

- White with Red buttons
- Blue with White buttons
- White with Black buttons
- Black with Red buttons
- Red with Black buttons
- Black with Black buttons

THIS PACKAGE CONTAINS:

- 1 LDC1.2WR
- 1 Receiver CR1.2
- 1 Cordon key chain



LDC1.2WR



DDX6.2LX



DELUXE COMPONENT SETS



DELUXE3C

3 WAY COMPONENT SET

Passive Crossover (PAIR)

- 48dB Passive Crossover
- 3-Way for Car Audio Speaker Systems
- 250 Watts RMS Power
- 500 Watts MAX Power
- Gold Plated Screw Terminals
- Ferrite and Air Cooled Spools
- Copper Foil Inductance
- Tweeter Frequency: 720Hz-20KHz
- Midrange Frequency (Adjustable): 256Hz-7.8KHz
- Woofer Frequency (Adjustable): 20Hz-800Hz
- High Grade Polymer Capacitors
- Tweeter Intensity Selector (0/-3dB)
- Bi-Wire capability (Separate Amp Input)

1" Dome Tweeter (PAIR)

- High strength Neodymium Magnet
- 1" High Temperature KVC
- 30 Watts RMS Power
- 60 Watts MAX Power
- Frequency Response: 920-20KHz
- Sensitivity: 95.2dB
- Impedance: 4 ohm

4" Midrange (PAIR)

- Red finish Aluminum Basket
- High Strength Neodymium Magnet
- 2.0" High Temperature Kapton Voice Coil
- 50 Watts RMS Power
- 100 Watts MAX Power
- Frequency Response: 370-5.5 KHz
- Sensitivity: 94.2dB
- Impedance: 4 ohm

6.5" Woofer (PAIR)

- Black finish Aluminum Basket
- 28 oz High Strength Ferrite Magnet
- 1.5" High Temperature Kapton Voice Coil
- Rubber Edge & Red Kevlar Cone
- 200 Watts RMS Power
- 400 Watts MAX Power
- Frequency Response: 65-2KHz
- Sensitivity: 89dB
- Impedance: 4 ohm

GRILLS INCLUDED



COMPONENT SETS



SQCOMP COMPONENT SPEAKER 4 OHM 6.5"

Component Speaker: SQCOMP (PAIR)

- RMS Power: 60 Watts
- MAX Power: 180 Watts
- Frequency Response: 45Hz - 20KHz
- Sensitivity: 91dB
- Impedance: 4 ohm
- Mounting Depth: 2.55"/65mm
- Mounting Diameter: 5.31"/135mm
- Mode of Frequency Division: 2-Way
- Magnet: Neodymium
- Woofer Voice Coil: $\Phi 1.2"$
- Cone Structure: Integrated Structure
- Woofer Cone: Polymerization Resin + High Foam Edge / Tweeter: Silk Film Dome

Tweeter: SQTW 1.10" (PAIR)

- RMS Power: 40 Watts
- MAX Power: 120 Watts
- Frequency: 2K-20KHz
- Sensitivity: 88dB
- Impedance: 4 ohm
- Voice coil Diameter: 1.1" Voice Coil
- Former Material: ASV
- Diaphragm Material: Silk Dome
- Basket Material: Plastic
- Magnet Material: Neodymium

Crossover Specifications:

- Tweeter Crossover (HP):
 - Frequency Crossover: 3.5KHz
 - dB/OCT Crossover: 12dB
- Woofer Crossover (LP):
 - Frequency Crossover: 3.5KHz
 - dB/OCT Crossover: 6dB

SQCOAX COAXIAL SPEAKER 4 OHM 6.5"

- Mode of Frequency Division: 2-Way
- RMS Power: 60 Watts
- MAX Power: 180 Watts
- Frequency Response: 45Hz - 20KHz
- Sensitivity: 91dB
- Mounting Depth: 2.71"/69mm
- Mounting Diameter: 5.31"/135mm
- Magnet: Neodymium

- Cone:**
- Woofer: Bulletproof Fabric + Rubber Edge
 - Tweeter: Silk Film Dome

- Voice Coil:**
- Woofer: $\Phi 1.2"$ • Tweeter: $\Phi 0.78"$
 - Cone Stand Structure: Integrated Structure



2-WAY COAXIALS

GLASS FIBER CONE - RUBBER EDGE - 3 OHM

EXL-SQ4

4"

- 60 Watts RMS Power
- 260 Watts MAX Power
- Frequency Response: 115-22KHz
- Sensitivity: 85dB/w/m
- Voice Coil: 1" BASV
- 0.83" PEI Dome Tweeter with Neodymium Magnet
- Magnet: Strontium 9 oz

EXL-SQ5.25

5.25"

- 80 Watts RMS Power
- 340 Watts Max Power
- Frequency Response: 100-22KHz
- Sensitivity: 86dB/w/m
- Voice Coil: 1" BASV
- 0.83" PEI Dome Tweeter with Neodymium Magnet
- Magnet: Strontium 9 oz

EXL-SQ6.5

6.5"

- 120 Watts RMS Power
- 400 Watts MAX Power
- Frequency Response: 80-22KHz
- Sensitivity: 90dB/w/m
- Voice Coil: 1.3" BASV
- 1.14" PEI Dome Tweeter with Neodymium Magnet
- Magnet: Strontium 13.5 oz

EXL-SQ6.9

6X9"

- 160 Watts RMS Power
- 560 Watts MAX Power
- Frequency Response: 55-22KHz
- Sensitivity: 90dB/w/m
- Voice Coil: 1.3" BASV
- 1.14" PEI Dome Tweeter with Neodymium Magnet
- Strontium 20 oz

COMPONENT SET

BLACK PAPER CONE - PU SURROUND EDGE - 4 OHM

EXL-SQ6.5C

6.5"



Component Speaker: (PAIR)

- RMS Power: 120 Watts
- MAX Power: 400 Watts
- Frequency Response: 45Hz - 22KHz
- Sensitivity: 86dB
- Voice Coil: 1" ASV
- Magnet: Ferrite 10 oz

Tweeter: (PAIR)

- RMS Power: 20 Watts
- MAX Power: 60 Watts
- Frequency: 1-25KHz
- Sensitivity: 90dB
- Voice Coil Diameter: 1"
- Former Material: ASV
- Diaphragm Material: Silk Dome
- Magnet Material: Neodymium

Crossover Network:

- Cut point: 3.5KHz, 12dB/Oct
- Housing Material: ABS

EXL



4"



5.25"



6.5"



6X9"



2-WAY COAXIALS

FRENCH GLASS FIBER CONE - RUBBER EDGE- 4 OHM

Z-354

3.5"

- 40 Watts RMS Power
- 100 Watts MAX Power
- Frequency Response: 150Hz - 20KHz
- Sensitivity: 91dB
- Voice Coil : 0.8"
- Magnet: Ferrite 4 oz

Z-44

4"

- 50 Watts RMS Power
- 120 Watts MAX Power
- Frequency Response: 50Hz-25KHz
- Sensitivity: 91dB
- Voice Coil : 1"
- 0.79" PEI DOME Tweeter
- Magnet: Ferrite 10 oz

Z-464

4x6"

- 60 Watts RMS Power
- 120 Watts MAX Power
- Frequency Response: 50Hz - 25KHz
- Sensitivity: 92dB
- Voice Coil : 1"
- 0.79" PEI DOME Tweeter
- Magnet: Ferrite 10 oz

Z-5254

5.25"

- 60 Watts RMS Power
- 150 Watts MAX Power
- Frequency Response: 50Hz-25KHz
- Sensitivity: 91dB
- Voice Coil: 1"
- 0.79" PEI DOME Tweeter
- Magnet: Ferrite 10 oz

Z-574

5x7"

- 70 Watts RMS Power
- 150 Watts MAX Power
- Frequency Response: 45Hz-25KHz
- Sensitivity: 93dB
- Voice Coil: 1"
- 0.79" PEI DOME Tweeter
- Magnet: Ferrite 12oz

Z-654

6.5"

- 80 Watts RMS Power
- 180 Watts MAX Power
- Frequency Response: 45Hz-25KHz
- Sensitivity: 93dB
- Voice Coil: 1"
- 0.79" PEI DOME Tweeter
- Magnet: Ferrite 14.5 oz

Z-694

6x9"

- 150 Watts RMS Power
- 240 Watts MAX Power
- Frequency Response: 40Hz-25KHz
- Sensitivity: 94dB
- Voice Coil: 1"
- 0.79" PEI DOME Tweeter
- Magnet: Ferrite 20oz

ELITE



3.5"



4"



4x6"



5.25"



5x7"



6.5"



6x9"

2 - WAY COAXIALS

PAPER CONE - RUBBER EDGE - 4 OHM

GEN-X4

4"

- 40 Watts RMS Power
- 120 Watts MAX Power
- Frequency Response: 105~20KHz
- Sensitivity: 83dB/w/m
- Voice Coil: 1" ASV
- Magnet: Ferrite 5.4oz
- 1" Mylar Dome Tweeter

GEN-X4.6

4X6"

- 45 Watts RMS Power
- 135 Watts MAX Power
- Frequency Response: 105-20KHz
- Sensitivity: 83dB/w/m
- Voice Coil: 1" ASV
- Magnet: Ferrite 6.5oz
- 1" Mylar Dome Tweeter

GEN-X5.25

5.25"

- 45 Watts RMS Power
- 135 Watts MAX Power
- Frequency Response: 95-20KHz
- Sensitivity: 84dB/w/m
- Voice Coil : 1"ASV
- Magnet: Ferrite 6.5oz
- 1" Mylar Dome Tweeter

3 - WAY COAXIAL SPEAKERS

PAPER CONE - RUBBER EDGE - 4 OHM

GEN-X5.7

5X7"

- 50 Watts RMS Power
- 150 Watts MAX Power
- Frequency Response: 78-20KHz
- Sensitivity: 85dB/w/m
- Voice Coil: 1" ASV
- Magnet: Ferrite 8 oz
- 1" Mylar Dome Tweeter
- 0.35" Mylar Dome Super Tweeter

GEN-X6.5

6.5"

- 50 Watts RMS Power
- 150 Watts MAX Power
- Frequency Response: 75-20KHz
- Sensitivity: 85dB/w/m
- Voice Coil :1" ASV
- Magnet: Ferrite 8 oz
- 1" Mylar Dome Tweeter
- 0.35" Mylar Dome Super Tweeter

4 - WAY COAXIAL SPEAKERS

PAPER CONE - RUBBER EDGE - 4 OHM

GEN-X6.9

6X9"

- 60 Watts RMS Power
- 180 Watts MAX Power
- Frequency Response: 65-20KHz
- Sensitivity: 87dB/w/m
- Voice Coil: 1.25" ASV
- Magnet: Ferrite 20 oz
- 1.10" Mylar Dome Tweeter
- 0.78" Mylar Dome Super Tweeter
- 1.77" Mylar Dome Mid

COMPONENT SET

PAPER CONE - RUBBER EDGE - 4 OHM

GEN-X6.5C

6.5"

- 50 Watts RMS Power
- 150 Watts MAX Power
- Frequency Response: 76-20KHz
- Sensitivity: 86dB/w/m
- Voice Coil: 1" ASV
- Magnet: Ferrite 8 oz
- 1.5" Silk Dome Tweeter
- Crossover Network Unit: 3.5KHz,12dB/Oct

GEN-X



4"



4X6"



5.25"



5X7"



6.5"



6X9"



6.5"

1.2K

2.4K

5K

10K

20K

HIGH
FREQUENCY

COAXIALS

COAXIAL SPEAKER



4 - WAY COAXIALS

PPI CONE - RUBBER EDGE - 4 OHM

SLC-N4X

4"

- 35 Watts RMS Power
- 140 Watts MAX Power
- Frequency: 100-20KHz
- Sensitivity: 82.4dB/w/m
- Voice Coil: 1"
- Magnet: Ferrite 7.6 oz
- Tweeter: 1.18" Mylar Dome Tweeter
- 2 x 0.47" Piezo Super Tweeter

SLC-N525X

5.25"

- 40 Watts RMS Power
- 160 Watts MAX Power
- Frequency: 80-20KHz
- Sensitivity: 84.5dB/w/m
- Voice Coil: 1"
- Magnet: Ferrite 10 oz
- Tweeter: 1.18" Mylar Dome Tweeter
- 2 x 0.47" Piezo Super Tweeter

SLC-N65X

6"

- 50 Watts RMS Power
- 200 Watts MAX Power
- Frequency: 65-20KHz
- Sensitivity: 84.9dB/w/m
- Voice Coil: 1"
- Magnet: Ferrite 12 oz
- Tweeter: 1.18" Mylar Dome Tweeter
- 2 x 0.47" Piezo Super Tweeter

5 - WAY COAXIALS

PPI CONE - RUBBER EDGE - 4 OHM

SLC-N69X

6X9"

- 65 Watts RMS Power
- 260 Watts MAX Power
- Frequency: 45-20KHz
- Sensitivity: 85.4dB/w/m
- Voice Coil: 1"
- Magnet: 20 oz
- Tweeter: 1.37" Mid High Dome Tweeter
- 1.06" Dome Tweeter
- 0.78" Dome Tweeter
- 0.47" Piezo Super Tweeter

SELECT



4"



5.25"



6"



6X9"





PANCADÃO®

- Hi Performance Mid-Bass Loudspeaker
- Very strong 60 to 250 Hz Reproduction
- Can Reproduce up to 2KHz Vocal Section

MIDBASS



8"



PRO-1KP8.8 8 OHMS

PRO-1KP8.4 4 OHMS

- 1000 Watts RMS Power
- 2000 Watts MAX Power
- Frequency: 110Hz-15KHz
- Sensitivity: 96dB
- Voice Coil: 3"
- Magnet: Ferrite
- Net Weight: 90 oz
- Mounting Depth: 4.33"/110mm

10"



PRO-1.5KP10.8 8 OHMS

PRO-1.5KP10.4 4 OHMS

- 1500 Watts RMS Power
- 3000 Watts MAX Power
- Frequency: 80Hz-10KHz
- Sensitivity: 94dB
- Voice Coil: 3"
- Magnet: Ferrite
- Net Weight: 91oz
- Mounting Depth: 4.8"/122mm

12"



PRO-1.5KP12.8 8 OHMS

PRO-1.5KP12.4 4 OHMS

PRO-1.5KP12.2 2 OHMS

- 1500 Watts RMS Power
- 3000 Watts MAX Power
- Frequency: 60Hz-10KHz
- Sensitivity: 96.5dB
- Voice Coil: 4"
- Magnet: Ferrite
- Net Weight: 150oz
- Mounting Depth: 5.94"/151 mm

12"



PRO-3KP12.4 4 OHMS

PRO-3KP12.2 2 OHMS

- 3000 Watts RMS Power
- 4500 Watts MAX Power
- Frequency: 60Hz-9KHz
- Sensitivity: 95.8dB
- Voice Coil: 4"
- Magnet: Ferrite
- Net Weight: 250 oz
- Mounting Depth: 7.20"/194mm



UP TO...
3000W RMS
4500W MAX

PRO MH

These amazing pro audio speakers were made for Mid Bass and Mid High range accuracy that would rival concert level sound. These beautifully designed Mid Bass and Upper Midrange blasters play frequencies all the way down to 57 Hz while absolutely slaying the highs up to 10KHz. The pressed paper cone is held tightly in place with the pro audio spider and surround while being contained in our red DS18 tooled baskets. Connections are easy with our 8-gauge push terminals to get all the power straight to the 3 - 3.5" Voice Coil. Ranging from 400W RMS to 600W RMS and taking 1200W Peak power these pro audio speakers are a sure hit for your system!



FULL-RANGE



RED ALUMINUM BASKET - PRESSED PAPER CONE

10"

PRO-MH10.8 8 OHMS

PRO-MH10.4 4 OHMS

- RMS Power: 400 Watts
- MAX Power: 800 Watts
- Frequency Response: 88Hz - 6KHz
- Sensitivity: 95.2 dB/W/M
- Voice Coil: 3"
- Magnet: Ferrite
- Net Weight: 82 oz
- Mounting Depth: 4.4" / 112 mm

12"

PRO-MH12.8 8 OHMS

PRO-MH12.4 4 OHMS

- RMS Power: 600 Watts
- MAX Power: 1200 Watts
- Frequency Response: 57Hz- 10KHz
- Sensitivity: 99.2 dB/W/M
- Voice Coil: 3.5"
- Magnet: Ferrite
- Net Weight: 100 oz
- Mounting Depth: 4.92"/125 mm



MIDRANGE



CLOTH EDGE AND NON-PRESSED PAPER CONE

6.5"

PRO-EXL68 8 OHMS

PRO-EXL64 4 OHMS

- 300 Watts RMS Power
- 600 Watts MAX Power
- Frequency Response: 100 - 12.5KHz
- Sensitivity: 92 dB
- Voice Coil: 2"
- Magnet : 32oz Ferrite

8"

PRO-EXL88 8 OHMS

PRO-EXL84 4 OHMS

- 400 Watts RMS Power
- 800 Watts MAX Power
- Frequency Response: 9100- 10KHz
- Sensitivity: 96 dB
- Voice Coil: 2"
- Magnet : 49 oz Ferrite

10"

PRO-EXL108 8 OHMS

PRO-EXL104 4 OHMS

- 600 Watts RMS Power
- 1000 Watts MAX Power
- Frequency Response: 74- 12KHz
- Sensitivity: 97 dB
- Voice Coil: 3"
- Magnet : 80 oz Ferrite

MIDBASS



CLOTH EDGE AND NON-PRESSED PAPER CONE

10"

PRO-EXL108MB 8 OHMS

PRO-EXL104MB 4 OHMS

- 600 Watts RMS Power
- 1000 Watts MAX Power
- Frequency Response: 72- 10.5KHz
- Sensitivity: 96 dB
- Voice Coil: 3"
- Magnet : 80 oz Ferrite

12"

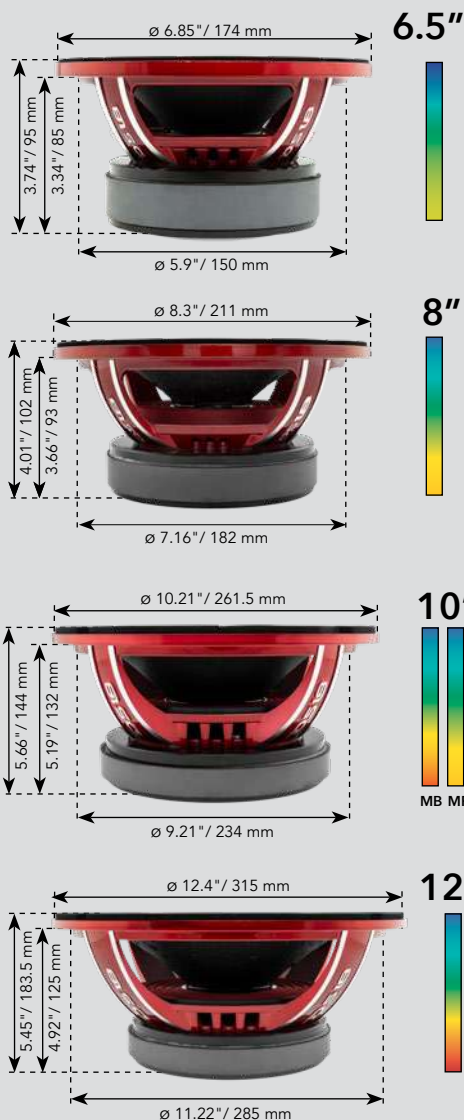
PRO-EXL128MB 8 OHMS

PRO-EXL124MB 4 OHMS

- 700 Watts RMS Power
- 1400 Watts MAX Power
- Frequency Response: 62- 6.3KHz
- Sensitivity: 97 dB
- Voice Coil: 3"
- Magnet : 110 oz Ferrite



PRO-EXL



EXTREMELY LOUD



MIDRANGE COAXIAL DRIVER

MIDRANGE LOUDSPEAKER WITH SCREW IN DRIVER

8 OHMS

PRO-HYBRID8

8"

- 200 Watts RMS Power
- 400 Watts MAX Power
- Frequency Response: 94-7.5KHz
- Sensitivity: 95.6dB
- 2" CCAR Voice Coil Driver
- Magnet: Ferrite - 44.5 oz

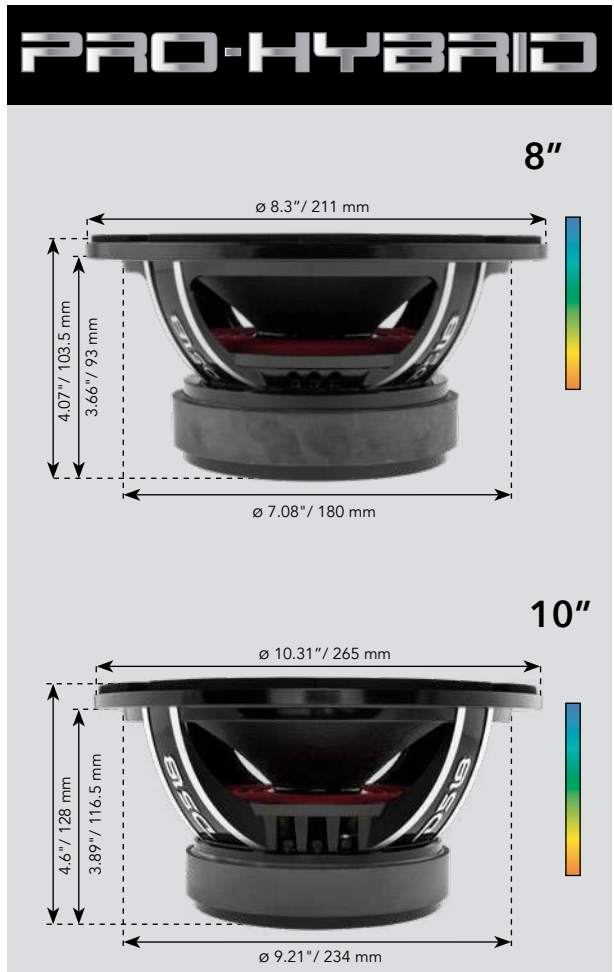
- HORN FEATURES:
- Horn Material: Pc/Abs
 - Profile: Circular
 - Coverage: 45° X 45°
 - Throat Diameter: 1.4"
 - Driver not included

PRO-HYBRID10

10"

- 300 Watts RMS Power
- 600 Watts MAX Power
- Frequency Response: 81-5.7KHz
- Sensitivity: 95.7dB
- 2" CCAR Voice Coil Driver
- Magnet: Ferrite - 77.5 oz

- HORN FEATURES:
- Horn Material: Pc/Abs
 - Profile: Circular
 - Coverage: 45° X 45°
 - Throat Diameter: 1.4"
 - Driver not included





SLIM NEODYMIUM LOUDSPEAKERS



SLIM BLACK ALUMINUM BASKET-CLOTH EDGE AND NON PRESSED PAPER CONE-NEODYMIUM MAGNET - 4OHM

PRO-NEO6SLIM

6.5"

- 200 Watts RMS Power
- 400 Watts MAX Power
- Frequency Response: 136 -11 KHz
- Sensitivity: 96 dB
- Voice Coil 1.5" KCCA W 2 Layer

PRO-NEO8SLIM

8"

- 250 Watts RMS Power
- 500 Watts MAX Power
- Frequency Response: 123 -13.7KHz
- Sensitivity: 95 dB
- Voice Coil :2" KCCA W 2 Layer

FULL RANGE NEODYMIUM LOUDSPEAKERS



BLACK ALUMINUM BASKET-CLOTH EDGE AND NON PRESSED PAPER CONE-NEODYMIUM MAGNET - 4OHM

PRO-FR5NEO

5.25"

- 200 Watts RMS Power
- 400 Watts MAX Power
- Frequency Response: 242-13.6 KHz
- Sensitivity 94.6dB
- Voice Coil:1.2" KCCA W 2 Layer

PRO-FR6NEO

6.5"

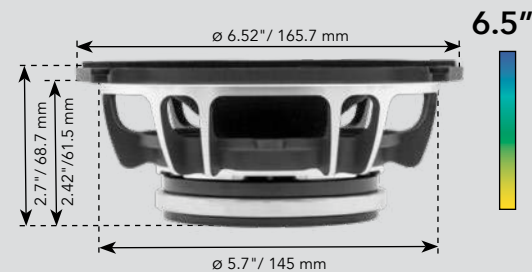
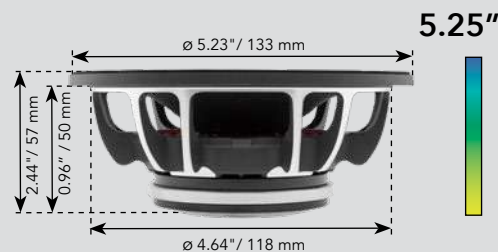
- 250 Watts RMS Power
- 500 Watts MAX Power
- Frequency Response: 151-12.5 KHz
- Sensitivity 97.8dB
- Voice Coil:1.5" KCCA W 2 Layer

PRO-FR8NEO

8"

- 250 Watts RMS Power
- 500 Watts MAX Power
- Frequency Response: 128-14.8KHz
- Sensitivity 100.5dB
- Voice Coil:1.5" KCCA W 2 Layer

PRO-NEO



MIDBASS NEODYMIUM LOUDSPEAKER



4 OHMS

RED ALUMINUM BASKET - CLOTH EDGE AND NON-PRESSED PAPER CONE - NEODYMIUM RING MAGNET

PRO-NEO6R 6.5"

- 300 Watts RMS Power
- 600 Watts MAX Power
- Frequency Response: 160-12- 14.2KHz
- Sensitivity: 92.2 dB
- Voice Coil : 2" KCCAW
- Magnet: 11.4 Oz

PRO-NEO8R 8"

- 400 Watts RMS Power
- 800 Watts MAX Power
- Frequency Response: 100 - 12.5KHz
- Sensitivity: 93 dB
- Voice Coil : 2" TICCAW
- Magnet: 13.68 Oz

PRO-NEO10R 10"

- 500 Watts RMS Power
- 1000 Watts MAX Power
- Frequency Response: 100 - 12.5KHz
- Sensitivity: 94 dB
- Voice Coil : 2" TICCAW
- Magnet: TBA

NEODYMIUM LOUDSPEAKERS

BLACK ALUMINUM BASKET - CLOTH EDGE AND NON-PRESSED PAPER CONE - NEODYMIUM MAGNET

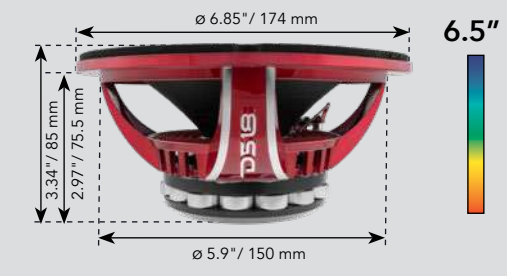
PRO-NEO6 6.5"

- 250 Watts RMS Power
- 500 Watts MAX Power
- Frequency Response: 160 - 12.5 KHz
- Sensitivity: 96 dB
- Voice Coil : 1.5" KCCAW 2 Layer
- Magnet: TBA

PRO-NEO8 8"

- 300 Watts RMS Power
- 600 Watts MAX Power
- Frequency Response: 100 - 16 KHz
- Sensitivity: 97 dB
- Voice Coil : 1.5" KCCAW 2 Layer
- Magnet: TBA

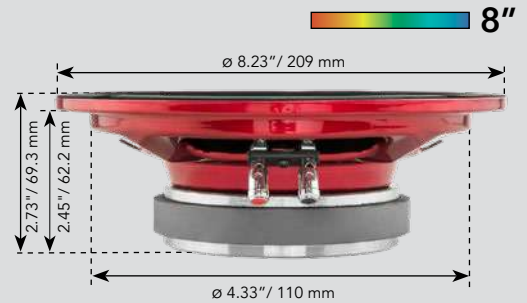
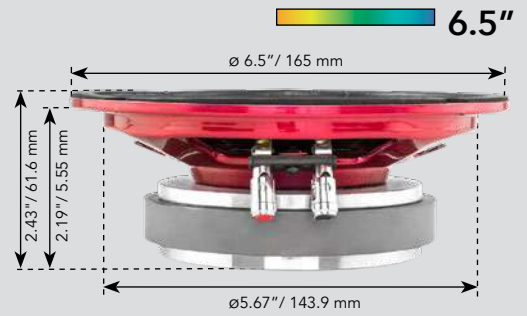
PRO-NEO



HIGH GRADE NEODYMIUM MAGNET RINGS



PRO-MARINE



SLIM LOUDSPEAKER - WATER RESISTANT

2 OHMS

RED STEEL BASKET - CLOTH EDGE AND NON-PRESSED PAPER CONE WITH WATER RESISTANT COATING

PRO-SM6.2

6.5"

- 200 Watts RMS Power
- 400 Watts MAX Power
- Sensitivity: 95dB
- Voice Coil: 1.5" Kapton
- Frequency Response: 80Hz-14KHz
- Magnet: 20 oz Ferrite

PRO-SM8.2

8"

- 250 Watts RMS Power
- 500 Watts MAX Power
- Sensitivity: 97dB
- Voice Coil: 1.5" Kapton
- Frequency Response: 65Hz-12KHz
- Magnet: 25 oz Ferrite



NEODYMIUM FULL-RANGE - WATER RESISTANCE

BLACK STEEL BASKET - FIBER GLASS WITH FOAM COMPOSITE CONE AND DUST CAP- EVA GASKET RING - 1.5" KAPTON VOICE COIL - 2 OHM

2 OHMS

PRO-M6.2NEO

6.5"

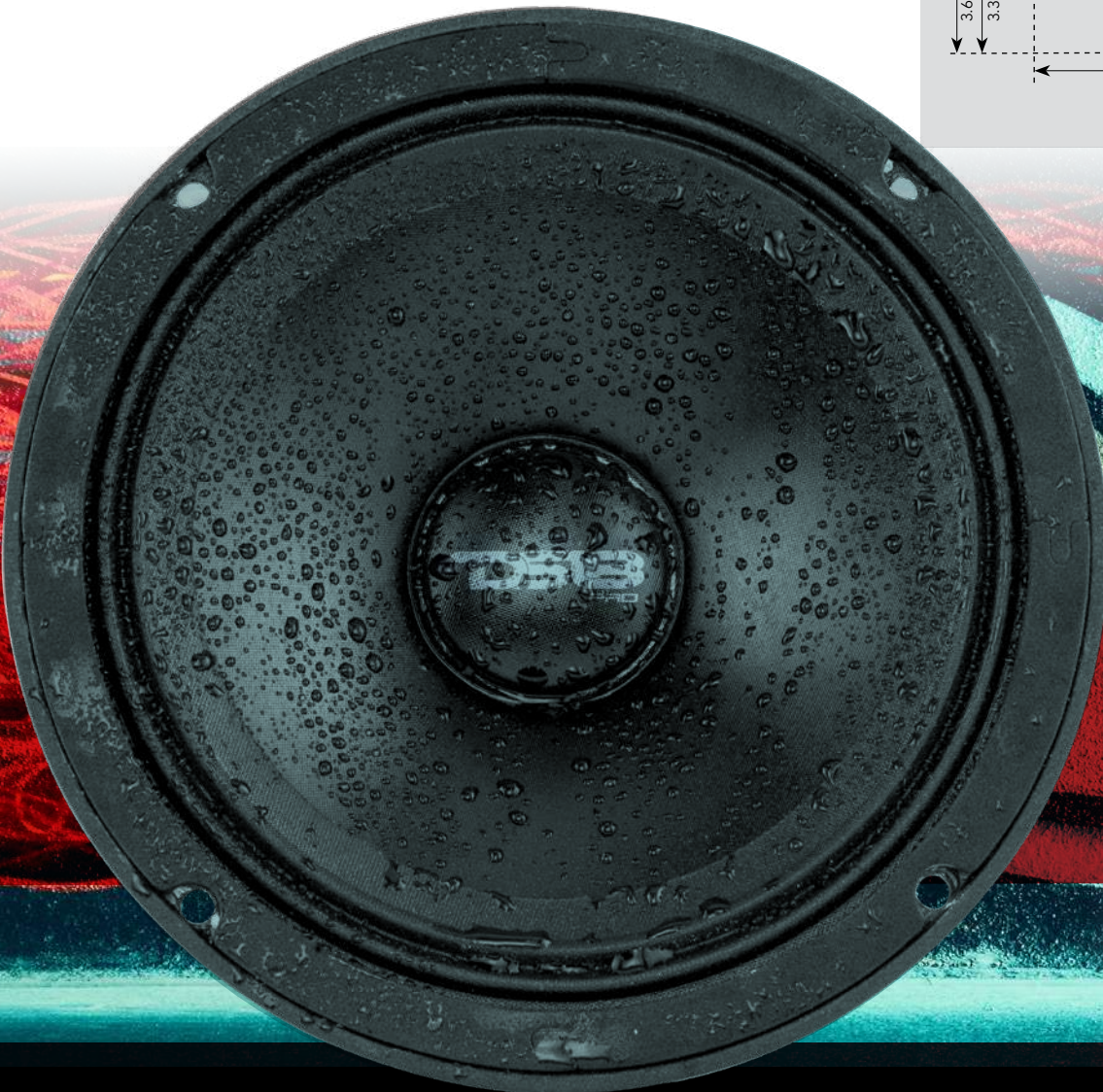
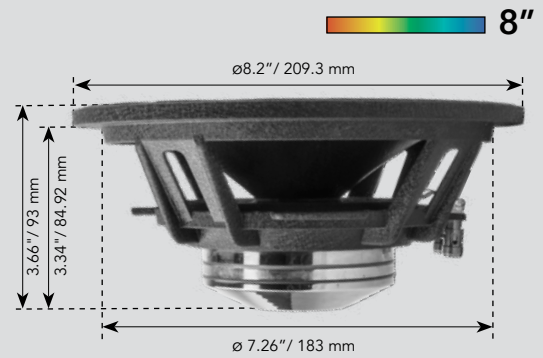
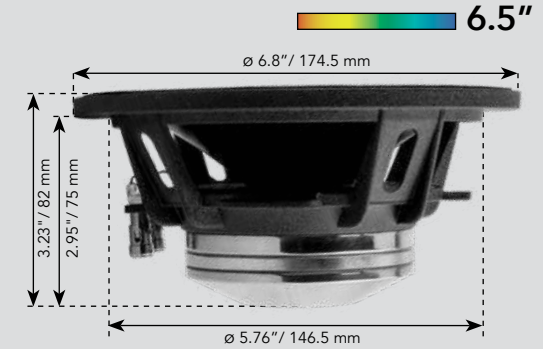
- 200 Watts RMS Power
- 400 Watts MAX Power
- Sensitivity: 95dB
- Frequency Response: 80Hz-16KHz
- Magnet: Neodymium

PRO-M8.2NEO

8"

- 250 Watts RMS Power
- 500 Watts MAX Power
- Sensitivity: 96dB
- Frequency Response: 60Hz-16KHz
- Magnet: Neodymium

PRO-MARINE



2-WAY MIDRANGE WITH BUILT-IN BULLET TWEETER

BLACK STEEL BASKET - 1.5 KAPTON VOICE COIL - 4 OHM

PRO-ZT6

6.5"

- 225 Watts RMS Power
- 450 Watts MAX Power
- Frequency Response: 65Hz-22KHz
- Sensitivity: 96dB
- Magnet: Ferrite - 27 oz

- TWEETER:**
- Voice Coil: 1"
 - Diaphragm: Aluminum
 - Magnet: Neodymium

PRO-ZT8

8"

- 275 Watts RMS Power
- 550 Watts MAX Power
- Frequency Response: 65Hz-22KHz
- Sensitivity: 98dB
- Magnet: Ferrite - 27 oz

- TWEETER:**
- Voice Coil: 1"
 - Diaphragm: Aluminum
 - Magnet: Neodymium

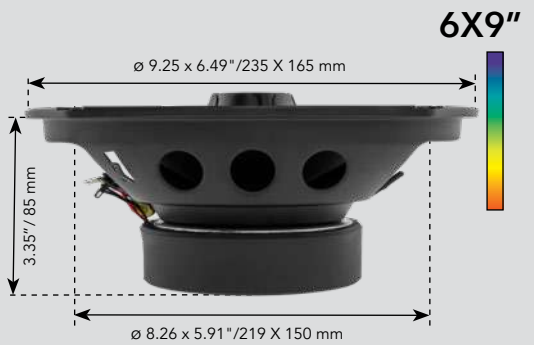
PRO-ZT69

6X9"

- 275 Watts RMS Power
- 550 Watts MAX Power
- Frequency Response: 60Hz-22KHz
- Sensitivity: 98dB
- Magnet: Ferrite - 27 oz

- TWEETER:**
- Voice Coil: 1"
 - Diaphragm: Aluminum
 - Magnet: Neodymium

PRO-ZT



MIDRANGE LOUDSPEAKER



PRO-X

RED BASKET - CLOTH EDGE AND NON PRESSED PAPER CONE

4"

PRO-X4M 4 OHM

- 100 Watts RMS Power
- 200 Watts MAX Power
- Frequency Response: 250-12.5KHz
- Sensitivity: 90dB
- Magnet: 9 oz - Ferrite
- Voice Coil: 1" KCCA W

5.25"

PRO-X5.4M 4 OHM

PRO-X5M 8 OHM

- 150 Watts RMS Power
- 300 Watts MAX Power
- Frequency Response: 200-16KHz
- Sensitivity: 93dB
- Magnet : 18.5 oz - Ferrite
- Voice Coil: 1.2" KCCA W

6.5"

PRO-X6.4M 4 OHM

PRO-X6M 8 OHM

- 225 Watts RMS Power
- 500 Watts MAX Power
- Frequency Response: 125-12KHz
- Sensitivity: 94dB
- Magnet: 30 oz - Ferrite
- Voice Coil: 1.5" CCAR

8"

PRO-X8.4M 4 OHM

PRO-X8M 8 OHM

- 275 Watts RMS Power
- 550 Watts MAX Power
- Frequency Response: 125-6.3KHz
- Sensitivity: 96dB
- Magnet: 30 oz Ferrite
- Voice Coil: 1.5" CCAR

10"

PRO-X10.4M 4 OHM

PRO-X10M 8 OHM

- 300 Watts RMS Power
- 600 Watts MAX Power
- Frequency Response: 100-5KHz
- Sensitivity: 96dB
- Magnet: 40 oz Ferrite
- Voice Coil: 2" CCAR

12"

PRO-X12.4M 4 OHM

PRO-X12M 8 OHM

- 450 Watts RMS Power
- 900 Watts MAX power
- Frequency Response: 63.5 -11.3KHz
- Sensitivity: 97.5dB
- Magnet: 60 oz -Ferrite
- Voice Coil: 2.5" CCA W

MIDBASS LOUDSPEAKER

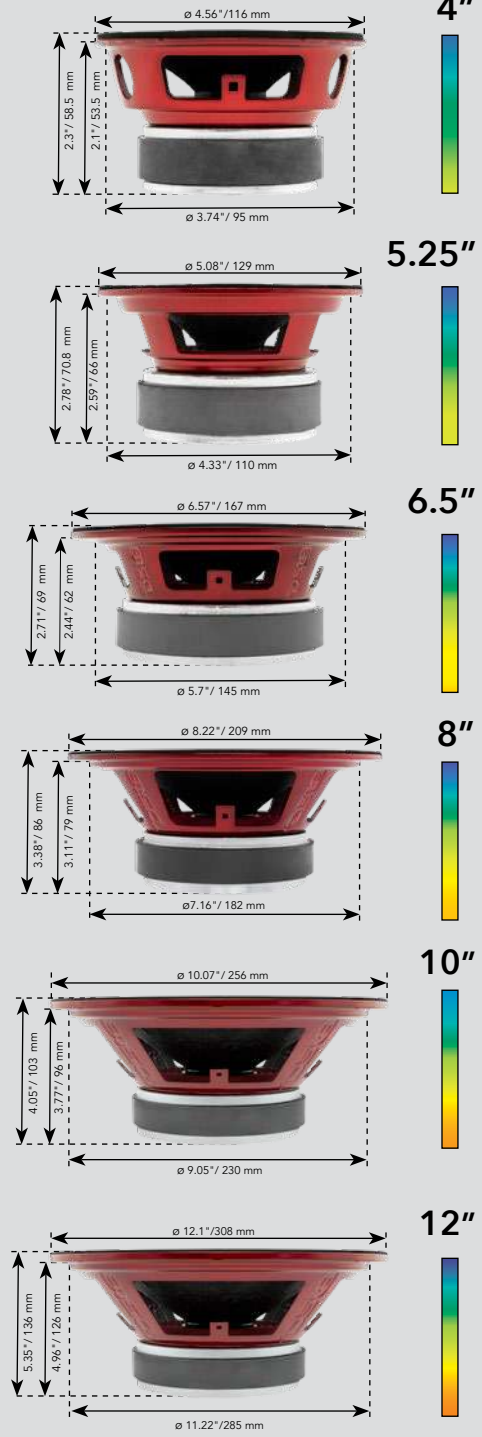
RED BASKET - CLOTH EDGE AND NON PRESSED PAPER CONE - 8 OHM

PRO-X10MBASS 10"

- 400 Watts RMS Power
- 800 Watts MAX Power
- Frequency Response: 100Hz-6.3KHz
- Sensitivity: 95dB
- Magnet: 60oz High Strength Ferrite
- Voice Coil: 2.5" KASV

MEASUREMENTS:

- Overall Diameter: 10.3" / 260.8 mm
- Mounting Depth: 4.25" / 108 mm
- Overall Depth: 4.55" / 115.7 mm



10" PRO-X10MBASS

MIDRANGE LOUDSPEAKER WITH BULLET

RED BASKET - CLOTH EDGE AND NON PRESSED PAPER CONE -
CROSS WIRE ON SPIDER SUSPENSION - TWO WAVE EDGE

4"

PRO-X4.4BM 4 OHMS

- 100 Watts RMS Power
- 200 Watts MAX Power
- Frequency Response 250-16KHz
- Sensitivity 90dB
- Magnet :10 oz - Ferrite
- Voice Coil :1" KCCA W

5.25"

PRO-X5.4BM 4 OHMS

- 150 Watts RMS Power
- 300 Watts MAX Power
- Frequency Response: 125-12KHz
- Sensitivity: 94dB
- Magnet:18.5 oz - Ferrite
- Voice Coil: 1.2" KCCA W

6.5"

PRO-X6.4BM 4 OHMS

PRO-X6BM 8 OHMS

- 250 Watts RMS Power
- 500 Watts MAX Power
- Frequency response: 125-12KHz
- Sensitivity: 94dB
- Magnet :30 oz - Ferrite
- Voice Coil: 1.5" CCA W

PRO-X8.4BM 4 OHMS

PRO-X8BM 8 OHMS

- 275 Watts RMS Power
- 550 Watts MAX Power
- Frequency Response: 125 -16KHz
- Sensitivity: 96dB
- Magnet :30oz - Ferrite
- Voice Coil:1.5" CCA W

10"

PRO-X10BM 8 OHMS

- 300 Watts RMS Power
- 600 Watts MAX Power
- Frequency Response: 100 -12.5KHz
- Sensitivity: 97dB
- Magnet: 41 oz - Ferrite
- Voice Coil: 2" KCCA W

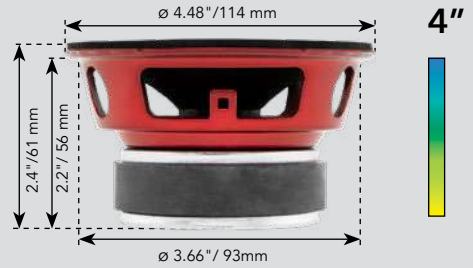
6X9"

PRO-X694BM 4 OHMS

PRO-X698BM 8 OHMS

- 275 Watts RMS Power
- 550 Watts MAX Power
- Frequency Response: 65-12KHz
- Sensitivity: 98dB
- Magnet : 27 oz - Ferrite
- Voice Coil : 1.5" KCCA W

PRO-X



4"



5.25"



6.5"



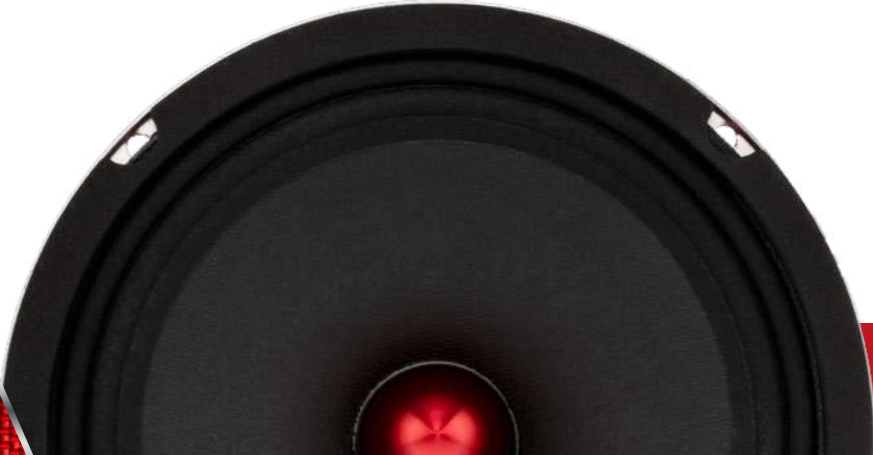
8"



10"



6x9"





SLIM MIDRANGE LOUDSPEAKER WITH BULLET

RED BASKET - CLOTH EDGE AND NON PRESSED PAPER CONE - CROSS WIRE ON SPIDER SUSPENSION - TWO WAVE EDGE - 8 OHM

PRO-X6.4BMSL

6.5"

- 250 Watts RMS Power
- 500 Watts MAX power
- Frequency Response: 125-8KHz
- Sensitivity: 94dB
- Magnet: 21 oz - Ferrite
- Voice Coil: 1.5" High Temperature CCAW

SEALED BACK MID-HIGH LOUDSPEAKERS

RED BASKET - CLOTH EDGE AND NON PRESSED PAPER CONE - CROSS WIRE ON SPIDER SUSPENSION - TWO WAVE EDGE - 8 OHM

PRO-X6MSE

6.5"

- 225 Watts RMS Power
- 450 Watts MAX Power
- Frequency Response: 315-8KHz
- Sensitivity: 95dB
- Magnet : 33oz - Ferrite
- Voice Coil : 1.5" KCCA W 2 Layer

PRO-X8MSE

8"

- 275 Watts RMS Power
- 550 Watts MAX Power
- Frequency Response: 250-8KHz
- Sensitivity: 97dB
- Magnet: 33oz - Ferrite 1.5" KCCA W
- Voice Coil : 2 Layer

SEALED BACK



PRO-X





MIDRANGE LOUDSPEAKERS

BLACK BASKET - BLACK PAPER WOOFER CONE
CLOTH SURROUND - 8 OHM

6.5"

PRO-GM6 8 OHMS

PRO-GM6.4 4 OHMS

- 140 Watts RMS Power
- 480 Watts MAX Power
- Frequency Response: 98-10KHz
- Sensitivity: 92dB
- Voice Coil : 1.5" Kapton
- Magnet: 23 oz with Rubber Boot Cover

8"

PRO-GM8 8 OHMS

PRO-GM8.4 4 OHMS

- 190 Watts RMS Power
- 580 Watts MAX Power
- Frequency Response: 90-10KHz
- Sensitivity: 93dB
- Voice Coil : 1.5" Kapton
- Magnet: 30 oz with Rubber Boot Cover

10"

PRO-GM10 8 OHMS

PRO-GM10.4 4 OHMS

- 220 Watts RMS Power
- 660 Watts MAX Power
- Frequency Response: 66-10 KHz
- Sensitivity: 97dB
- Voice Coil : 2" Kapton
- Magnet: 30 oz with Rubber Boot Cover

PRO-GM

6.5"

ø 5.7" / 168 mm

2.75" / 70 mm

2.51" / 64 mm

ø 5.7" / 145 mm

8"

ø 8.22" / 209 mm

3.46" / 88 mm

3.22" / 82 mm

ø 7.16" / 182 mm

10"

ø 10.03" / 255 mm

4.06" / 103 mm

3.77" / 96 mm

ø 9.05" / 230 mm

MIDRANGE LOUDSPEAKERS WITH BULLET

BLACK BASKET - BLACK PAPER WOOFER CONE - CLOTH SURROUND

6.5"

PRO-GM6.4B 4 OHMS

PRO-GM6B 8 OHMS

- 140 Watts RMS Power
- 480 Watts MAX Power
- Frequency Response: 98-10KHz
- Sensitivity: 92dB
- Voice Coil: 1.5" Kapton
- Magnet: 23 Oz with Rubber Boot Cover

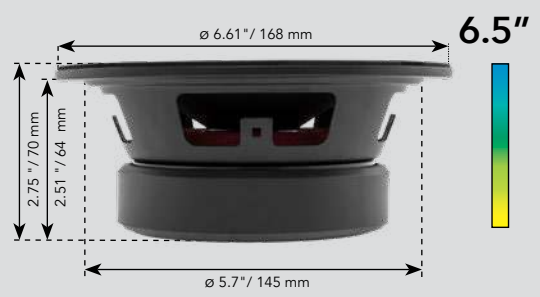
8"

PRO-GM8.4B 4 OHMS

PRO-GM8B 8 OHMS

- 190 Watts RMS Power
- 580 Watts MAX Power
- Frequency Response: 90-10KHz
- Sensitivity: 95dB
- Voice Coil: 1.5" Kapton
- Magnet: 30 Oz with Rubber Boot Cover

PRO-GM



6.5"



8"

SEALED BACK MID-HIGH LOUDSPEAKERS

BLACK BASKET - BLACK PAPER WOOFER CONE - CLOTH SURROUND - 4 OHM

6.5"

PRO-GM6SE

- 140 Watts RMS Power
- 480 Watts MAX Power
- Frequency Response: 420-11KHz
- Sensitivity: 94dB
- Voice Coil: 1.5" Kapton
- Magnet: 23 Oz with Rubber Boot Cover

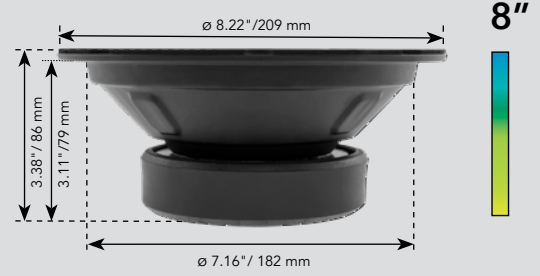
8"

PRO-GM8SE

- 190 Watts RMS Power
- 580 Watts MAX Power
- Frequency Response: 430 -8.2 KHz
- Sensitivity: 95dB
- Voice Coil: 1.5" Kapton
- Magnet: 30 Oz with Rubber Boot Cover



6.5"



8"



SEALED BACK
MIDRANGE LOUDSPEAKER



MIDS AND HIGHS COMPLETE PACKAGES

BLACK BASKET - BLACK PAPER WOOFER CONE - CLOTH SURROUND - 4 OHM

PRO-GM6.4PK

6.5"

PRO-GM6.4 (PAIR)

- 140 Watts RMS Power
- 480 Watts MAX Power
- Frequency Response: 98-10KHz
- Sensitivity: 92dB
- Voice Coil: 1.5"
- Magnet: 32 oz
- Mounting Depth: 2.5"

PRO-TW120B (PAIR)

- 1" Super Tweeter With Bullet
- 120 Watts Program Power
- 240 Watts Peak Power
- Frequency Range: 2 KHz-20KHz
- Sensitivity: 103 dB
- Voice Coil Diameter: 1"
- Magnet: Ferrite 6.5 oz

PRO-GM8.4PK

8"

PRO-GM8.4 (PAIR)

- 190 Watts RMS Power
- 580 Watts MAX Power
- Frequency Response: 90-10KHz
- Sensitivity: 95dB
- Voice Coil: 1.5" Kapton
- Magnet: 30 oz
- Mounting Depth: 3.2"

PRO-TW120B (PAIR)

- 1" Super Tweeter With Bullet
- 120 Watts Program Power
- 240 Watts Peak Power
- Frequency Range: 2 KHz-20KHz
- Sensitivity: 103 dB
- Voice Coil Diameter: 1"
- Magnet: Ferrite 6.5 oz

RED BASKET - BLACK PAPER WOOFER CONE - CLOTH SURROUND - 4 OHM

PRO-X 6.4BMPK

6.5"

PRO-X6.4BM (PAIR)

- 250 Watts RMS Power
- 500 Watts MAX Power
- Frequency Response: 125-12KHz
- Sensitivity: 94dB
- Voice Coil: 1.5" Kapton
- Magnet: 30 oz
- Mounting Depth: 2.44"/62mm

PRO-TW220 (PAIR)

- 1" Super Tweeter With Bullet
- 120 Watts Program Power
- 240 Watts Peak Power
- Frequency Range: 2 KHz-20KHz
- Sensitivity: 106 dB
- Voice Coil Diameter: 1.5"
- Magnet: Ferrite 65 oz

PRO-X8.4BMPK

8"

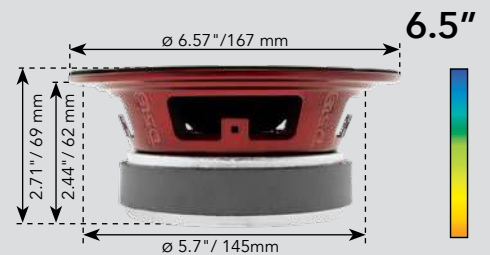
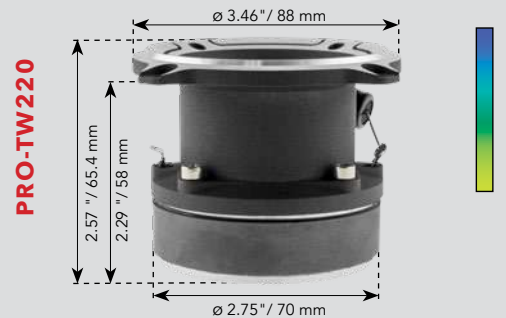
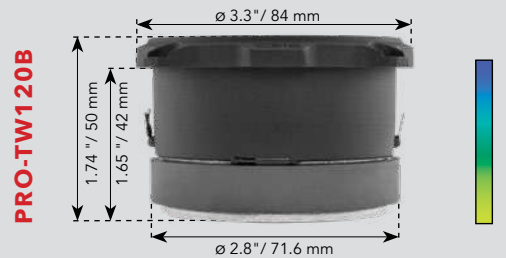
PRO-X8.4BM (PAIR)

- 275 Watts RMS Power
- 550 Watts MAX Power
- Frequency Response: 125-16KHz
- Sensitivity: 96dB
- Voice Coil: 1.5" CCAW
- Magnet: 30 oz
- Mounting Depth: 3.11"/79mm

PRO-TW220 (PAIR)

- 1" Super Tweeter With Bullet
- 120 Watts Program Power
- 240 Watts Peak Power
- Frequency Range: 2 KHz-20KHz
- Sensitivity: 106 dB
- Voice Coil Diameter: 1.5"
- Magnet: Ferrite 6.5 oz

PRO



VOCETEO BOX



ADJUSTABLE FREQUENCIES

PRO-BOX

Enclosure:

- Exclusive Mid-Horn Design
- Carpet Finish with Logo Stitching
- RGB Built in for Logo Display
- High Gloss UV Compliant Red Polymer Resin & Fiberglass Composite
- Separate Dual Connectors (Mid, Driver)
- Double Port Design Tonality for More Bass & Midbass Response

- 2 x 10" Mid or Midbass Mounting
- Speaker Mounting Hole: 233mm
- Speaker Maximum Depth: 140mm
- 2 x Driver 1" Throat Diameter
- Driver Mounting Type: Screw-On
- 2 pcs Port Silica Insert
- Size: D x W x H: 9" x 29.75" x 14.25"
- RGB Built-in Logo Works with APP
- SPEAKERS SOLD SEPARATELY



PRO-BOXLOADED

Enclosure:

- Carpet finish with Logo Stitching
- Horn Material: UV Compliant
- High Gloss High Polymer Resin and fiberglass Composite
- Separated Dual Connectors (Mid, Driver)
- Double Port Design Tonality for more Bass and Midbass Response
- RGB Built-In Logo Works with APP
- SIZE D x W x H: 9" x 29.75" x 14.25"

Speakers:

- **Pair of PRO-EXL108 INCLUDED**
- **Pair of PRO-DR450 INCLUDED**
- Sensitivity: 105dB
- Frequency Response:
 - Mode 1** - 125Hz-20KHz Without Port Covered
 - Mode 2** - 80Hz-20KHz With one Port Covered

Drivers:

- 1200 Watts RMS (Mids) 600 Watts RMS
- 2000 Watts MAX (Mids) 1000 Watts MAX



MODE 1: UNCOVERED PORTS
MODE 2: 1 COVERED



LED LIGHTS APP - WORK WITH ANDROID AND IPHONE

STACKABLE BOX WITH DIFFUSER VOCAL AND MIDBASS ENHANCED

PRO-CUBE6

PRO-EXL68 (INCLUDED) 6.5"

- Carpet Finish
- Size: 9" x 9" x 9"
- Horn Material: ABS Molded
- Speaker: **PRO-EXL68**
- 300 Watts RMS Power
- 600 Watts MAX Power
- Frequency Response: 90Hz - 16KHz
- Sensitivity: 99dB
- Impedance: 8 OHMS

PRO-CUBE8

PRO-EXL88 (INCLUDED) 8"

- Carpet Finish
- Size: 10" x 10" x 10"
- Horn Material: ABS Molded
- Speaker: **PRO-EXL88**
- 400 Watts RMS Power
- 800 Watts MAX Power
- Frequency Response: 90Hz - 16KHz
- Sensitivity: 100dB
- Impedance: 8 ohm

PRO-CUBE10

PRO-EXL108 (INCLUDED) 10"

- Carpet Finish
- Size: 12" x 12" x 12"
- Horn Material: ABS Molded
- Speaker: **PRO-EXL108**
- 600 Watts RMS Power
- 1000 Watts MAX Power
- Frequency Response: 63Hz - 10KHz
- Sensitivity: 100.2dB
- Impedance: 8 ohm

CONNECTORS





REAR-CAGE SOUNDBAR SYSTEMS



JLOUD DESIGNED FOR JK, JKU & JL JEEPS

HOUSES:

- 4 x 8" SPEAKERS (ANY 8" DS18 SPEAKER RECOMMENDED)
- 4 x 3.72" TWEETER (PRO-TW4L RECOMMENDED)
- 4 x 1.3/8" SCREW DOWN DRIVER (PRO-DR1.75 RECOMMENDED)

- The mounting bracket for JK & JKU & JL is included
- High Density Plastic Molded with Color Injected
- UV Protected and All Elements Ready
- Light Weight and Strong Material
- Available in Color: Red, Black and White



ROLLCAGE SOUNDBAR SYSTEMS



ROLLCAGE SBAR DESIGNED FOR JK, JKU & JL JEEPS

HOUSES:

- 4 x 6.5" SPEAKERS (NXL-6 RECOMMENDED)
- 2 x 1.5" TWEETER (PRO-TW3L RECOMMENDED)

- High Density Plastic Molded with Color Injected
- UV Protected and All Elements Ready
- Light Weight and Strong Material
- Available in Color: Black



BACK

***** ALL RECOMMENDED SPEAKERS, DRIVERS AND TWEETERS ARE SOLD SEPARATELY *****



All Enclosure Boxes are Compatible with the DS18 LED-BTC or any other RF/BT/ WiFi Controller for Multi-Function RGB LED Lighting (Sold Separately)

OVERHEAD SOUNDBAR SYSTEMS



JK-SBAR DESIGNED FOR JK & JKU JEEPS

HOUSES:

4x 8" SPEAKERS (PRO-X8M RECOMMENDED)

4x 1.75" TWEETER (PRO-TW4L RECOMMENDED)

2x SCREW DOWN DRIVER (PRO-DR1.35 RECOMMENDED)

- High Density Plastic Molded with Color Injected
- UV Protected and All Elements Ready
- Light Weight and Strong Material
- Available in Color: Red, Black, White, Grey, Pink, Teal, Camo Tan, Camo Green



JL-SBAR DESIGNED FOR JL, JLU & JT JEEPS

HOUSES:

4x 8" SPEAKERS (PRO-X8M RECOMMENDED)

4x 1.75" TWEETER (PRO-TW4L RECOMMENDED)

- High Density Plastic Molded with Color Injected
- UV Protected and All Elements Ready
- Light Weight and Strong Material
- Available in Color: Red, Black, White, Camo Tan, Camo Green



TJ-SBAR DESIGNED FOR JT JEEPS

HOUSES:

4x 6.5" SPEAKERS (NXL-6 RECOMMENDED)

2x 1.75" TWEETER (PRO-TW4L RECOMMENDED)

- High Density Plastic Molded with Color Injected
- UV Protected and All Elements Ready
- Light Weight and Strong Material
- Available in Color: Red, Black, White, Camo Tan



***** ALL RECOMMENDED SPEAKERS, DRIVERS AND TWEETERS ARE SOLD SEPARATELY *****



All Enclosure Boxes are Compatible with the DS18 LED-BTC or any other RF/BT/WiFi Controller for Multi-Function RGB LED Lighting (Sold Separately)

SHALLOW SUB ENCLOSURE BOX - UNLOADED 10"



JBASS

DESIGNED FOR JK, JKU & JL TAILGATE JEEPS

HOUSES:

2 x 10" SHALLOW SUBWOOFERS. (DS18- SW10D4 10" RECOMMENDED)

- Mounting Hole Diameter: 234mm (9.21")
- High Density Plastic Molded with Color Injected
- 6 Core 1.5m Input Wires For RGB And Woofer Speakers
- Subwoofers not included
- Available in Color: Black & Camo



MIDRANGE AND TWEETER ENCLOSURE BOX - UNLOADED 10"



JMID

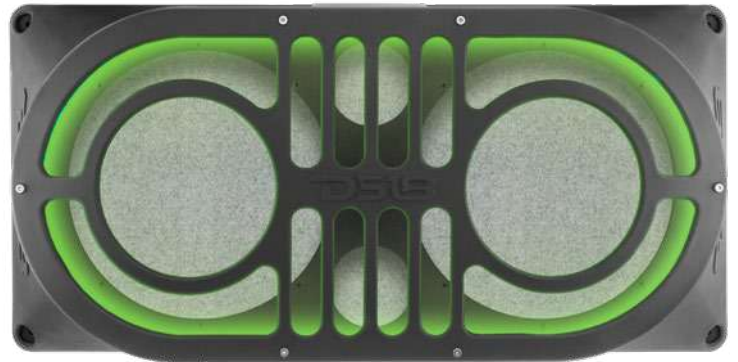
DESIGNED FOR JK, JKU & JL TAILGATE JEEPS

HOUSES:

2 X 10" MIDRANGE SPEAKERS W (DS18 - PRO-X10M 10" RECOMMENDED)

2 X BULLET TWEETERS (DS18 PRO-TW220 3.18" RECOMMENDED)

- Mounting Hole Diameter: 234mm (9.21")
- Mounting Hole Diameter: 71mm (2.79")
- High Density Plastic Molded with Color Injected
- Size: D x W x H : 28.74" (730mm) / 13.77" (350mm) / 5.9" (150mm)
- 6 Core 1.5m Input Wires For RGB And Woofer Speakers
- Speakers and Tweeters not included



*****ALL RECOMMENDED SPEAKERS, DRIVERS AND TWEETERS ARE SOLD SEPARATELY*****



All Enclosure Boxes are Compatible with the DS18 LED-BTC or any other RF/BT/WiFi Controller for Multi-Function RGB LED Lighting (Sold Separately)

JEEP EXCLUSIVE TRUNK SUB BOXES



J-SUB12/L LEFT

J-SUB12/R RIGHT

J-SUB12-LR LEFT AND RIGHT

DESIGNED FOR JK AND JKU JEEP - MOUNTS OVER WHEEL WELLS
EACH BOX HOUSES:

1 X 12" SUBWOOFER (ELITE-Z12 RECOMMENDED)

- Cubic 0.8 sealed
- The mounting bracket for JKU included
- Plastic ABS Injected
- High Density Plastic, molded injected with Black Color
- UV Protected and All Elements Ready
- Light Weight and Strong Material
- Mounting Depth: 6.29"



J-SUB.2

DESIGNED FOR JK, JL AND JKU JEEPS

EACH BOX HOUSES:

2 x 12" SUBWOOFER (EXL-X12.4D RECOMMENDED)

- Dream RGB LED light built-in
- Acrylic viewing window for the subwoofers
- 2 meters RGB input wires
- Speaker connect wires included
- Black painted MDF 10mm enclosure
- Internal Vol area: 3.2 Ft³
- Port Tune: 35Hz
- 2 angle Mounting "L" Brackets Included



JEEP EXCLUSIVE DOOR PANELS



DESIGNED FOR JK AND JKU JEEPS

JK-DF6 FRONT **JK-DR6** REAR

EACH PANEL HOUSES:

6.5" SPEAKER (ANY DS18 6.5" SPEAKER RECOMMENDED)
ø 3.78" MOUNTING TWEETER (PRO-TW1L RECOMMENDED)

- DS18 Badge with Dream RGB LED light built-in
- High Density Plastic, molded injected with Black Color

DESIGNED FOR JL, JLU AND JLT JEEPS

JL-DF6 FRONT **JL-DR6** REAR

EACH PANEL HOUSES:

6.5" SPEAKER (ANY DS18 6.5" SPEAKER RECOMMENDED)
ø 1.71" MOUNTING TWEETER (PRO-TW7L RECOMMENDED)

- DS18 Badge with Dream RGB LED light built-in
- High Density Plastic, molded injected with Black Color



JK-DF6

JL-DR6

*****ALL RECOMMENDED SPEAKERS, DRIVERS AND TWEETERS ARE SOLD SEPARATELY*****



All Enclosure Boxes are Compatible with the DS18 LED-BTC or any other RF/BT/WiFi Controller for Multi-Function RGB LED Lighting (Sold Separately)



TOWER MOUNTING TUBE WITH MOBILE CLAMPS

JL-TUBE/BK BLACK

JL-TUBE/WH WHITE

- DESIGNED ESPECIALLY FOR JEEP GLADIATOR JT
- Die-cast solid aluminum full flat
- Mounting distance 70.47"
- UV-compliant gloss



JLTSB3B BLACK

JLTSB3W WHITE

- DESIGNED ESPECIALLY FOR JEEP JL & JLU
- Die-Cast Solid Aluminum Full Rounded
- Mounting Distance 42" - 44.3"
- UV-Compliant Gloss
- Available in Black or White



PU-TUBE/BK BLACK

PU-TUBE/WH WHITE

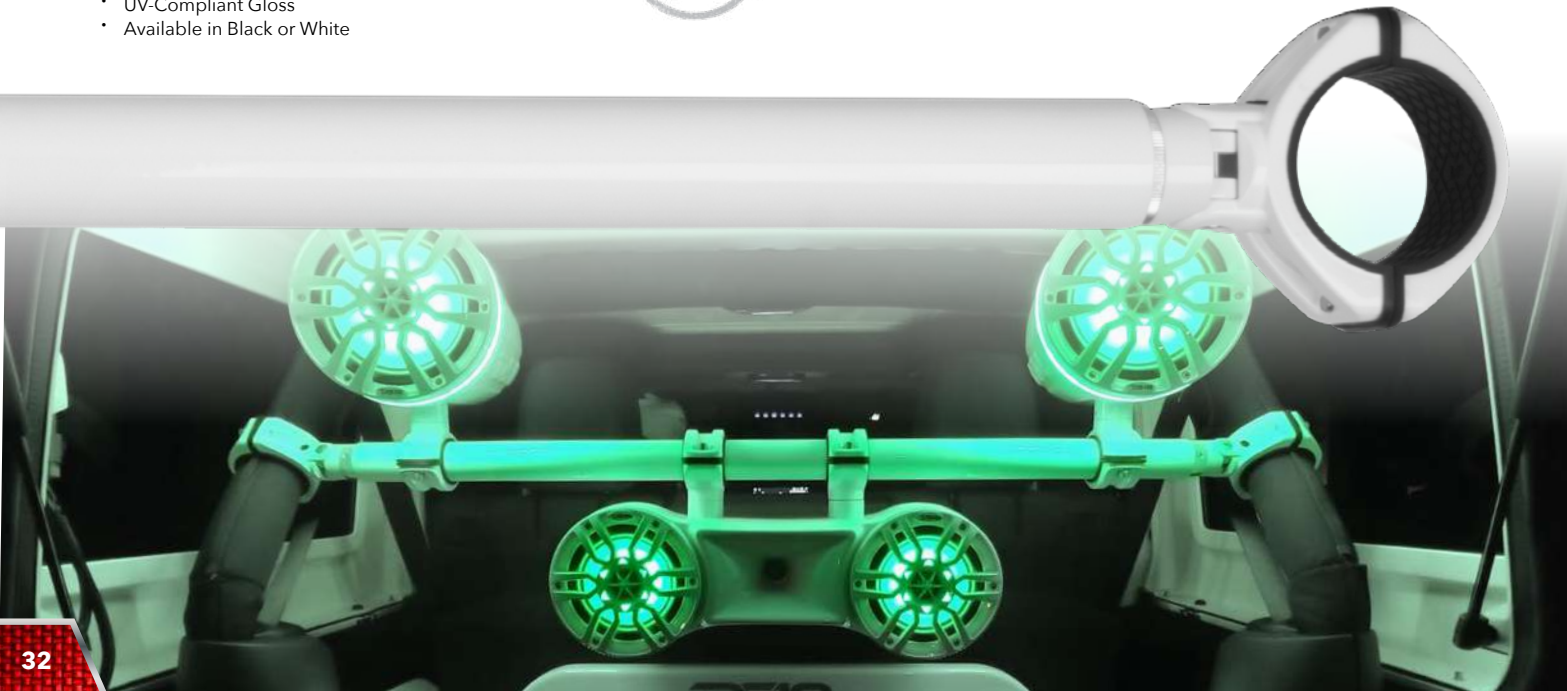
- DESIGNED ESPECIALLY FOR PICK UP TRUCK
- Mounting Distance 66.37" to 78.74"
- Tower Mounting Tube, Diameter 2"
- UV-Compliant Gloss
- Mounting Hardware Included (Stainless)
- Mounts in the OEM truck bed in multiple locations



TSB3B BLACK

TSB3W WHITE

- DESIGNED ESPECIALLY FOR JEEP JK & JKU
- Die-Cast Solid Aluminum Full Rounded
- Included 2.25", 2.5", 2.75", 3" NBR Pad
- Mounting Distance 48.3" - 50.3"
- UV-Compliant Gloss
- Available in Black or White



1K

1.5K

2K

4K

6K

WATTS
RMS

SUBWOOFERS



PRO-WOOFER WITH NEODYMIUM MAGNET



BX-NEO FEATURES

- Reinforced Paper Cone
- 6" Split Winding Aluminum Voice Coil
- Neodymium Inside Slug Design
- Speaker Leads on Spider
- 8 GA Wire Connector

PRO-BX18N.2

18"

- 2500 Watts RMS Power
- 5000 Watts MAX Power
- Free Air Response (Fs): 64.6 Hz
- Sensitivity: 102 dB
- Impedance: 2 ohm
- Voice Coil: 6"
- X-Max: 0.78"
- Mounting Depth: 8.14"
- Magnet: Neodymium
- Net Weight: 18.14Kg

PRO-BX18N.2D

18"

- 2500 Watts RMS Power
- 5000 Watts MAX Power
- Free Air Response (Fs): 64.6 Hz
- Sensitivity: 102 dB
- Impedance: 2+2 ohm
- Voice Coil: 6"
- X-Max: 0.78"
- Mounting Depth: 8.14"
- Magnet: Neodymium
- Net Weight: 18.14Kg

PRO-BX21N.1

21"

- 3000 Watts RMS Power
- 6000 Watts MAX Power
- Free Air Response (Fs): 35.6 Hz
- Sensitivity: 98 dB
- Impedance: 1 ohm
- Voice Coil: 6"
- Mounting Depth: 9.8"
- X-Max: 0.86"
- Magnet: Neodymium
- Net Weight: 19Kg

PRO-BX21N.2

21"

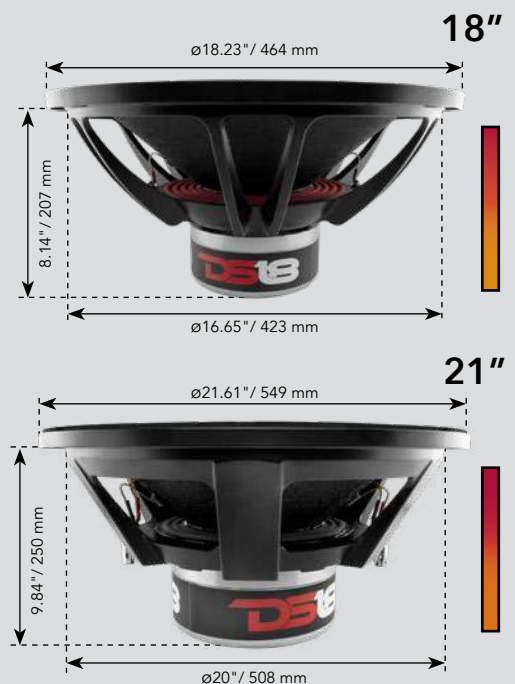
- 3000 Watts RMS Power
- 6000 Watts MAX Power
- Free Air Response (Fs): 35.6 Hz
- Sensitivity: 98 dB
- Impedance: 2 ohm
- Voice Coil: 6"
- Mounting Depth: 9.8"
- X-Max: 0.86"
- Magnet: Neodymium
- Net Weight: 19Kg

BX-NEO

Taking the Pro Audio Scene to another level!
Built for Extreme Tough Audiophiles, for Outstanding Performance.

We offer you 4 Different Models to Choose from for your own configuration

Capable of Handling Serious power and fulfill all musical needs.





SPL NEODYMIUM SUBWOOFER



TM-SPL FEATURES

- Pure Kevlar Cone
- 3" Hi Temperature Voice Coil
- Neodymium Bars Grade 52
- Heavy Duty Foam Edge With Extra Contact Area
- Extra Strong Single Spider

TM-SPL15.1NEO

15"

- | | |
|----------------------------------|------------------------------|
| • 3500 Watts RMS Power | • Voice Coil: 3" |
| • 6000 Watts MAX Power | • X-Max: 90 mm |
| • Competition (Burp): 25000W | • Mounting Depth: 10.12" |
| • Free Air Resonance (Fs) 55.1Hz | • Magnet: 13 Neodymium Slugs |
| • Sensitivity: 90.3 dB | • Net Weight: TBA |
| • Impedance: 1+1ohm | |

TM-SPL18.1NEO

18"

- | | |
|------------------------------------|------------------------------|
| • 3500 Watts RMS Power | • Voice Coil: 3" |
| • 6000 Watts MAX Power | • X-Max: 90 mm |
| • Competition (Burp): 25000W | • Mounting Depth: 11.33" |
| • Free Air Resonance (Fs) 47.311Hz | • Magnet: 13 Neodymium Slugs |
| • Sensitivity: 92.9 dB | • Net Weight: 51 Kg |
| • Impedance: 1 + 1 ohm | |

TROUBLEMAKER



The troublemaker series continues to knock down the walls! Now the TM series has a very powerful addition, the Troublemaker SPL NEO. This monster of a subwoofer was designed and tested for SPL, so the consumer can get the highest decibel level possible for competitions or for even the regular guy who wants a lot of bass in their life! With 90 mm Xmax you will have no problems with the reinforced rubber surround and the Kevlar cone pushing out massive dBs at your command. The 3" flat wound high-temperature voice coil can handle 3500W RMS easily and is rated at 6500w maximum power, so very large amplifiers are necessary. The neodymium magnets which are key to subwoofer motor structure are very much lighter than traditional ferrite magnets but also are stronger and more efficient. All this together correlates into a massive 18" subwoofer than can take anything you throw at it, all day.

1K

1.5K

2K

4K

6K

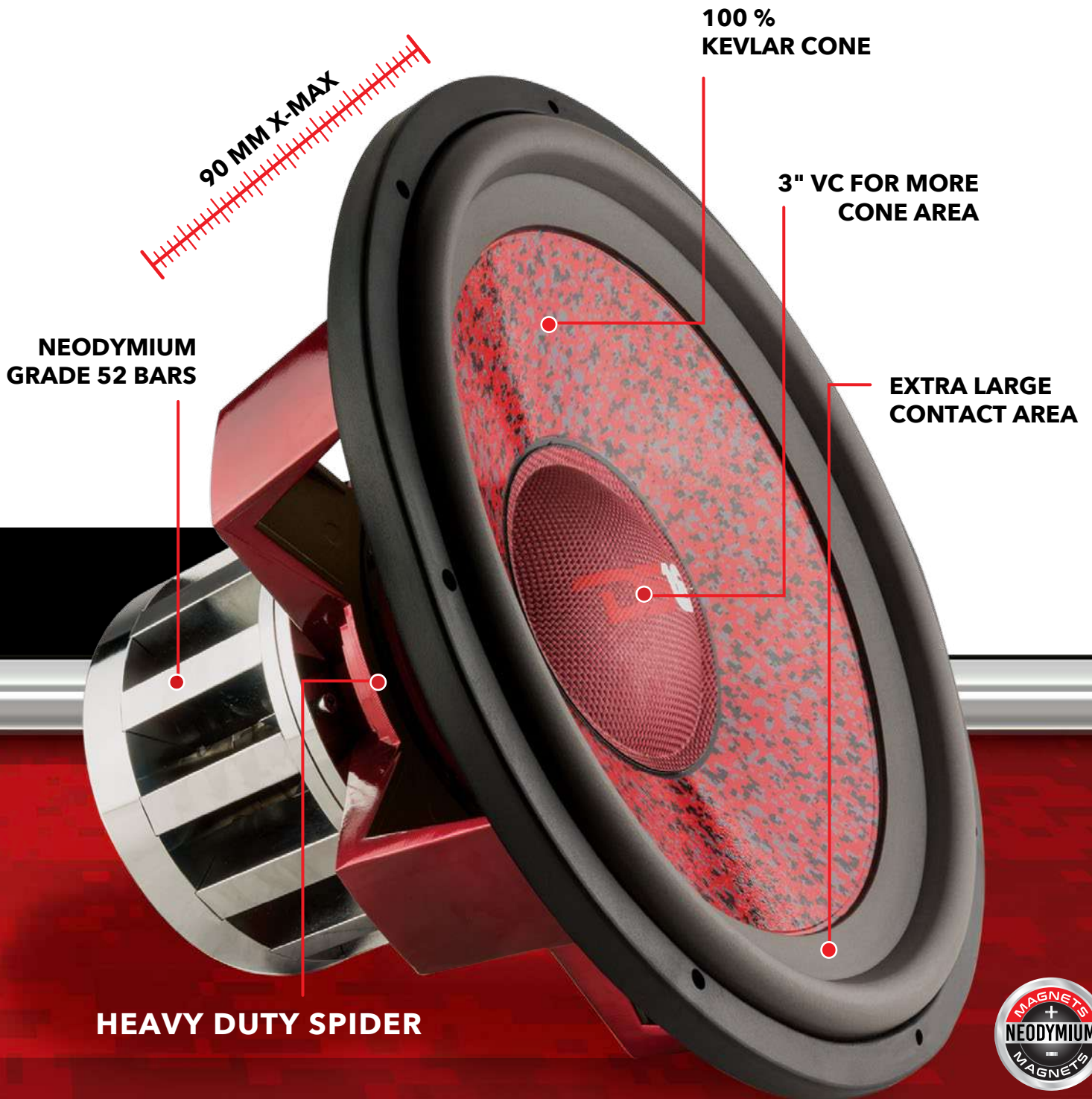
8K

WATTS
RMS

SUBWOOFERS

FOR SPL COMPETITION

3.5K W RMS • 6.5K W MAX • 25K W BURP





SUBWOOFER



HOOLIGAN-X FEATURES

- Foam Edge and Paper Cone with Kevlar layer
- Fiber Glass Dust Cap
- Aluminum Edge Ring
- 6 Layer Conex Spider
- Direct 8 AWG Cooper Wire Coil Connexion

15"

HOOL-X15.1D

1+1 OHMS

HOOL-X15.2D

2+2 OHMS

HOOL-X15.4D

4+4 OHMS

- 4000 Watts RMS Power
- 6000 Watts MAX Power
- Free Air Response (Fs) : 30Hz
- Sensitivity: 85.8 dB
- Voice Coil: 4"
- X-Max: 2.32" / 59mm
- Mounting Depth: 11.22"
- Magnet: 4 x 125 oz
- Net Weight: 37 Kg

HOOLIGAN X

After breaking several records with our original Hooligan, we decided to take this subwoofer to the next level. Upgraded in every aspect, HOOLIGAN-X features a DS18 X-clusive basket design, Kevlar enforced paper cone, and enhanced spider, bringing a true BassHead Sub to life!





EXL
XXB

SUBWOOFER



EXL-XX FEATURES

- 3" Voice Coil
- 4 Layer Conex Spider
- Glass Fiber Dust Cap Gloss Finish
- Black Aluminum Basket
- Paper Cone
- Large Foam Edge

12"

EXL-XXB12.2D 2 + 2 OHMS

EXL-XXB12.4D 4 + 4 OHMS

- 2000 Watts RMS Power
- 4000 Watts MAX Power
- Free Air Response (Fs): 53.5Hz
- Sensitivity: 88 dB
- X-Max: 1.45" / 37 mm
- Mounting Depth: 7.87"
- Magnet: 3 x 102 oz
- Net Weight: 27 Kg

15"

EXL-XXB15.2D 2 + 2 OHMS

EXL-XXB15.4D 4 + 4 OHMS

- 2000 Watts RMS Power
- 4000 Watts MAX Power
- Free Air Response (Fs): 45Hz
- Sensitivity: 90.42 dB
- X-Max: 1.45" / 37 mm
- Mounting Depth: 8.85"
- Magnet: 3 x 102 oz
- Net Weight: 28 Kg

EXL





SUBWOOFER



EXL-X FEATURES

- 2 Layer Conex Spider
- Red Aluminum Basket
- Paper Cone
- Large Foam Edge
- Black Aluminum 4 Layer Voice Coil
- Paper With Gloss Fiber Cone

6.5"

EXL-X6.2D 2 + 2 OHMS

EXL-X6.4D 4 + 4 OHMS

- 400 Watts RMS Power
- 800 Watts MAX Power
- Free Air Response (Fs): 76 Hz
- Sensitivity: 89.8 dB
- Voice Coil: 2"
- X-Max: 0.78" / 20 mm
- Mounting Depth: 4.25"
- Magnet: Ferrite 90 oz

8"

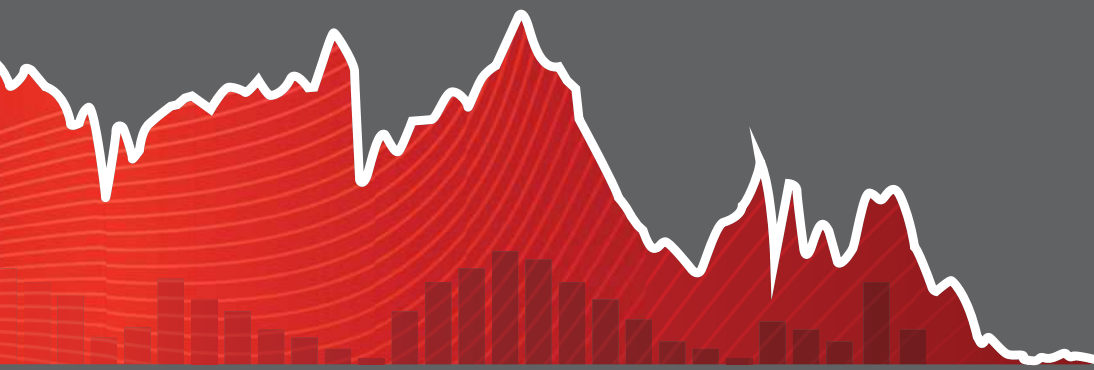
EXL-X8.2D 2 + 2 OHMS

EXL-X8.4D 4 + 4 OHMS

- 600 Watts RMS Power
- 1200 Watts MAX Power
- Free Air Response (Fs): 72 Hz
- Sensitivity: 89.11 dB
- Voice Coil: 2.5"
- X-Max: 0.94" / 24 mm
- Mounting Depth: 5.51"
- Magnet: Ferrite 130 oz

EXL





EXL X

10"

EXL-X10.2D 2 + 2 OHMS

EXL-X10.4D 4 + 4 OHMS

- 850 Watts RMS Power
- 1700 Watts MAX Power
- Free Air Response (Fs): 55 Hz
- Sensitivity: 88.75 dB
- Voice Coil: 2.5"
- X-Max: 1.06" / 27 mm
- Mounting Depth: 6.29"
- Magnet: Ferrite 90 oz x 2

12"

EXL-X12.2D 2 + 2 OHMS

EXL-X12.4D 4 + 4 OHMS

- 1250 Watts RMS Power
- 2500 Watts MAX Power
- Free Air Response (Fs): 55.7 Hz
- Sensitivity: 88 dB
- Voice Coil: 2.5"
- X-Max: 1.18" / 30 mm
- Mounting Depth: 7.08"
- Magnet: Ferrite 105 oz x 2

15"

EXL-X15.2D 2 + 2 OHMS

EXL-X15.4D 4 + 4 OHMS

- 1250 Watts RMS Power
- 2500 Watts MAX Power
- Free Air Response (Fs): 52.3 Hz
- Sensitivity: 92 dB
- Voice Coil: 2.5"
- X-Max: 1.18" / 30 mm
- Mounting Depth: 8.07"
- Magnet: Ferrite 105 oz x 2





SUBWOOFER



ELITE Z FEATURES

- Kevlar Dust Cap
- Black Steel Basket
- Paper with Glass Fiber Cone
- Foam Edge
- BASV 4 Layer Voice Coil

ELITE-Z6

6.5"

- 300 Watts RMS Power
- 600 Watts MAX Power
- Free Air Response (Fs): 61.5KHz
- Sensitivity: 86.5 dB
- Voice Coil: 1.5"
- X-Max: 0.59" / 15 mm
- Mounting Depth: 3.89"
- Magnet: Ferrite 33.5 x 2 oz
- Net Weight: 3.8 Kg

ELITE-Z8

8"

- 500 Watts RMS Power
- 1000 Watts MAX Power
- Free Air Response (Fs): 53.2Hz
- Sensitivity: 85.2 dB
- Voice Coil: 2.5"
- X-Max: 1" / 25.5 mm
- Mounting Depth: 5.19"
- Magnet: Ferrite 2 x 60 oz
- Net Weight: 7 Kg

ELITE-Z10

10"

- 750 Watts RMS Power
- 1500 Watts MAX Power
- Free Air Response (Fs): 39.8Hz
- Sensitivity: 87 dB
- Voice Coil: 2.5"
- X-Max: 1.08" / 27.5 mm
- Mounting Depth: 5.78"
- Magnet: Ferrite 2 x 80 oz
- Net Weight: 9.5 Kg

ELITE-Z12

12"

- 800 Watts RMS Power
- 1600 Watts MAX Power
- Free Air Response (Fs): 37.7 Hz
- Sensitivity: 90.1 dB
- Voice Coil: 2.5"
- X-Max: 1.14" / 29 mm
- Mounting Depth: 6.29"
- Magnet: Ferrite 2 x 80 oz
- Net Weight: 10 Kg

ELITE-Z15

15"

- 900 Watts RMS Power
- 1800 Watts MAX Power
- Free Air Response (Fs): 35.4 Hz
- Sensitivity: 92 dB
- Voice Coil: 2.5"
- X-Max: 1.2" / 30.5 mm
- Mounting Depth: 7.44"
- Magnet: Ferrite 2 x 80 oz
- Net Weight: 10.5 Kg

LIMITED EDITION Z-15LE

ELITE-Z15LE

RED BASKET 15"

- 1000 Watts RMS Power
- 2000 Watts MAX Power
- Free Air Response (Fs): 33.8 Hz
- Sensitivity: 85.1 dB
- Voice Coil: 3"
- X-Max: 1.45" / 37 mm
- Mounting Depth: 8.11"
- Magnet: Ferrite 2 x 100 oz
- Net Weight: 14 Kg

ELITE-Z



6.5"



8"



10"



12"



15"

SUBWOOFER

ELITE Z-VX FEATURES

- Black Steel Basket
- 4 Layer Black Aluminum Voice Coil
- 2 Layer Red Polycom Spider
- Foam Edge
- Paper with Glass Fiber Cone

Z-VX10.4D

10"

- 700 Watts RMS Power
- 1400 Watts MAX Power
- Free Air Response (Fs): 42.3 Hz
- Sensitivity: 84.8dB
- Voice Coil: 2.5"
- X-Max: 0.59" / 27 mm
- Mounting Depth: 5.78"
- Magnet: Ferrite 2x 55 oz

Z-VX12.4D

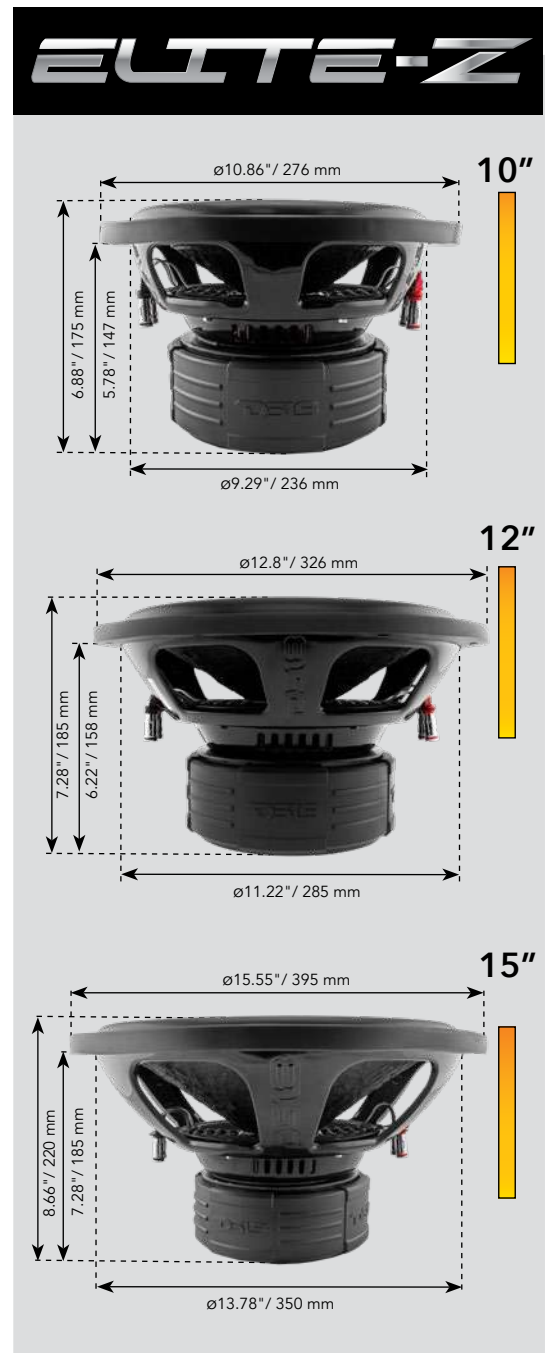
12"

- 725 Watts RMS Power
- 1450 Watts MAX Power
- Free Air Response (Fs): 42.1 Hz
- Sensitivity: 86.8dB
- Voice Coil: 2.5"
- X-Max: 0.59" / 27 mm
- Mounting Depth: 6.22"
- Magnet: 2x 55 oz

Z-VX15.4D

15"

- 750 Watts RMS Power
- 1500 Watts MAX Power
- Free Air Response (Fs): 40.7 Hz
- Sensitivity: 87.6 dB
- Voice Coil: 2.5"
- X-Max: 0.59" / 27 mm
- Mounting Depth: 7.28"
- Magnet: 2x 55 oz



Z-VX



SUBWOOFER

GEN-X FEATURES

- Red Steel Basket
- Paper and glass Fiber Cone
- Foam Edge
- Black Aluminum 4 Layer Voice Coil
- Dual 4 ohm Voice Coil

GEN-X104D

10"

- 400 Watts RMS Power
- 800 Watts MAX Power
- Free Air Response (Fs): 54.6 Hz
- Sensitivity: 87dB
- Voice Coil: 2"
- X-Max: 0.68" / 17.5 mm
- Mounting Depth: 5.39"
- Magnet: Ferrite 66 oz
- Net Weight: 5.44 Kg

GEN-X124D

12"

- 450 Watts RMS Power
- 900 Watts MAX Power
- Free Air Response (Fs): 43 Hz
- Sensitivity: 87.5dB
- Voice Coil: 2"
- X-Max: 0.70" / 17.8 mm
- Mounting Depth: 5.75"
- Magnet: Ferrite 66 oz
- Net Weight: 5.89 Kg

GEN-X15.4D

15"

- 500 Watts RMS Power
- 1000 Watts MAX Power
- Free Air Response (Fs): 38 Hz
- Sensitivity: 88.5dB
- Voice Coil: 2"
- X-Max: 0.70" / 17.8 mm
- Mounting Depth: 6.85"/174mm
- Magnet: Ferrite 70 oz
- Net Weight: 6.33 Kg

GEN-X





SUBWOOFER



SELECT S FEATURES

- Black Steel Basket
- Foam Edge and Paper Cone
- Black Aluminum Single 4 Layer Voice Coil

SELECT

SLC-8S 8"

- 200 Watts RMS Power
- 400 Watts MAX Power
- Free Air Response (Fs): 50 Hz
- Sensitivity: 84dB
- Voice Coil: 2"
- X-Max: 0.64" / 16.5 mm
- Magnet: Ferrite 38 oz
- Net Weight: 3 Kg

SLC-10S 10"

- 220 Watts RMS Power
- 440 Watts MAX Power
- Free Air Response (Fs): 40 Hz
- Sensitivity: 88dB
- Voice Coil: 2"
- X-Max: 0.66" / 17mm
- Magnet: Ferrite 45 oz
- Net Weight: 3.5 Kg

SLC-12S 12"

- 250 Watts RMS Power
- 500 Watts MAX Power
- Free Air Response (Fs): 41 Hz
- Sensitivity: 90dB
- Voice Coil: 2"
- X-Max: 0.66" / 17mm
- Magnet: Ferrite 45 oz
- Net Weight: 4 Kg

SELECT MD FEATURES

- Black Steel Basket
- Rubber Edge and PPI Cone
- ACCAW 4 Layer Voice Coil

SLC-MD10 4 OHMS 10"

SLC-MD10.4D 4 + 4 OHMS

- 200 Watts RMS Power
- 400 Watts MAX Power
- Free Air Response (Fs): 41. Hz
- Sensitivity: 85.2dB
- Voice Coil: 2"
- X-Max: 0.53" / 13.5mm
- Mounting Depth: 3.85"
- Magnet: Ferrite 32 oz
- Net Weight: 3 Kg

SLC-MD12 4 OHMS 12"

SLC-MD12.4D 4 + 4 OHMS

- 250 Watts RMS Power
- 500 Watts MAX Power
- Free Air Response (Fs): 29.6. Hz
- Sensitivity: 90dB
- Voice Coil: 2"
- X-Max: 0.54" / 13.8mm
- Mounting Depth: 5.5"
- Magnet: Ferrite 42 oz
- Net Weight: 3.5 Kg





IXS



SUBWOOFER

SW FEATURES

- Black Aluminum Basket
- Rubber Edge and Paper Cone with Fiber Glass
- Black Aluminum 4 Layer Voice Coil
- 2.5" Voice Coil

10"

IXS10.4D 4 + 4 OHMS

IXS10.S4 4 OHMS

- 500 Watts RMS Power
- 1000 Watts MAX Power
- Free Air Response (Fs): 38 Hz
- Sensitivity: 84dB
- X-Max: 0.43"/11 mm
- Mounting Depth: 3.66"
- Magnet: Ferrite 62 oz
- Net Weight: 5 Kg

12"

IXS12.D4 4 + 4 OHMS

IXS12.S4 4 OHMS

- 800 Watts RMS Power
- 1600 Watts MAX Power
- Free Air Response (Fs): 35 Hz
- Sensitivity: 85.1dB
- X-Max: 0.40"/10.3 mm
- Mounting Depth: 4.33"
- Magnet: Ferrite 62 oz
- Net Weight: 6 Kg

SHALLOW





SUBWOOFER

SRW FEATURES

- Red Steel Basket
- Rubber Edge and Paper Cone
- BASV 4 Layer Voice Coil

6.5"

SRW6.4D 4 + 4 OHMS

SRW6.4 4 OHMS

- 120 Watts RMS Power
- 240 Watts MAX Power
- Free Air Response (Fs): 70 Hz
- Sensitivity: 84dB
- Voice Coil: 1.5"
- X-Max: 0.47"/ 12 mm
- Mounting Depth: 2.52"
- Magnet: Ferrite 24 oz

8"

SRW8.4D 4 + 4 OHMS

SRW8.4 4 OHMS

- 150 Watts RMS Power
- 300 Watts MAX Power
- Free Air Response (Fs): 63.9 Hz
- Sensitivity: 86dB
- Voice Coil: 1.5"
- X-Max: 0.49"/ 12.5 mm
- Mounting Depth: 2.95"
- Magnet: Ferrite 32 oz

10"

SRW10.4D 4 + 4 OHMS

SRW10.4 4 OHMS

- 200 Watts RMS Power
- 400 Watts MAX Power
- Free Air Response (Fs): 50 Hz
- Sensitivity: 86dB
- Voice Coil: 2"
- X-Max: 0.62"/ 16 mm
- Mounting Depth: 3.07"
- Magnet: Ferrite 45 oz

12"

SRW12.4D 4 + 4 OHMS

SRW12.4 4 OHMS

- 220 Watts RMS Power
- 440 Watts MAX Power
- Free Air Response (Fs): 54 Hz
- Sensitivity: 88dB
- Voice Coil: 2"
- X-Max: 0.59"/ 15 mm
- Mounting Depth: 3.54"
- Magnet: Ferrite 45 oz

SHALLOW

6.5" dimensions: $\phi 6.61" / 168 \text{ mm}$, $4.91" / 74 \text{ mm}$, $2.52" / 64 \text{ mm}$, $\phi 5.63" / 143 \text{ mm}$

8" dimensions: $\phi 8.46" / 215 \text{ mm}$, $3.46" / 88 \text{ mm}$, $2.95" / 75 \text{ mm}$, $\phi 7.12" / 181 \text{ mm}$

10" dimensions: $\phi 10.24" / 260 \text{ mm}$, $3.62" / 92 \text{ mm}$, $3.07" / 78 \text{ mm}$, $\phi 9.13" / 232 \text{ mm}$

12" dimensions: $\phi 12.44" / 316 \text{ mm}$, $4.13" / 105 \text{ mm}$, $3.54" / 90 \text{ mm}$, $\phi 10.98" / 279 \text{ mm}$

SQ4 PACKAGE INCLUDES:

Component Speaker: SQCOMP (PAIR)

- Size: 165mm (6.5")
- RMS Power: 60 Watts
- MAX Power: 180 Watts
- Sensitivity: 91dB
- Impedance: 4 ohm
- Mounting Depth: 65mm
- Mounting Diameter: 135mm
- Frequency Response: 45Hz - 20KHz
- Mode of Frequency Division: 2-Way
- Magnet: Neodymium Grade 35
- Voice Coil: 1.18"
- Cone Stand Structure: Integrated Structure
- Cone Woofer: Polymerization Resin + High Foam Edge

Amplifier: CANDY-X4W

- RMS Power @ 14.4VDC
- Power @ 4 ohm: 4 x 80 Watts
- Power @ 2 ohm: 4 x 120 Watts
- Bridged Power @ 4 ohm: 2 x 240 Watts
- Min. Speaker Impedance: 2 ohm
- THD Distortion: 0.01%
- Frequency Response: 20Hz ~ 20KHz
- Input Sensitivity: 0.2V ~ +6V
- Input Impedance: 10K
- Signal-to-Noise Ratio: 100dB
- Channel Separation: 50dB
- Crossover Network
- High Pass Filter: 40Hz ~ 250Hz
- Low Pass Filter: 40Hz ~ 250Hz
- Bass Boost: 0 dB ~ +12dB
- Fuse Rating: 2 x 25A
- Size L x W x H: 234.4 x 127 x 44mm

Tweeter: SQTW (PAIR)

- Nominal Impedance: 4 ohm
- RMS Power: 40 Watts
- MAX Power: 120 Watts
- Sensitivity: 88dB
- Frequency: 2K-20KHz
- Voice coil Diameter: 1.1"
- Voice Coil Former Material: ASV
- Diaphragm Material: Silk Dome
- Basket Material: Plastic
- Magnet Material: Neodymium

Coaxial Speaker: SQCOAX (PAIR)

- 6.5" Coaxial Speaker 4 ohm
- Mode of Frequency Division: 2-Way
- RMS Power: 60 Watts
- MAX Power: 180 Watts
- Sensitivity: 91dB
- Frequency Response: 45Hz - 20KHz
- Magnet: Neodymium Grade 35
- Cone: Bulletproof Fabric + Rubber Edge
- Tweeter: Silk Film Dome
- Woofer: 1.18" VC
- Tweeter: 0.7" VC
- Cone Stand Structure: Integrated Structure
- Mounting Depth: 69mm
- Mounting Diameter: 135mm

Subwoofer: SQBASS

- 8" Subwoofer 2 ohm
- Signal-to-Noise Ratio: >80dB
- Low Pass Filter: 50-150Hz
- Frequency Response: 20Hz - 150Hz
- Sensitivity, High Level: 300mV - 10V
- Sensitivity, Low Level: 100mV - 3.5V
- Size L x W x H: 290 x 245 x 77mm
- RMS Power@ 14.4 V DC
- 2 ohm: 1 x 150 Watts
- THD: <0.5%
- Bass Boost: 0 to +12dB
- Subsonic Filter: 20Hz
- Fuse Rating: 25A

CROSSOVER (PAIR)

- Frequency Crossover: 3.5KHz
- dB/OCT tweeter: 12dB
- Woofer
- dB/OCT Crossover: 6dB

SQ4

COMPLETE SOUND QUALITY SET



SQ2 PACKAGE INCLUDES:

CROSSOVER (PAIR)

- Tweeter Crossover
- Frequency Crossover: 3.5 KHz
- dB/OCT Crossover: 12dB
- Woofer Crossover
- Frequency Crossover: 3.5KHz
- dB/OCT Crossover: 6dB

Tweeter: SQTW (PAIR)

- Nominal Impedance: 4 ohm
- RMS Power: 40 Watts
- MAX Power: 120 Watts
- Sensitivity: 88dB
- Frequency: 2K-20KHz
- Voice coil Diameter: 1.1"
- Voice Coil Former Material: ASV
- Diaphragm Material: Silk Dome
- Basket Material: Plastic
- Magnet Material: Neodymium

Component Speaker: SQCOMP (PAIR)

- Size: 165mm (6.5")
- RMS Power: 60 Watts
- MAX Power: 180 Watts
- Sensitivity: 91dB
- Impedance: 4 ohm
- Mounting Depth: 65mm
- Mounting Diameter: 135mm
- Frequency Response: 45Hz - 20KHz
- Mode of Frequency Division: 2-Way
- Magnate: Neodymium Grade 35
- Voice Coil: 1.18"
- Cone Stand Structure: Integrated Structure
- Cone: Woofer: Polymerization Resin + High
- Foam Edge / Tweeter: Silk Film Dome

Subwoofer: SQBASS

- 8" Subwoofer 2 ohm
- Signal-to-Noise Ratio: >80dB
- Low Pass Filter: 50-150Hz
- Frequency Response: 20Hz - 150Hz
- Sensitivity, High Level: 300mV - 10V
- Sensitivity, Low Level: 100mV - 3.5V
- Size L x W x H: 290 x 245 x 77mm
- RMS Power@ 14.4 V DC
- 2 ohm: 1 x 150 Watts
- THD: <0.5%
- Bass Boost: 0 to +12dB
- Subsonic Filter: 20Hz
- Fuse Rating: 25A

SQ2

**SOUND
QUALITY BASS
& COMPONENT SET**



UNDER SEAT AMPLIFIED SUBWOOFER

SQBASS-8

BLACK

- 8" Subwoofer 2 ohm
- RMS Power@ 14.4 V DC
- 2 ohm: 1 x 150 Watts
- THD: <0.5%
- Bass Boost: 0 to +12dB
- Subsonic Filter: 20Hz
- Fuse Rating: 25A
- Signal-to-Noise Ratio: >80dB
- Low Pass Filter: 50-150Hz
- Frequency Response: 20Hz - 150Hz
- Input Sensitivity, High Level: 300mV - 10V
- Input Sensitivity, Low Level: 100mV - 3.5V
- Size L x W x H: 290 x 245 x 77mm
- 8" Subwoofer 2 ohm
- RMS Power@ 14.4 V DC
- 2 ohm: 1 x 150 Watts
- THD: <0.5%
- Bass Boost: 0 to +12dB
- Subsonic Filter: 20Hz
- Fuse Rating: 25A
- Frequency Crossover: 3.5KHz
- Tweeter Crossover
- Frequency Crossover: 3.5KHz
- dB/OCT Crossover: 12dB
- Woofer Crossover
- dB/OCT Crossover: 6dB





ELITE VX 12" WITH MDF ENCLOSURE

Z-VX112LD

- 1450 Watts MAX Power Handling
- 725 Watts RMS Power
- Black Carpet Finish and Red painted Trim with White DS18 Logo
- MDF Enclosure with Bass Reflex
- Tune Port: 35Hz
- Internal Volume: 1.6 Ft³
- F3: 32 Hz
- 2 ohm Load
- 12 AWG Speaker Connector
- Dimensions: D1 x D2 x W x H
185 x 265 x 418 x 301mm



Z-VX212LD

- 2900 Watts MAX Power Handling
- 1450 Watts RMS Power
- Black Carpet Finish and Red painted Trim with White DS18 Logo
- MDF Enclosure with Bass Reflex
- Tune Port: 35Hz
- Internal Volume: 3.2 Ft³
- F3: 32 Hz
- 1 ohm Load (2 x 2 ohm)
- Dual 12 AWG
- Dimensions: D1 x D2 x W x H
185 x 265 x 418 x 301mm



BASS PACKAGE WITH MDF ENCLOSURE, CARBON FIBER VINYL WRAP AND BUILT IN AMPLIFIER

- MDF Enclosure with Bass Reflex
- Carbon Fiber Vinyl Wrap Finish
- 600W Max Class A/B Amp Built-in
- Bass Knob Remote Control
- Complete 8 AWG installation Kit Included
- 10"/12" SVC, PPI Cone, Rubber Edge Subwoofer

BPX110A 1 X 10"

- 600 Watts MAX Power Handling
- Dimensions: D1 x D2 x W x H
185 x 265 x 418 x 301mm

BPX112A 1 X 12"

- 650 Watts MAX Power Handling
- Dimensions: D1 x D2 x W x H
226 x 315 x 481 x 365mm

BPX210A 2 X 10"

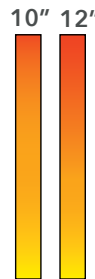
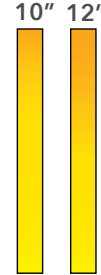
- 1200 Watts MAX Power Handling
- Dimensions: D1 x D2 x W x H
185 x 265 x 736 x 301mm

BPX212A 2 X 12"

- 1300 Watts MAX Power Handling
- Dimensions: D1 x D2 x W x H
226 x 315 x 884 x 365mm



BUILT IN CLASS A/B AMPLIFIER



BASS PACKAGE WITH MDF ENCLOSURE AND AMPLIFIER

- MDF Enclosure with Bass Reflex
- Black Carpet Finish with DS18 Stitching
- 600W Max Class A/B Amp Built-in
- Bass Knob Remote Control
- Complete 8 AWG installation Kit Included
- 10"/12" SVC, PPI Cone, Rubber Edge Subwoofer

BP110 1 X 10"

- 600 Watts MAX Power Handling
- Dimensions: D1 x D2 x W x H
185 x 267 x 370 x 265mm

BP112 1 X 12"

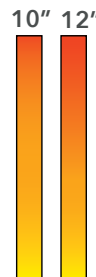
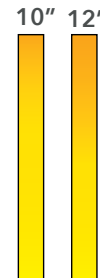
- 650 Watts MAX Power Handling
- Dimensions: D1 x D2 x W x H
220 x 320 x 442 x 365mm

BP210 2 X 10"

- 1200 Watts MAX Power Handling
- Dimensions: D1 x D2 x W x H
185 x 267 x 733 x 302mm

BP212 2 X 12"

- 1300 Watts MAX Power Handling
- Dimensions: D1 x D2 x W x H
220 x 320 x 808 x 365mm



COMPLETE 8 GAUGE INSTALLATION KIT INCLUDES

- 2 Color-Coded Nickel-Plated Ring Terminals
- 1 x Nickel-Plated Mini-ANL Fuse Holder with 40A Fuse
- 1 x 17 ft Red 8 Gauge Power Cable
- 1 x 3 ft Black 8 Gauge Ground Cable
- 1 x 17 ft 2-Channel Twisted Pair RCA Cable
- 1 x 17 ft Gray 18 Gauge Remote Wire
- 5 x Nickel-Plated Spade Terminals
- 1 x 18 Gauge Butt Connector
- 10 Black Zip Cable Ties
- 1 x 10 ft Speaker Cable
- 1 x 8 Gauge Grommet



MONOBLOCK SPL AMPLIFIERS

CLASS D

HOOL-SPL3.5K

1 CHANNEL

- Power @ 1 ohms (14.4V): 1 x 3500W
- Power @ 2 ohms (14.4V): 1 x 2100W
- Power @ 4 ohms (14.4V): 1 x 1100W
- Power @ 1 ohms (16V): 1 x 4600W
- Fuse Rating 350A
- 1 x 0GA Input
- Size (LxWxH) mm: 560 x 250 x 58

HOOL-SPL5K

1 CHANNEL

- Power @ 1 ohms (14.4V): 1x 5000W
- Power @ 2 ohms (14.4V): 1x 2800W
- Power @ 4 ohms (14.4V): 1x1500W
- Power @ 1 ohms (16V): 1x 6500W
- Fuse Rating 500A
- 2 x 0GA Input
- Size (LxWxH) mm: 590 x 250 x 58

HOOL-SPLX

1 CHANNEL

- Power @ 1 ohms (13.8V): 1x 7000W
- Power @ 2 ohms (13.8V): 1x 4500W
- Power @ 4 ohms (13.8V): 1x 2000W
- Power @ 2 ohms (13.8V): 1x 10000W
- Fuse Rating 750A
- 2 x 0GA Input
- Size (LxWxH) mm: 750 x 250 x 63.5

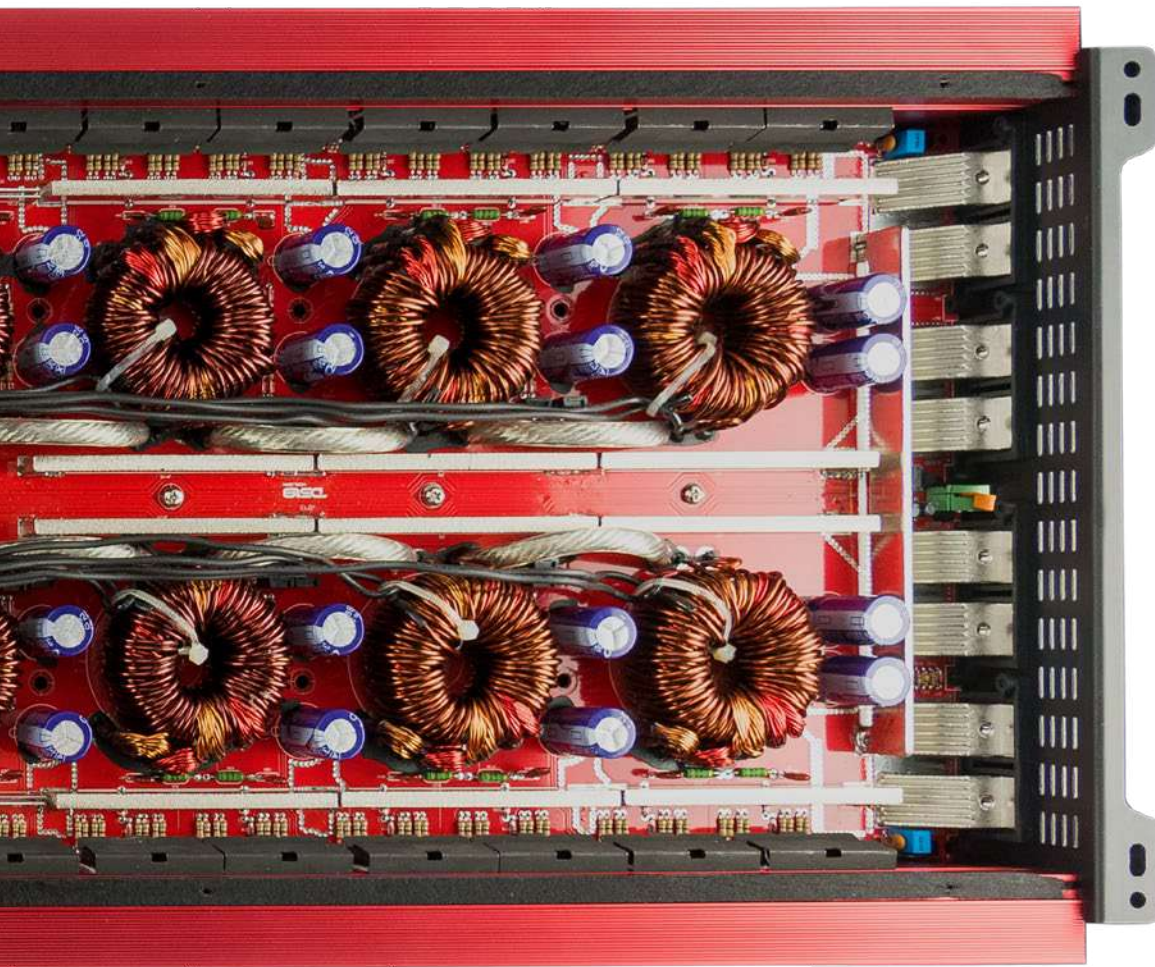
HOOL-SPLXV

1 CHANNEL

- Power @ 1 ohms (14.4V): 1x 10000W
- Power @ 2 ohms (14.4V): 1x 5500W
- Power @ 4 ohms (14.4V): 1x 3500W
- Power @ 1 ohms (16V): 1x 15000W
- Fuse Rating 1000A
- 2 x 0GA Input
- Size (LxWxH) mm: 1041x 292 x 88.9



REMOTE KNOB



15K

Made in South Korea, HOOL-SPL series amplifiers provide the most advanced SPL options for audiophiles seeking maximum power with unparalleled performance and sophistication. Find the most powerful subwoofers and plug them to the SPL series. Create an elaborate build, Compete, Win. These amplifiers are the highest rated amplifiers today's technology can manufacture. Only recommended for serious installers, competitors, and people who want to be heard by anyone within a mile radius.



HOOLIGANX



PRO



FULL RANGE AMPLIFIERS

CLASS D

FRX1K

1 CHANNEL

- Power @ 1 ohms (14.4V): 1000W
- Power @ 2 ohms (14.4V): 600W
- Power @ 4 ohms (14.4V): 400W
- Fuse Rating 90A
- 1x 4 AWG Input
- Size (LxWxH) mm: 179.2 x 186 x 56.5

FRX2K

1 CHANNEL

- Power @ 1 ohms (14.4V): 2000W
- Power @ 2 ohms (14.4V): 1300W
- Power @ 4 ohms (14.4V): 900W
- Fuse Rating 160A
- 1x 0 AWG Input
- Size (LxWxH) mm: 259.2 x 186 x 56.5

FRX3.5K

1 CHANNEL

- Power @ 1 ohms (14.4V): 3500W
- Power @ 2 ohms (14.4V): 2000W
- Power @ 4 ohms (14.4V): 1300W
- Fuse Rating 300A
- 1x 0 AWG Input
- Size (LxWxH) mm: 349.2 x 186 x 56.5

DS18 EXCLUSIVE

FRX4K4

4 CHANNEL @ 1 OHM

- Power @ 1 ohms (14.4V): 1000W x 4 CH
- Power @ 2 ohms (14.4V): 680W x 4 CH
- Power @ 4 ohms (14.4V): 400W x 4 CH
- Bridged Power @ 2 ohms (14.4V): 2000W x 2 CH
- Bridged Power @ 4 ohms (14.4V): 1360W x 2 CH
- Clip LED Indicator
- Fuse Rating 330A
- 1 x 0 AWG Input
- Size (LxWxH) mm: 479.2 x 186 x 56.5

FRX FEATURES

- Extreme Dynamic Power
- Wide Band Crossover Adjustable
- Forced Cooling System
- Level Knob Remote Control
- Full Range Monoblock (20Hz-20KHz)
- 4 AWG



FULL RANGE AMPLIFIERS

CLASS D

EXL-SQ160.2

2 CHANNELS

- Max Power 320W
- Power @ 4 ohms 2 x 80W
- Power @ 2 ohms 2 x 125W
- Bridge Power @ 4 ohms 1 x 250W
- Fuse Rating 1 x 25A
- 4 GA Input
- Size (LxWxH) mm: 184 x 170 x 51

EXL-SQ300.2

2 CHANNELS

- Max Power 600W
- Power @ 4 ohms 2 x 150W
- Power @ 2 ohms 2 x 250W
- Bridge Power @ 4 ohms 1 x 500W
- Fuse Rating 1 x 40A
- 4 GA Input
- Size (LxWxH) mm: 214 x 170 x 51

EXL-SQ600.2

2 CHANNELS

- MAX Power 1200W
- Power @ 4 ohms 2 x 300W
- Power @ 2 ohms 2 x 420W
- Bridge Power @ 4 ohms 1 x 840W
- Fuse Rating 2 x 40A
- 0GA Input
- Size (LxWxH) mm: 264 x 170 x 51

EXL-SQ1200.2

2 CHANNELS

- Max Power 2400W
- Power @ 4 ohms 2 x 600W
- Power @ 2 ohms 2 x 850W
- Bridge Power @ 4 ohms 1 x 1700W
- Fuse Rating 4 x 40A
- 0 GA Input
- Size (LxWxH) mm: 334 x 170 x 51

EXL-SQ320.4

4 CHANNELS

- MAX Power 640W
- Power @ 4 ohms 4 x 80W
- Power @ 2 ohms 4 x 125W
- Bridge Power @ 4 ohms 2 x 250W
- Fuse Rating 2 x 25A
- 4 GA Input
- Size (LxWxH) mm: 264 x 170 x 51

EXL-SQ600.4

4 CHANNELS

- MAX Power 1200W
- Power @ 4 ohms 4 x 150W
- Power @ 2 ohms 4 x 250W
- Bridge Power @ 4 ohms 2 x 500W
- Fuse Rating 2 x 40A
- 4 GA Input
- Size (LxWxH) mm: 314 x 170 x 51

EXL-SQ1000.4

4 CHANNELS

- MAX Power 2000W
- Power @ 4 ohms 4 x 250W
- Power @ 2 ohms 4 x 500W
- Bridge Power @ 4 ohms 2 x 720W
- Fuse Rating 4 x 40A
- 0 GA Input
- Size (LxWxH) mm: 334 x 170 x 51

SUBWOOFER AMPLIFIERS

CLASS D

EXL-SQ600.1D

1 CHANNELS

- MAX Power 1200W
- Power @ 4 ohms 250W
- Power @ 2 ohms 400W
- Power @ 1 ohms 600W
- Fuse Rating 2 x 30A
- 4 GA Input
- Size (LxWxH) mm: 264 x 170 x 51

EXL-SQ1000.1D

1 CHANNELS

- MAX Power 2000W
- Power @ 4 ohms 440W
- Power @ 2 ohms 730W
- Power @ 1 ohms 1000W
- Fuse Rating 3 x 40A
- 0 GA Input
- Size (LxWxH) mm: 294 x 170 x 51

EXL-SQ1600.1D

1 CHANNELS

- MAX Power 3200W
- Power @ 4 ohms 700W
- Power @ 2 ohms 1120W
- Power @ 1 ohms 1600W
- Fuse Rating 4 x 40A
- 0 GA Input
- Size (LxWxH) mm: 384 x 170 x 51

EXL-SQ3000.1D

1 CHANNELS

- MAX Power 6000W
- Power @ 4 ohms 1300W
- Power @ 2 ohms 2000W
- Power @ 1 ohms 3000W
- Fuse Rating 350A (*RECOMMENDED*)
- 0 GA Input
- Size (LxWxH) mm: 534 x 170 x 51

CLASS D

EXL-SQ

EXL

EXL-SQ FEATURES

- Latest Smc Technology
- Tiffany Rca Jacks
- Led Clip Indicator
- Class D: Dynamic Power Amp
- Full Adjustable Crossover



ELITE

DS18 ELITE-Z amplifiers are designed for every day car audio lovers and competitors alike. All amps in this line feature Black extra heavy heatsink with MOSFET psu transistors and have 1-Ohm stable circuits. Remote bass knob included with all models. With their unique look, sleek design and impressive power quality the ELITE-Z Series will be sure to turn some heads.

ELITE-Z FEATURES

- Tiffany RCA Jacks
- Extra Heavy Heatsink
- Remote Bass Knob Included
- Full Adjustable Crossover

FULL RANGE AMPLIFIERS

CLASS A / B

Z-3K2

2 CHANNELS

- Max Power 3000W
- Power @ 4 ohms 2x 150W
- Power @ 2 ohms 2x 230W
- Bridge Power @ 4 ohms 1x 460W
- Fuse Rating 3x 25A
- 4 AWG
- Size (LxWxH) mm: 386 x 239 x 54

Z-3K4

4 CHANNELS

- Max Power 3000W
- Power @ 4 ohms 4x 150W
- Power @ 2 ohms 4x 225W
- Bridge Power @ 4 ohms 2x 450W
- Fuse Rating 3x 40A
- 4 AWG
- Size (LxWxH) mm: 481 x 239 x 54

SUBWOOFER AMPLIFIERS

CLASS D

Z-3K1D

1 CHANNELS

- Max Power 3000W
- Power @ 4 ohms 1x 420W
- Power @ 2 ohms 1x 720W
- Power @ 1 ohms 1x 1020W
- Fuse Rating 3x 40A
- 4 AWG
- Size (LxWxH) mm: 365 x 239 x 54

Z-6K1D

1 CHANNELS

- Max Power 6000W
- Power @ 4 ohms 1x 800W
- Power @ 2 ohms 1x 1400W
- Power @ 1 ohms 1x 2000W
- Fuse Rating 2x 100A
- 4 AWG
- Size (LxWxH) mm: 468 x 239 x 54



LEVEL REMOTE



GEN-X

ELITE-Z FEATURES

- LED Back light DS18 Logo
- Bass Knob Level Included
- Full Adjustable Crossover

FULL RANGE AMPLIFIERS

CLASS A / B

GEN-X800.2

2 CHANNELS

- Max Power 800W
- Power @ 4 ohms 2x 80W
- Power @ 2 ohms 2x 120W
- Bridge Power @ 4 ohms 1x 200W
- Fuse Rating 2x 15A
- 8 AWG
- Size (LxWxH) mm: 330 x 190 x 55

GEN-X1200.2

2 CHANNELS

- MAX Power 1200W
- Power @ 4 ohms 2x 120W
- Power @ 2 ohms 2x 180W
- Bridge Power @ 4 ohms 1x 300W
- Fuse Rating 2x 25A
- 8 AWG
- Size (LxWxH) mm: 400x 190 x 55

GEN-X2000.2

2 CHANNELS

- MAX Power 2000W
- Power @ 4 ohms 2x 160W
- Power @ 2 ohms 2x 270W
- Bridge Power @ 4 ohms 1x 500W
- Fuse Rating 2x 35A
- 8 AWG
- Size (LxWxH) mm: 430 x 190 x 55

GEN-X900.4

4 CHANNELS

- Max Power 900W
- Power @ 4 ohms 2x 60W
- Power @ 4 ohms 2x 90W
- Bridge Power @ 4 ohms 2x 150W
- Fuse Rating 2x 15A
- 8 AWG
- Size (LxWxH) mm: 380 x 190 x 55

GEN-X1600.4

4 CHANNELS

- MAX Power 1600W
- Power @ 4 ohms 2x 80W
- Power @ 4 ohms 2x 120W
- Bridge Power @ 4 ohms 2x 200W
- Fuse Rating 2x 25A
- 8 AWG
- Size (LxWxH) mm: 430 x 190 x 55

GEN-X2000.4

4 CHANNELS

- MAX Power 2000W
- Power @ 4 ohms 4 x 120W
- Power @ 2 ohms 4 x 180W
- Bridge Power @ 4 ohms 2 x 300W
- Fuse Rating 3 x 35A
- 0 AWG
- Size (LxWxH) mm: 500 x 190 x 55

GEN-X3700.4

4 CHANNELS

- MAX Power 3700W
- Power @ 4 ohms 4 x 160W
- Power @ 2 ohms 4 x 270W
- Bridge Power @ 4 ohms 2 x 470W
- Fuse Rating 3 x 40A
- 0 AWG
- Size (LxWxH) mm: 540 x 190 x 55

SUBWOOFER AMPLIFIERS

CLASS A/B

GEN-X1200.1

1 CHANNELS

- MAX Power 1200W
- Power @ 4 ohms 1 x 130W
- Power @ 2 ohms 1 x 220W
- Power @ 1 ohms 1 x 310W
- Fuse Rating 2 x 20A
- 8 AWG
- Size (LxWxH) mm: 380 x 190 x 55

SUBWOOFER AMPLIFIERS

CLASS D

GEN-X1800.1D

1 CHANNELS

- MAX Power 1800W
- Power @ 4 ohms 1x 250W
- Power @ 2 ohms 1x 450W
- Power @ 1 ohms 1x 600W
- Fuse Rating 2 x 35A
- 8 GA Input
- Size (LxWxH) mm: 330 x 190 x 55

GEN-X3000.1D

1 CHANNELS

- MAX Power 3000W
- Power @ 4 ohms 1x 430W
- Power @ 2 ohms 1x 700W
- Power @ 1 ohms 1x 1000W
- Fuse Rating 4 x 30A
- 4 GA Input
- Size (LxWxH) mm: 340 x 190 x 55

GEN-X4500.1D

1 CHANNELS

- MAX Power 4500W
- Power @ 4 ohms 1x 500W
- Power @ 2 ohms 1x 900W
- Power @ 1 ohms 1x 1500W
- Fuse Rating 4 x 40A
- 0 GA Input
- Size (LxWxH) mm: 430 x 190 x 55

GEN-X6000.1D

1 CHANNELS

- MAX Power 6000W
- Power @ 4 ohms 1x 700W
- Power @ 2 ohms 1x 1200W
- Power @ 1 ohms 1x 2000W
- Fuse Rating 200A (Recommended)
- 0 GA Input
- Size (LxWxH) mm: 478 x 190 x 55

LEVEL REMOTE



BUILT - IN LED LIGHT



FULL RANGE AMPLIFIERS

2 CHANNELS

S1100.2/SL SILVER

S1100.2/RD RED

- Max Power 1100W
- Power @ 4 ohms 2x 60W
- Power @ 2 ohms 2x 80W
- Bridge Power @ 4 ohms 1x 150W
- Fuse Rating: 20A
- 4 GA Input
- Size (LxWxH) mm: 188 x 148 x 47.5

S1600.2/SL SILVER

S1600.2/RD RED

- Max Power 1600W
- Power @ 4 ohms 2x 90W
- Power @ 2 ohms 2x 130W
- Bridge Power @ 4 ohms 1x 235W
- Fuse Rating: 40A
- 4 GA Input
- Size (LxWxH) mm: 278 x 148 x 47.5

4 CHANNELS

S1500.4D/SL SILVER

S1500.4D/RD RED

- Max Power 1500W
- Power @ 4 ohms 4x 90W
- Power @ 2 ohms 4x 130W
- Bridge Power @ 4 ohms 2x 235W
- Fuse Rating: 80A
- 4 GA Input
- Size (LxWxH) mm: 163 x 148 x 47.5

S1800.4/SL SILVER

S1800.4/RD RED

- Max Power 1800W
- Power @ 4 ohms 4x 100W
- Power @ 2 ohms 4x 150W
- Bridge Power @ 4 ohms 2x 280W
- Fuse Rating: 100A
- 4 GA Input
- Size (LxWxH) mm: 348 x 148 x 47.5

S3000.4D/SL SILVER

S3000.4D/RD RED

- Max Power: 3000W
- Power @ 4 ohms 4x 190W
- Power @ 2 ohms 4x 295W
- Bridge Power @ 4 ohms 2x 544W
- Fuse Rating: 120A
- 4 GA Input
- Size (LxWxH) mm: 228 x 148 x 47.5

1 CHANNELS

S1500.1/SL SILVER

S1500.1/RD RED

- Max Power: 1500W
- Power @ 4 ohms 1x 220W
- Power @ 2 ohms 1x 350W
- Fuse Rating: 40A
- 4 GA Input
- Size (LxWxH) mm: 348 x 148 x 47.5

S2500.1D/SL SILVER

S2500.1D/RD RED

- Max Power 2500W
- Power @ 4 ohms 1x 350W
- Power @ 2 ohms 1x 600W
- Power @ 1 ohms 1x 900W
- Fuse Rating: 120A
- 4 GA Input
- Size (LxWxH) mm: 198 x 148 x 47.5

S3500.1D/SL SILVER

S3500.1D/RD RED

- Max Power 3500W
- Power @ 4 ohms 1x 500W
- Power @ 2 ohms 1x 800W
- Power @ 1 ohms 1x 1200W
- Fuse Rating 140A
- 4 GA Input
- Size (LxWxH) mm: 248 x 148 x 47.5

SELECT



CANDY

LEVEL REMOTE

The DS18 CANDY-X Series offers mini, compact amplifiers that not only have the juice to power your system but will also save you a ton of space in your car or bike. Don't sacrifice comfort for better sound when you can simultaneously have both. The CANDY Series comes in monoblock, stereo, and multichannel configurations available in White & Black.



CANDY-X1B

1 CHANNELS

- Max Power 1800W
- Power @ 4 ohms 1x 240W
- Power @ 2 ohms 1x 400W
- Power @ 1 ohms 1x 600W
- Fuse Rating 2x 35A
- 4 GA Input
- Size (LxWxH) mm: 220 x 127 x 47.5

CANDY-XXL1B

1 CHANNELS

- Max Power 3000W
- Power @ 4 ohms 1x 400W
- Power @ 2 ohms 1x 650W
- Power @ 1 ohms 1x 1000W
- Fuse Rating 3x 35A
- 4 GA Input
- Size (LxWxH) mm: 280 x 127 x 47.5

CANDY-X2B

2 CHANNELS

- Max Power 800W
- Power @ 4 ohms 2x 80W
- Power @ 2 ohms 2x 120W
- Power @ 1 ohms 1x 240W
- Fuse Rating 1x 25A
- 4 GA Input
- Size (LxWxH) mm: 180 x 127 x 47.5

CANDY-X4B

4 CHANNELS

- Max Power 1600W
- Power @ 4 ohms 4x 80W
- Power @ 2 ohms 4x 120W
- Power @ 1 ohms 2x 240W
- Fuse Rating 2x 25A
- 4 GA Input
- Size (LxWxH) mm: 234.4 x 127 x 47.5

CANDY-X5B

5 CHANNELS

- Max Power 2000W
 - Power @ 4 ohms 4x 80W
 - Power @ 2 ohms 4x 120W
 - Bridge Power @ 4 ohm 2x 240W
 - Fuse Rating 2x 25A
 - 4 GA Input
 - Size (LxWxH) mm: 280 x 127 x 47.5
- Monoblock Power:
- Power @ 4 ohms 1x 200W
 - Power @ 2 ohms 1x 320W
 - Power @ 1 ohm 1x 420W

CANDY-6

6 CHANNELS

- Power @ 4 ohms 6 x 80W
- Power @ 2 ohms 6x 125W
- Bridge Power @ 4 ohms 3 x 250W
- Fuse Rating 2 x 40A
- 4 GA Input
- Size (LxWxH) mm: 366 x 139 x 43



FULL RANGE AMPLIFIERS

CLASS D

ATOM FEATURES

- Ultra Compact Digital Amp. Design
- 2ch/4ch Input Selector for Easy Installation
- Wide Band Crossover for Multiple Operation
- Direct Power Inputs
- Fast Connector for Input and Speaker

ATOM1

1 CHANNELS

- Max Power 1000W
- Power @ 4 ohms 1x 180W
- Power @ 2 ohms 1x 320W
- Power @ 1 ohms 1x 500W
- Fuse Rating 1x 50A
- 8 GA Input
- Size (LxWxH) mm: 185 x 93.4 x 39.8

ATOM2

2 CHANNELS

- Max Power 880W
- Power @ 4 ohms 2x 150W
- Power @ 2 ohms 2x 220W
- Bridge Power @ 4 ohms 1x 440W
- Fuse Rating 2x 30A
- 8 GA Input
- Size (LxWxH) mm: 185 x 93.4 x 39.8

ATOM4

4 CHANNELS

- Max Power 800W
- Power @ 4 ohms 4x 75W
- Power @ 2 ohms 4x 100W
- Bridge Power @ 4 ohms 2x 200W
- Fuse Rating 1x 30A
- 8 GA Input
- Size (LxWxH) mm: 185 x 93.4 x 39.8

ATOM

ULTRA COMPACT DIGITAL AMPLIFIER

7.28"



BASS LEVEL KNOB

FULL RANGE AMPLIFIERS

CLASS D

X4 FEATURES

- Audio Precision Quality Control Verification
- Stable & Reliable Multi Layers PCB Trace Layout
- Selectable x-over: LPF/FLAT/HPF
- Input Configuration: 2Ch/4Ch
- Wide Band Crossover for Multiple Operation
- selectable x-over: LPF/FLAT/HPF
- Direct Power Inputs
- Fast Connector for Input and Speaker

X4

ULTRA SMALL FULL RANGE CLASS D AMP

5.5"



X4

4 CHANNELS

- Max Power 880W
- Power @ 4 ohms 4x 70W
- Power @ 2 ohms 4x 140W
- Bridge Power @ 4 ohms 2x 220W
- Fuse Rating 1 x 50A
- 12 GA Input
- Size (LxWxH) mm: 140 x 84.4 x 34



DIGITAL AUDIO PROCESSORS

DSP-68SQ 6 CH INPUT/ 8 CHANNELS OUTPUT WITH PHONE AND COMPUTER CONTROL

- 32-bit Δ - Σ A/D & D/A Conversion Technology
- 8 Channel High Volt RCA Output (4 STEREO)
- Bluetooth Compatibility for Audio Streaming and full control of DSP Parameters Using Android / IOS / PC App
- Signal Phase x 8CH
- Compress: Threshold / Ratio /Attack /Release
- 31 Band Parametric Equalizer x 8 CH
- Audio Mixing to Match Inputs and Outputs
- Time Delay x 8CH
- Crossover (High-Pass & Low-Pass Filter)
- Slope of 6dB to 48dB
- 6 Channel RCA Hi-Volt Input (3 STEREO)
- Optical Digital Audio Input
- Frequency Response: 10Hz - 33KHz
- Signal To Noise Ratio: >110dB
- THD: <0.002%
- Dynamic Range >114dB
- Auto On / Remote Trigger Switch Selector
- Remote Amp Output
- High Speed 3.0 USB Port to PC or Remote Control Connection
- Dimensions (L x W x H) mm:186 x 124 x 34.8
- DS18 App works for iOS and Android systems



DSP-16LCD 2 CHANNEL INPUT / 12 CHANNELS OUTPUT WITH ACTIVE DISPLAY

- Input Channels: 2 (L and R)
- Output Channels:12 (6 STEREO)
- Frequency Response: 20 Hz to 20 KHz (CH: 1,2,3 and 4)
6 KHz to 30KHz (CH5)
20 Hz to 30KHz (CH6)
- Master Semi-Parametric Equalizer: 15 Bands (-10 to +10 dB)
- Parametric Equalizer per Channel: 15 and (-12 to +12 dB)
- DSP Filter, 24-Bit Hi Pass
and Low Pass: 20Hz to 20 KHz (off/6/12/18/24/36/48 dB/Oct)
CH5: Hi Pass 12 dB/Oct CH6: FLAT
- Total Harmonic Distortion(THD): 0.002% @ 1 KHz
- 20Hz to 30KHz Signal to Noise Ratio: >90dB
- Phase: 0° and 180°
- Delay: 0 to 287 m
- Maximum Input Level: 0.62 V - CLIP / 10 Ω
- Maximum Output Level: 4.6Vpp/ 47 Ω
- Bar Graph: 0 to 6 Vpp with "Hold Peaks"
- Dimensions In millimeters (W x H x L): 9.75 x 4 x 1.5
- Weight: 680.4g/1.5 lb



MADE IN BRAZIL

DSP-14LCD 2 CHANNEL INPUT / 8 CHANNELS OUTPUT WITH ACTIVE DISPLAY

- Input Channels: 2 (L and R)
- Output Channels: 8 (4 Stereo)
- Frequency Response: 20Hz to 20 KHz
- Master Semi-Parametric Equalizer: 15 Bands -10 to +10 dB
- Parametric Equalizer per Channel: 1 Band -12 to +12dB
- DSP Filter,24-Bit Hi Pass and Low Pass:20Hz to 20KHz, (OFF / 6 / 12 / 18 /24/36 and 48 dB)
- Total Harmonic Distortion(THD): 0.002% at 1Khz
- 20Hz to 30KHz Signal to Noise Ratio:>90dB
- Phase: 0 and 180°
- Delay: 0 to 287 cm
- Maximum Input Level: 0.62 V - CLIP / 10 Ω
- Maximum Output Level: 4.6Vpp/ 470 Ω
- Bar Graph: 0 to 6 Vpp with "Hold Peaks"
- Dimensions In millimeters (W x H x L): 202 x 103 x 43
- Weight: 480 g / 1.05 Lbv

MADE IN BRAZIL



If you're looking to maximize sound quality and control over your system, look no further. Our EQ series features many band line drivers to assure we can meet the needs of even the most complex builds. These units have the ability to fine tune your audio system while giving you the ability to add a unique touch to your sound

KEQ30



HIGH PERFORMANCE 30 BANDS EQUALIZER

CLIPPING INDICATOR • HIGH VOLTAGE PREAMP • MONO STEREO SELECTOR

KEQ30

HIGH PERFORMANCE 30 BAND EQUALIZER

- 30 Bands at 1/3 octave spacing allows precise adjustment at each 1/3 octave measured frequency from 20 Hz to 20KHz
- 12dB boost or cut available at each of the 30 bands
- High voltage preamp accepts 500 mV to 9 volts audio signal & supplies up to 9 volts of output
- Separate left and right input/output controls allows precise adjustment to input sensitivity & channel balancing
- Separate left and right input/output clipping LED visual indicators to aid in setting input gain controls
- Mono/Stereo selector allows one KEQ30 to equalize both the left and right channels or two units for independent left and right equalization settings
- Tiffany RCA jacks allow high speed signal low transfer distortion
- Remote out allows to send out a turn on voltage to other audio equipment
- EQ/Bypass switch allows you to defeat the equalizer and compare equalized and non-equalized sound



KEQ20

6 CHANNEL LINE DRIVER/FACTORY STEREO EQUALIZER

- Front/Rear/Subwoofer Equalization (6 Band Subwoofer) (7 Band Front & Rear)
- High Level-Speaker Inputs and Sound Quality Restoration 100W
- High Voltage-RCA Input with Variable Output Voltage 15V
- Switchable Subwoofer Signal Sources
- Variable Pre Amp Voltage for Maximum Sound Level Matching
- Frequency Response: 10Hz-20KHz +/-1dB
- 10 Volts RMS Preout RCA
- Dimensions: 285mm x 220mm x 30mm
- High Quality RCA Input & Output Connectors
- Signal to Noise Ratio <110dB
- THD: 0.003%
- Equalization Cut/Boost +/-12 dB
- Stereo 3.5 mm Plug Input
- 2V, 6V Clip Indicator RCA Output
- Remote Amp Output Delayed

Bass Knob with Clipping Indicator



KEQ5 5 BAND STEREO EQUALIZER

- 5-Band Stereo Equalizer / Crossover Mobile
- 5 Equalization Bands (45Hz, 180Hz, 750Hz, 3.5KHz) Each Adjustable from -18dB to +18dB
- Active Gain Equalizer with Adjustable Input Sensitivity
- Master Volume Control with up to 7 Volts RMS of Output
- Individual Left and Right Sensitivity Controls
- Specific Bandwidth for Each Band Plus High Frequency Shelving
- On-Board 30V Bipolar Switching Power Supply
- Subwoofer Level Control
- Subwoofer Frequency Adjustable 60Hz - 90Hz
- Gold Plated RCA Input/Output Connectors
- Input RADIO / CD Select Switch
- Night illumination Design with 2 Color Selectable
- 4 Channel Separate Control for Fitting Front & Rear Field by Dual VR Type
- S/N Ratio 80dB REF IV Input / T.H.D 0.05%
- Frequency Response 10Hz-50KHz, +/- 1dB
- Stereo Separation 80dB / 1KHz
- Input Impedance 20K OHMS
- Operation Voltage 11~15V DC Negative Ground



KEQ4LD 4-BAND GRAPHIC EQUALIZER LINE DRIVER & 2-WAY CROSSOVER

- 4-Band Graphic Equalizer (45Hz - 120Hz - 2200Hz - 12,000Hz)
- Selectable Main & Aux. Inputs Gain Input Level
- Subwoofer Input (Mono & Stereo Selectable)
- 2-Way Crossover
- Low Pass Crossover 12dB/Oct.: 50/80/120Hz
- High Pass Crossover 12dB/Oct.: 80/120/200Hz
- Equalization Cut/Boost :18dB
- THD: 0.01%
- Channel Separation >80dB
- Signal to Noise Ratio: >100dB
- Hi-Vol Line Driver Output (11 Volts)



ACTIVE CROSSOVERS

XM6LD

6 WAY

- 6CH RCA Input With 2,4,6 CH Selector
- 12CH/6 Way RCA Output 11.5V
- High Pass Crossover 12dB/Oct.
- Low Pass Crossover 12dB/Oct.
- Band Pass Crossover 12dB/Oct.
- Output Level Control: 0.2V-11.5V
- Input/output Maximized LED Indicator
- Remote Control For SUB-Level
- 1 Subwoofer Band Low pass with Subsonic Filter, Phase and Level Control (40Hz-90Hz)
- 1 Midbass Band (40Hz - 1KHz)
- 3 Bandpass Band (40Hz - 12KHz)
- 1 High pass Band (1KHz - 12KHz)
- THD 0.04%
- Signal to Noise Ratio >105 dB
- Stereo Separation: >70 dB
- Dimensions: 1.5"x 6.5" x 8.5"

Bass Knob with Clip Indicator



XM3

3 WAY

- 3 Way Active Crossover with x20 Frequency Multiplier Switch
- Remote Sub Level Control, 0-180 Degree Subwoofer Phase Switch, Detected Frequency Selection Control, Gold RCA Input and Output Connectors, Bass Boost
- Power, Ground and Remote Connector, PWM Power Supply, LED Power Indicator,
- Signal To Noise Ratio >102dB
- Total Harmonic Distortion (1KHz, 1VRMS) 0.01%
- Crossover Slopes: 12dB/Octave Butterworth
- Crossover Frequencies: Front High Pass, Rear High Pass, and Subwoofer: 32Hz to 400Hz
- Remote Sub Level: +18dB Boost
- Low Level Input Voltage: 4VRMS
- Maximum Output (10 KΩ Load): 9vrms
- Supply Voltage: 9-15 VDC
- Dimensions: 125mm W x 170mm L x 47mm H

Bass Knob Level with Remote Control



BASS PROCESSORS

DIGITAL BASS PROCESSOR

DBP-1

- Maximum Input Level: 15V
- Maximum Output Level 13.5 V Peak (*Adjustable*)
- Frequency Response : 10 Hz - 100KHz ; +/-1dB
- Total Harmonic Distortion: 0.003%
- Signal to Noise Ratio: >130dB
- Balanced Input Noise Rejection: >60dB
- RCA Input Impedance: 10K ohm
- RCA Output Impedance: 150 ohm
- Power Supply: High Headroom PWM
- Power Draw: 150mA
- Recommended Fuse Rating: 1 AMP
- PFM Subsonic Filter (35,50,80 Hz)
- Point of Frequency (sweep) and Factor Q (wide) Controls



PASSIVE CROSSOVERS

PRO-CFX

2-WAY PASSIVE CROSSOVER

- High Freq And Low Freq
- Upper Cover: Steel
- Lower Cover: Transparent Plastic
- Freq Crossover: 3.5KHz @ 12 dB/Oct
- Tweeter Attenuation Selectable (-3,-6 dB)
- Size: 160 x 88 x 38 mm
6.3 x 3.5 x 1.5 in



AUDIO RECEIVER- BT 4.0 - RGB LED LIGHTING CONTROL

LED- BTCDRM



LED-BTCDRM Features:

- BT 4.0 (Faster Speed & Longer Range)
- iOS - Connect up to 7 Controllers
- Android - Connect up to 4 Controllers
- 5 Amps of Lighting Capacity
- Waterproof - IP65 Rated
- 12 Volt Applications
- Digital LED
- Adjustable Pixel # (0-1024)
- Works on chip "UCS512A" and "UCS512C"

LED- BTC



- BT 4.0 (Faster speed & longer range)
- iOS - Connect up to 7 controllers
- Android - Connect up to 4 controllers
- 5 amps of lighting capacity
- Waterproof IP65 rated
- 12 volt applications

BT-TWO

- Waterproof IP65 Rated
- Stereo Male RCA Output
- Suited For All Elements
- Applications: Automobile, Marine, Powersport & More
- BT 4.0 (Higher Sound Quality)
- Faster Speed, Longer Range)
- Remote Trigger Output
- Low Current Draw: 20mA
- In-line Fuse Protection
- RCA Low Level Output: 2.5V



FOR ALL ELEMENTS



Download the compatible app for DS18 LED-BTC, LED-BTCDRM or any other RF/BT/WiFi Controller for Multi-Function RGB LED Lighting (Sold Separately)

HIGH PERFORMANCE HIGH TO LOW CONVERTERS

V2HL

2 CHANNEL

- 2-CH Hi to low level converter
- Better characteristics on low frequency (<10 Hz)
- More efficient transforming ratio
- 4:1 Step down with variable output
- Auto remote to turn-on the amplifier
- Auto shutdown when input is less than 3V DC



V4HL

4 CHANNEL

- 4 Ch High Level Input
- 4 Ch RCA Hi-Volt Output
- Surface Mount Component Technology
- Direct Insert Power / Speaker Terminals
- Lowest Impedance and Best Power Filter
- FR4 Double Sides PCB
- Remote Trigger with Signal Sensing
- Power / Clipping LED Indicators
- Signal to Noise Ratio: >95dB
- Frequency Response: 20Hz - 20KHz
- High Level Input Rating: 50 Watts
- RCA Low Level Output: 2.5V
- Remote Trigger Output: 12V



V5HL

5 CHANNEL

- 4 Ch High Level Input
- 5 Ch RCA Hi-Volt Output
- Surface Mount Component Technology
- Direct Insert Power / Speaker Terminals
- Lowest Impedance and Best Power Filter
- FR4 Double Sides PCB
- Remote Trigger with Signal Sensing
- Power / Clipping LED Indicators
- Signal to Noise Ratio: >95dB
- Frequency Response: 20Hz - 20KHz
- High Level Input Rating: 50 Watts
- RCA Low Level Output: 2.5V
- Remote Trigger Output: 12V



V6HLPRO

6 CHANNEL

FACTORY RADIO INTEGRATOR

- 6 Input and Output Channels
- Speaker-Level Inputs - up to: 400W Max.
- Internal Channel Summing
- Signal-Sensing Inputs
- Level Matching Controls
- 12 Volt Trigger Output (remote Out)
- Input for Optional Subwoofer
- Level Control
- Tiffany RCA Jacks
- Remote Out

V6HLPRO



**HIGH PERFORMANCE 6 CHANNEL
PROFESSIONAL FACTORY RADIO INTEGRATOR**

HIGH PERFORMANCE AUDIO NOISE FILTERS

NF1

RCA NOISE FILTER

- Female RCA input
- Male RCA output
- Reduces unwanted noise
- Retains Sound Quality
- 20Hz-20KHz Audio Transformer Technology



NF2

HIGH PERFORMANCE AUDIO NOISE FILTER

- Pure High Quality Inductor Filter
- Metal Housing
- Pure copper Wire for Output RCA Output
- Valid Value of avoid Noise: 1 0-80dB
- Frequency Response: 20Hz-30KHz
- Sensitivity: 0.1V-8V
- Input: RCA Jack
- Dimensions: 53.3L x 57W x 24.1H (mm)



3AVS

3 AMP VOLT STABILIZER

- Input Voltage Range 6-16V
- Output Voltage 14.4V (Constant)
- Output Current: 3 AMP
- Voltage Stabilized Accuracy <0.5%
- Ripple Factor <0.1%
- Transfer Efficiency >85%



FAN8

COOLING FAN

- 8" Cross Flow Cooling Fan
- Compatible with all 12-Volts Systems
- Comes Equipped with mounting tabs for simple installation
- Low Profile Crosflow design provides generous air flow
- Dimensions: 1-3/4" D x 8"W x 1 -3/4" H



VOLTMETERS

VMSE

HIGH VOLTMETER WITH SEQUENCER CONTROLLER

- Voltmeter
- Sequencer Remote Control
- Low Voltage Rate: Max 17V
- High Voltage Rate: Max 500V
- Current at Output: 150 mA
- Low Voltage Protection: <9.5
- High Voltage Protection: >17V
- Dimensions: 10L x 57W x 17H (mm)



BKVR

REMOTE LEVEL CONTROL WITH VOLTMETER DISPLAY

- RCA Line Level Control with Volt-Meter and remote Amp Trigger
- Can Adjust the Amplifier Gain and Turn On / Off the Amp
- In-Dash or Under-Dash Mountable
- Rotary Push Turn ON/OFF Knob for Amplifier
- Remote Digital Volt-Meter (10V ~ 15.9V)
- Blue LED Display (High Voltage / Low Voltage)
- Dimensions: 82 x 75 x 27 mm
- 82 x 75 x 27 mm
- Compatible with most Head Units and Amplifiers Combinations
- Working Voltage: 10V ~ 15.9V
- Max Output Sensitivity: 0.1 -16V
- Frequency Response: 10 Hz - 30 KHz
- Dimensions: 82 x 75 x 27 mm



DS18 BADGES

LBC6VAM

DS18 BADGE WITH RGB LIGHTS AND VOLT/CURRENT METER

- Waterproof Volt & Current Meter
- Chrome Plated with RGB LED Logo
- DC 12V RGB Input
- 0-30 V Range
- 0-999 A Range
- 0.75MV 1000A Current Divert
- Diameter: 89.9mm/3.54in



LBC8

DS18 BADGE WITH RGB LIGHTS

- Customize your build and make it stand out with the DS18 LED RGB light up logo. With a chrome plated waterproof frame, this logo can stand up to all the elements. Compatible with DS18 LED-BTC or any other RF / BT/WiFi Controller for Multi-Function RGB LED Lighting (Sold Separately)



CAR VOLTMETER WITH DUAL QUICK CHARGER FOR USB PORTS

VMU.2R

RED AND WHITE ENCLOSURE

VMU.2B

BLACK AND WHITE ENCLOSURE

- Input: DC 12 - 24V
- Output: 3.65 - 6.5V DC 3A
- 6.65 - 9V DC 2A
- 9 - 12V DC 1.5A
- USB Port: 2 (QC 3.0 + QCv 3.0)
- Material: PC + ABS
- LED Display for Real Time Car Battery Voltage Reading
- Buzzer Alarm for Over/Under Voltage of 12V Battery Operation
- Quick Charging Technology - QC3.0
- Multiple Safety Protection for: Short Circuit, Overload and Thermal
- Size: 111 x 48 x 29mm
- 4.37 x 1.89 x 1.14"
- Weight: 45.5g



SILK DOME TWEETER WITH NEODYMIUM MAGNET - PAIR



SQTW

1.1" VC

- AES Rated Power: 40 Watts
- Peak Power: 120 Watts
- Frequency Response: 2K-20KHz
- Sensitivity: 88dB
- Impedance: 4 ohm
- Diaphragm Material: Silk Dome
- Magnet Material: Neodymium N35
- Former Material: ASV
- Basket Material: Plastic
- Built In Attenuation Switch (+3 / 0 -3)dB

TWC

1" VC

- AES Rated Power: 20 Watts
- Peak Power: 60 Watts
- Frequency Response: 1K-25KHz
- Sensitivity: 90dB/w/m
- Impedance: 4 ohm
- Diaphragm Material: Silk
- Magnet Material: Neodymium

SILK DOME TWEETER WITH FERRITE MAGNET - PAIR

TW2.5

1" VC

- AES Rated Power: 50 Watts
- Peak Power: 100 Watts
- Frequency Response: 1.8K- 20KHz
- Sensitivity: 93.5dB/W/M
- Impedance: 4 ohm
- Diaphragm Material: Silk
- Magnet Material: Ferrite
- Mounting Depth: 0.75"
- Mounting Diameter: 2.07"

PEI DOME TWEETER WITH FERRITE MAGNET - PAIR

0.5" VC

TX1S

SILVER

- AES Rated Power: 50 Watts
- Peak Power: 200 Watts
- Frequency Response: 2K-20KHz
- Sensitivity: 88dB/W/M
- Impedance: 4 ohm
- Diaphragm Material: Pei
- Magnet Material: Ferrite

TX1R

RED

DOME TWEETER WITH PIEZO MAGNET - PAIR

TWPZ

PIEZO ELECTRIC

- AES Rated Power: 40 Watts
- Peak Power: 80 Watts
- Frequency Response 3.5K-20KHz
- Sensitivity: 101dB
- Diaphragm Type: Piezo Electric

SUPER BULLET TWEETER WITH NEO MAGNET - PAIR



GTX1

1" TITANIUM VC

- AES Rated Power: 60 Watts
- Program Power: 120 Watts
- Peak Power: 240 Watts
- Frequency Response: 3K-20KHz
- Sensitivity: 98 dB
- Impedance: 4 ohm
- Magnet: Neodymium 7 oz

GTX1XL

1.3" TITANIUM VC

- AES Rated Power: 80 Watts
- Program Power: 160 Watts
- Peak Power: 320 Watts
- Frequency Response: 2.5K-20KHz
- Sensitivity: 100 dB
- Impedance: 4 ohm
- Magnet: Neodymium 7 oz



SUPER BULLET TWEETER WITH NEODYMIUM MAGNET - SINGLE



PRO

PRO-TW920

1.4" TITANIUM VC

- AES Rated Power: 80 Watts
- Program Power: 160 Watts
- Peak Power: 320 Watts
- Frequency Response: 2KHz- 20KHz
- Sensitivity: 106dB/W/M
- Impedance Input: 4 ohm
- Diaphragm Material: Titanium
- Frame Material: Aluminum
- Magnet Material: Neodymium

PRO-TW820

1" ALUMINUM VC

- AES Rated Power: 60 Watts
- Program Power: 120 Watts
- Peak Power: 240 Watts
- Frequency Response: 900Hz- 18.5KHz
- Sensitivity: 102.5dB/W/M
- Impedance Input: 4 ohm
- Diaphragm Material: Aluminum
- Body Material: Aluminum
- Magnet Material: Neodymium

PRO-TW710

1" TITANIUM VC

- AES Rated Power: 60 Watts
- Program Power: 120 Watts
- Peak Power: 240 Watts
- Frequency Response: 830Hz- 18.2KHz
- Sensitivity: 101.3dB/W/M
- Impedance Input: 4 ohm
- Diaphragm Material: Titanium
- Body Material: Aluminum
- Magnet Material: Neodymium



SUPER BULLET TWEETER WITH FERRITE MAGNET - SINGLE

PRO-TW510

1.5" ALUMINUM VC

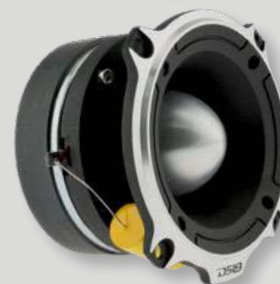
- AES Rated Power: 120 Watts
- Program Power: 240 Watts
- Peak Power: 480 Watts
- Frequency Response: 2.5KHz- 16KHz
- Sensitivity: 109.5dB/W/M
- Impedance Input: 4 ohm
- Diaphragm Material: Aluminum
- Body Material: Aluminum
- Magnet Material: Ferrite



PRO-TW420

1.75" TITANIUM VC

- AES Rated Power: 140 Watts
- Program Power: 280 Watts
- Peak Power: 560 Watts
- Frequency Response: 1.5KHz- 20KHz
- Sensitivity: 109dB/W/M
- Impedance Input: 4 ohm
- Diaphragm Material: Titanium
- Body Material: Aluminum
- Magnet Material: Ferrite



PRO-TW320

1.5" ALUMINUM VC

- AES Rated Power: 120 Watts
- Program Power: 240 Watts
- Peak Power: 480 Watts
- Frequency Response: 1.6KHz- 20KHz
- Sensitivity: 107dB/W/M
- Impedance Input: 4 ohm
- Diaphragm Material: Aluminum
- Body Material: Aluminum
- Magnet Material: Ferrite



SUPER BULLET TWEETER WITH FERRITE MAGNET - PAIR

PRO-TW220

1" ALUMINUM VC

- AES Rated Power: 60 Watts
- Program Power: 120 Watts
- Peak Power: 240 Watts
- Frequency Response: 2KHz- 20KHz
- Sensitivity: 106dB/W/M
- Impedance Input: 4 ohm
- Diaphragm Material: Aluminum
- Body Material: Aluminum
- Magnet Material: Ferrite

PRO-TW120

1" ALUMINUM VC

- AES Rated Power: 60 Watts
- Program Power: 120 Watts
- Peak Power: 240 Watts
- Frequency Response: 2KHz- 20KHz
- Sensitivity: 103dB/W/M
- Impedance Input: 4 ohm
- Diaphragm Material: Aluminum
- Body Material: Aluminum
- Magnet Material: Ferrite

PRO-TW120B

1" ALUMINUM VC

- AES Rated Power: 60 Watts
- Program Power: 120 Watts
- Peak Power: 240 Watts
- Frequency Response: 2KHz- 20KHz
- Sensitivity: 103dB/W/M
- Impedance Input: 4 ohm
- Diaphragm Material: Aluminum
- Body Material: Black Aluminum
- Magnet Material: Ferrite

RING ADAPTER FOR TWEETERS - PAIR

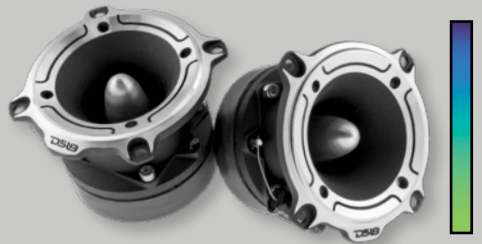
PRO-TWR3

- Material: ABS Black Plastic
- Adapter for tweeter TW820, and TW2.5 Jeep (2015-2019)
- Chrysler and Dodge (2016-2019)

PRO-TWRING

- Material: ABS Black Plastic
- Adapter ring for tweeter PRO-TW120 and PRO-TW120B
- For less deep mounting
- Available in: Black, Red, Raw and Silver

PRO



TWEETER SOLD SEPARATELY





SUPER BULLET TWEETER WITH NEODYMIUM MAGNET - SINGLE

PRO-TWN5

1.5" PEN VC

- AES Rated Power: 100 Watts
- Program Power: 200 Watts
- Peak Power: 400 Watts
- Frequency Response: 1.5KHz- 20KHz
- Sensitivity: 107dB/W/M
- Impedance Input: 4 ohm
- Diaphragm Material: PEN
- Body Material: Aluminum
- Magnet Material: Neodymium

PRO-TWN4

1" PEN VC

- AES Rated Power: 70 Watts
- Program Power: 140 Watts
- Peak Power: 280 Watts
- Frequency Response: 1.5KHz- 20KHz
- Sensitivity: 105dB/W/M
- Impedance Input: 4 ohm
- Diaphragm Material: PEN
- Body Material: Aluminum
- Magnet Material: Neodymium

PRO-TWN2

1" VC

- AES Rated Power: 60 Watts
- Program Power: 120 Watts
- Peak Power: 240 Watts
- Frequency Response: 1K-20KHz
- Sensitivity: 107 dB/w/m
- Impedance: 4 ohm
- Diaphragm Material: Composite Polyimide
- Body Material: Aluminum
- Magnet Material: Neodymium

PRO-TWN1

1.5" TITANIUM VC

- AES Rated Power: 60 Watts
- Program Power: 120 Watts
- Peak Power: 240 Watts
- Frequency Response: 3K-20KHz
- Sensitivity: 104 dB/w/m
- Impedance: 4 ohm
- Diaphragm Material: Titanium
- Body Material: Aluminum
- Magnet Material: Neodymium

PRO-NEO



1.2K 2.4K 5K 10K 20K 30K

HIGH FREQUENCY

TWEETERS



RGB PLAY IT WITH COLORS!



BT Control Module APP (LED-BTC)
For RGB LED Multi-Function Lighting (Sold Separately)



RGB SUPER BULLET TWEETERS - NEODYMIUM - SINGLE

PRO-TW7L

1" TITANIUM VC

- AES Rated Power: 60 Watts
- Program Power: 120 Watts
- Peak Power: 240 Watts
- Frequency Response 4K-20KHz
- Sensitivity 102dB
- Nominal Impedance: 4 ohms
- Diaphragm Material: Titanium
- Capacitor Crossover Included
- Magnet Material: Neodymium
- Zinc Plated Top and Back Plate
- Transparent Polycarbonate Body
- Built in RGB LED
- 1 Meter RGB LED Input Wire

RGB SUPER BULLET TWEETERS - SINGLE

PRO-TW5L

1.5" ALUMINUM VC

- AES Rated Power: 120 Watts
- Program Power: 240 Watts
- Peak Power: 480 Watts
- Frequency Response 3K-20KHz
- Sensitivity 107dB
- Nominal Impedance: 4 ohms
- Diaphragm Material: Aluminum
- Capacitor Crossover Included
- Magnet Size 14 oz
- Magnet Material: Ferrite
- Zinc Plated Top and Back Plate
- Transparent Polycarbonate Body
- Built in RGB LED
- 1 Meter RGB LED Input Wire

PRO-TW4L

1.75" TITANIUM VC

- AES Rated Power: 140 Watts
- Program Power: 280Watts
- Peak Power: 560 Watts
- Frequency Response: 1.5K-20KHz
- Sensitivity: 108dB
- Nominal Impedance: 4 ohms
- Diaphragm Material: Titanium
- Capacitor Crossover Included
- Magnet Size 16 oz
- Magnet Material: Ferrite
- Zinc Plated Top and Back Plate
- Transparent Polycarbonate Body
- Built in RGB LED
- 1 Meter RGB LED Input Wire

PRO-TW3L

1.5" ALUMINUM VC

- AES Rated Power: 120 Watts
- Program Power: 240 Watts
- Peak Power: 480 Watts
- Frequency Response: 1.6K-20KHz
- Sensitivity: 107dB
- Nominal Impedance: 4 ohms
- Diaphragm Material: Aluminum
- Capacitor Crossover Included
- Magnet Material: Ferrite
- Magnet Size 14 oz
- Zinc Plated Top and Back Plate
- Transparent Polycarbonate Body
- Built in RGB LED
- 1 Meter RGB LED Input Wire

PRO-TWL



RGB SUPER BULLET TWEETERS - PAIR



BT Control Module APP (LED-BTC)
for RGB LED Multi-Function Lighting (Sold Separately)

TRANSPARENT POLYCARBONATE BODY - CAPACITOR CROSSOVER INCLUDED
TOP AND BACK ZINC PLATE - BUILT IN RGB LED - 1 METER RGB LED INPUT WIRE

PRO-TW2L

1" ALUMINUM VC

- AES Rated Power: 60 Watts
- Program Power: 120 Watts
- Peak Power: 240 Watts
- Frequency Response 2K-20KHz
- Sensitivity 106 dB
- Nominal Impedance: 4 ohms
- Diaphragm Material: Aluminum
- Magnet Size 8 oz
- Magnet Material: Ferrite

PRO-TW1L

1" ALUMINUM VC

- AES Rated Power: 60 Watts
- Program Power: 120 Watts
- Peak Power: 240 Watts
- Frequency Response 2K-20KHz
- Sensitivity 103 dB
- Nominal Impedance: 4 ohms
- Diaphragm Material: Aluminum
- Magnet Size 8 oz
- Magnet Material: Ferrite

PRO



PRO-TW1L

TITANIUM DRIVERS WITH RGB HORN - 4 OHMS - SINGLE



TS18 BT Control Module APP (LED-BTC)
For RGB LED Multi-Function Lighting (Sold Separately)

PRO-DKHCL 1.75" VC

- AES Rated Power: 140 Watts
- Program Power: 280 Watts
- Peak Power: 560 Watts
- Frequency Response: 1-20KHz
- Sensitivity: 101dB
- Impedance: 4 ohm
- Diaphragm Material: Titanium
- Throat Diameter: 1"
- Horn Material: Clear Polycarbonate
- Horn Dimensions: 176 x 176 x 150mm
- Includes 18dB Crossover with Polyswitch
- Magnet: Ferrite 21 oz

TITANIUM DRIVERS WITH HORN - 8 OHMS - SINGLE

PRO-DKH4 4" VC

- AES Rated Power: 250 Watts
- Program Power: 500 Watts
- Peak Power: 1000 Watts
- Frequency Response: 620-18.9KHz
- Sensitivity: 104.2dB
- Impedance: 8 ohm
- Diaphragm Material: Titanium
- Throat Diameter: 3"
- Horn Material: Aluminum
- Dimensions: 243 x 243 x 176mm
- Depth: 328.5mm / 12.75"
- Magnet: Ferrite 98oz

PRO-DKH2 3" VC

- AES Rated Power: 200 Watts
- Program Power: 400 Watts
- Peak Power: 800 Watts
- Frequency Response: 900-17.2KHz
- Sensitivity: 110dB
- Impedance: 8 ohm
- Diaphragm Material: Titanium
- Throat Diameter: 2"
- Horn Material: Aluminum
- Dimensions: 188 x 188 x 168mm
- Depth: 247mm / 9.7"
- Magnet: Ferrite 65 oz

PRO-DKH1 2" VC

- AES Rated Power: 160 Watts
- Program Power: 320 Watts
- Peak Power: 640 Watts
- Frequency Response: 800-18.5KHz
- Sensitivity: 108dB
- Impedance: 8 ohm
- Diaphragm Material: Titanium
- Throat Diameter: 2"
- Horn Material: Aluminum
- Horn Dimensions: 157 x 157 x 132mm
- Depth: 123 mm / 4.84"
- Magnet: Ferrite 35 oz

NEODYMIUM DRIVER WITH HORN - 8 OHMS - SINGLE



PRO-DKN25 1" VC

- AES Rated Power: 60 Watts
- Program Power: 120 Watts
- Peak Power: 240 Watts
- Frequency Response: 1.5-18KHz
- Sensitivity: 108dB
- Impedance: 8 ohm
- Diaphragm Material: Phenolic
- Throat Diameter: 1"
- Horn Material: Plastic
- Horn Dimensions: 70 x 120 x 79.5mm
- Depth: 2.4" / 63mm
- Magnet: Neodymium

PRO





FERRITE DRIVER - 8 OHMS - BOLT-ON

PRO-D3

PHENOLIC 4" VC

- AES Rated Power: 250 Watts
- Program Power: 500 Watts
- Peak Power: 1000 Watts
- Impedance: 8 ohm
- Sensitivity: 104.5 dB
- Diaphragm Material: Phenolic
- Frequency Response: 700Hz - 16.5KHz
- Throat Diameter: 2"
- Magnet Size: 98 oz
- Magnet Material: Ferrite

PRO-D1

TITANIUM 2" VC

- AES Rated Power: 160 Watts
- Program Power: 320 Watts
- Peak Power: 640 Watts
- Impedance: 8 ohm
- Sensitivity: 108dB
- Frequency Response: 800 - 18.5KHz
- Mylar Capacitor Crossover Included
- Throat Diameter: 2"
- Magnet Size: 35 oz
- Magnet Material: Ferrite

PRO-D1F

PHENOLIC 2" VC

- AES Rated Power: 160 Watts
- Program Power: 320 Watts
- Peak Power: 640 Watts
- Impedance: 8 ohm
- Sensitivity: 108dB
- Frequency Response: 800 - 18.5KHz
- Throat Diameter: 2"
- Magnet Size: 35 oz
- Magnet Material: Ferrite

PRO-D2

TITANIUM 2" VC

- AES Rated Power: 200 Watts
- Program Power: 400 Watts
- Peak Power: 800 Watts
- Impedance 8 ohm
- Sensitivity 110dB
- Frequency Response 980 - 20KHz
- Throat Diameter: 1"
- Magnet Size 38 oz
- Magnet Material: Ferrite

PRO-DR1.75

TITANIUM 1.75" VC

- AES Rated Power: 140 Watts
- Program Power: 280 Watts
- Peak Power: 560 Watts
- Impedance: 8 ohm
- Sensitivity: 107dB
- Frequency Response: 500 - 20KHz
- Throat Diameter: 1
- Magnet Size: 24 oz
- Magnet Material: Ferrite

PRO-DR1.35

TITANIUM 1.35" VC

- AES Rated Power: 80 Watts
- Program Power: 160 Watts
- Peak Power: 320 Watts
- Impedance: 8 ohm
- Sensitivity: 103dB
- Frequency Response: 500 - 20KHz
- Throat Diameter: 1"
- Magnet Size 16 oz
- Magnet Material: Ferrite

PRO



PRO-DRNSC

POLYIMIDE 2" VC

- AES Rated Power: 60 Watts
- Program Power: 120 Watts
- Peak Power: 240 Watts
- Impedance: 4 ohm
- Sensitivity: 110dB
- Diaphragm Material: Composite Polyimide
- Frequency Response: 1.5KHz - 18KHz
- Throat Diameter: 1"
- Magnet Size: TBA
- Magnet Material: Neodymium

PRO-DR250TI

TITANIUM 2" VC

- AES Rated Power: 140 Watts
- Program Power: 280 Watts
- Peak Power: 560 Watts
- Impedance: 8 ohm
- Sensitivity: 96 dB
- Diaphragm Material: Titanium
- Frequency Response: 600Hz-13KHz
- Throat Diameter: 1"
- Magnet Size: 10.5 oz
- Magnet Material: Ferrite

PRO-DR250

PHENOLIC 2" VC

- AES Rated Power: 140 Watts
- Program Power: 280 Watts
- Peak Power: 560 Watts
- Impedance: 8 ohm
- Sensitivity: 94 dB
- Diaphragm Material: Phenolic
- Frequency Response: 650Hz-13KHz
- Throat Diameter: 1"
- Magnet Size: 10.5 oz
- Magnet Material: Ferrite

PRO-DR200

ALUMINUM 2" VC

- AES Rated Power: 75 Watts
- Program Power: 150 Watts
- Peak Power: 300 Watts
- Impedance: 8 ohm
- Sensitivity: 103 dB
- Diaphragm Material: Aluminum
- Frequency Response: 1KHz-20KHz
- Throat Diameter: 1"Voice Coil: 2.03"
- Magnet Size: 36 oz
- Magnet Material: Ferrite

PRO-DR150

PHENOLIC 1.5" VC

- AES Rated Power: 80 Watts
- Program Power: 160 Watts
- Peak Power: 320 Watts
- Impedance: 8 ohm
- Sensitivity: 105dB
- Diaphragm Material: Phenolic
- Frequency Response: 1 - 20KHz
- Throat Diameter: 1"
- Magnet Size: 20 oz
- Magnet Material: Ferrite

PRO-DR100

PHENOLIC 1" VC

- AES Rated Power: 50 Watts
- Program Power: 100 Watts
- Peak Power: 200 Watts
- Impedance: 8 ohm
- Sensitivity: 98dB
- Diaphragm Material: Phenolic
- Frequency Response: 1 - 18KHz
- Throat Diameter: 1"
- Magnet Size: 10 oz
- Magnet Material: Phenolic



WAVE GUIDE - ABS - BOLT ON

PRO-WGH1BK

1"

- Body Material: ABS Plastic
- Coverage: 45 x 10°
- Throat Diameter: 1"
- Overall Depth: 4.33"

PRO HORNS - ALUMINUM - BOLT ON

PRO-HA50

2"

PRO-HA50RD

RED

- Coverage: 100°
- Throat Diameter: 2"
- Profile: Circular
- Depth: 2.6"

PRO-HA100

2"

- Coverage: 100°
- Throat Diameter: 2"
- Depth: 4.84"
- Available Colors: Black, Red, Silver, Clear, Blue, Gold and Green

PRO-HA200A

2"

PRO-HA200ARD

RED

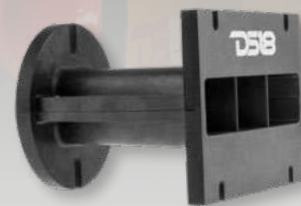
- Coverage: 90°
- Throat Diameter: 2"
- Mounting Depth: 11"
- Low Frequency limit: 2K

PRO-HA300A

2"

- Coverage: 100°
- Throat Diameter: 2"
- Depth: 4.84"
- Material: Aluminum
- Profile: Circular
- Installation Method: Bolt-on

PRO





PRO HORNS - ABS - BOLT ON

PRO-HPR

2"

PRO-HPR	RAW
PRO-HPRBK	BLACK
PRO-HPRDG	GOLD
PRO-HPRSL	SILVER
PRO-HPRRD	RED

- Installation Method: Bolt-on
- Material: ABS/PC
- Color: Raw, Black, Gold, Silver or Red
- Profile: Circular
- Coverage: 90°
- Throat Diameter: 2"
- Depth: 5.29"
- Low Frequency Limit: 1K

PRO HORNS -ABS - SCREW ON

- Material: PC/ABS
- Installation Method: Screw-on
- Available Colors: Black, Red, Silver, Clear, Blue, Gold and Green

PRO-HA44

1"

- Profile: Square
- Coverage: 45°x45°
- Throat Diameter: 1"
- Depth: 2.68"

PRO-H110

1"

- Profile: Circular
- Coverage: 110°
- Throat Diameter: 1"
- Depth: 6.14"

LOUDSPEAKER DIFFUSERS

- Injection ABS
- 6 mm Thickness
- 4-M4 Nut-Inserts
- Hardware Included

PRO-SDF6

6.5"

- 6.5" Speaker Diffuser Fits Most 6.5" Speakers
- Speaker Bolt: 161 mm

PRO-SDF8

8"

- 8" Speaker Diffuser Fits most 8" Speakers
- Speaker Bolt 198 mm

PRO-SDF10

10"

- 10" Speaker Diffuser Fits most 10" Speakers
- Speaker Bolt 248 mm





RGB HORNS - CLEAR ABS - BOLT ON

PRO-HA50CL

2"

- Throat Diameter: 2"
- Fits Most 2" Throat Diameter Drivers
- Material: Transparent ABS/PC Injection with Sand Texture
- Mounting Depth: 67mm / 2.64"
- Profile: Circular
- Installation Method: Bolt on
- Coverage: 100°
- Low Frequency Limit: 0.8K
- RGB Lighting Built-in
- RGB Wires: 1m Input
- Overall Diameter: 156x156 mm / 6.14x6.14"
- Overall Depth: 73.5mm / 2.89"
- Mounting Hole Cutoff: 140mm / 5.5"
- Net Weight: 200g / 0.44lb

PRO-HA100CL

2"

- Throat Diameter: 2"
- Fits Most 2" Throat Diameter Drivers
- Material: Transparent ABS/PC Injection with Sand Texture
- Mounting Depth: 135 mm / 5.31"
- Profile: Circular
- Installation Method: Bolt on
- Coverage: 100°
- Low Frequency Limit: 1K
- RGB Lighting Built-in
- RGB Wires: 1m Input
- Overall Diameter: 176 mm / 6.93"
- Overall Depth: 143 mm / 5.63"
- Mounting Hole Cutoff: 145 mm / 5.71"
- Net Weight: 320g / 0.71lb

PRO-HPRCL

2"

- Throat Diameter: 2"
- Fits Most 2" Throat Diameter Drivers
- Material: Transparent ABS/PC Injection with Sand Texture
- Mounting Depth: 134.4mm / 5.29"
- Profile: Circular
- Installation Method: Bolt on
- Coverage: 90°
- Low Frequency Limit: 1K
- RGB Lighting Built-in
- RGB Wires: 1m Input
- Overall Diameter: 136mm / 5.35"
- Overall Depth: 134.4mm / 5.29"
- Mounting Hole Cutoff: 145 mm / 5.71"
- Net Weight: 205g / 0.45lb

RGB HORNS - CLEAR ABS - SCREW ON

PRO-HA44CL

1"

- Throat Diameter: M1-3/8"
- Fits Most 1" Throat Diameter Drivers
- Material: Transparent ABS/PC Injection with Sand Texture
- Mounting Depth: 69mm / 2.72"
- Profile: Square
- Installation Method: Screw on
- Coverage: 45x45°
- Low Frequency Limit: 1K
- RGB Lighting Built-in
- RGB Wires: 1m Input
- Overall Diameter: 115x115mm / 4.53x4.53"
- Overall Depth: 77mm / 3.03"
- Mounting Hole Cutoff: 83.3x83.3mm / 3.28x 3.28"
- Net Weight: 85g / 0.19lb

PRO-H110CL

1"

- Throat Diameter: M1-3/8"
- Fits Most 1" Throat Diameter Drivers
- Material: Transparent ABS/PC Injection with Sand Texture
- Mounting Depth: 158 mm / 6.22"
- Profile: Circular
- Installation Method: Screw on
- Coverage: 110°
- Low Frequency Limit: 2K
- RGB Lighting Built-in
- RGB Wires: 1m Input
- Overall Diameter: 155 x 155 mm / 6.1 x 6.1"
- Overall Depth: 165mm / 6.5"
- Mounting Hole Cutoff: 137.2mm / 5.4"
- Net Weight: 150g / 0.33lb

PRO



Download the compatible app for DS18 LED-BTC, LED-BTCDRM or any other RF/BT/WiFi Controller for Multi-Function RGB LED Lighting (Sold Separately)

DREAM RGB LOUDSPEAKER DIFFUSERS



PRO-SDF6RGB	6.5"
-------------	------

PRO-SDF8RGB	8"
-------------	----

PRO-SDF10RGB	10"
--------------	-----

- Speaker Diffuser
- Injection Transparent ABS Sand texture
- 6mm Thickness
- Dream RGB Lighting Built-in
- Control IC Model: SM16703P
- 1m Input wires
- Red Wire: DC12+ (Positive)
- Black Wire: DC12-(Negative)
- White Wire: IC Date Input
- 4-M4 Nut-Inserts
- 6.5" Speaker Bolt: Φ 6.34"/161mm
- 8" Speaker Bolt: Φ 7.79"/198mm
- 10" Speaker Bolt: Φ 9.79"/248mm
- Hardware Included

RGB MIDS AND SUBS GRILLS

PRO-GRILL6LGO	6.5"
---------------	------

PRO-GRILL8LGO	8"
---------------	----

PRO-GRILL10LGO	10"
----------------	-----

- High Temperature Transparent ABS Speaker Grill
- UV Coating Scratch Resistant
- Three RGB Light Ring Built in Front
- 1m Length Wire input

RGB MIDS AND SUBS GRILLS

PRO-GRILL6RGB	6.5"
---------------	------

PRO-GRILL8RGB	8"
---------------	----

PRO-GRILL10RGB	10"
----------------	-----

- High Temperature Transparent ABS Speaker Grill
- UV Coating Scratch Resistant
- DS18 Logo with Silver Hot Stamping
- Three RGB Light Ring Built in Front & Back with 1m Length Wire input

SPEAKER AND SUBS RGB RINGS

TRANSPARENT POLYCARBONATE BODY - CAPACITOR CROSSOVER INCLUDED
TOP AND BACK ZINC PLATE - BUILT IN RGB LED - 1 METER RGB LED INPUT WIRE

LRING6	6.5"
--------	------

LRING69	6X9"
---------	------

LRING8	8"
--------	----

LRING10	10"
---------	-----

LRING12	12"
---------	-----

LRING15	15"
---------	-----

PRO



SPEAKER SOLD SEPARATELY



Download the compatible app for DS18 LED-BTC, LED-BTCDRM or any other RF/BT/WiFi Controller for Multi-Function RGB LED Lighting (Sold Separately)

MIDS AND SUBS GRILLS

PRO-GRILL6 6.5"

PRO-GRILL8 8"

PRO-GRILL10 10"

- Material: PC/ABS
- Installation Method: Screw
- Available in: Black, Blue, Green, Yellow, Red, Silver & White



MID GRILLS WITH TWEETER BUILT IN



PRO-GTW6RD 6.5"

PRO-GTW8RD 8"

PRO-GTW10RD 10"

PRO-GTW6BK 6.5"

PRO-GTW8BK 8"

PRO-GTW10BK 10"

- Available in Red or Black
- Material: High temperature ABS Gloss with UV Coating
- Diaphragm Material: Titanium
- Voice Coil : 1.75" with Ferrofluid
- Magnet Material : Neodymium N40H
- Bullet Material: Solid Aluminum
- Mylar Capacitor: 6dB
- Frequency Response: 1.6KHz-20KHz
- Impedance: 4 OHM
- Sensitivity: 98dB 1w /1m
- RMS Power Handling: 250W
- Max Power Handling: 500W
- Tweeter Wire Length: 0.6m
- RGB Light Built-in with 1m length wire input

LED LIGHTS WORK WITH ANDROID AND IPHONE



SPEAKERS SOLD SEPARATELY



WE LIKE IT LOUD!



NXL-DTR x2

ELITE-Z12 x4

PRO-TW4L x2

CANDY-XX1LB x1

CANDY-4XB x1

PRO-FR1500.1 x2

XM6LD x1

PRO-NEO6R x6

PRO-TW120B x4

PRO-GRILL x16

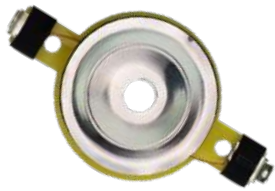
PRO-LRING x16



TWEETER DIAPHRAGMS



PRO-TW820VC
Universal 1" Voice Coil



PRO-TW120VC
Universal 1" Voice Coil



PRO-TW510VC
Universal 1.5" Voice Coil



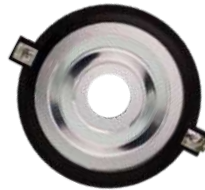
PRO-TW220VC
Universal 1.5" Voice Coil



PRO-TW710VC
Universal 1" Voice Coil



PRO-TW420VC
Universal 1.5" Voice Coil

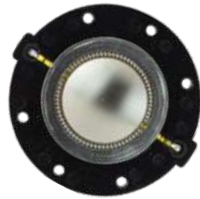


PRO-TW320VC
Universal 1.5" Voice Coil

DRIVER DIAPHRAGMS



PRO-DRNE0VC
Universal 3" Voice Coil



PRO-DKHVLC
Universal 1.75" Voice Coil



PRO-DRN3VC
Universal 3" Voice Coil



PRO-DRN1VC
Universal 1.75" Voice Coil



PRO-D4VC
Universal 4" Voice Coil



PRO-D3VC
Universal 4" Voice Coil
Phenolic



PRO-D2VC
Universal 3" Voice Coil



PRO-D1VC
Universal 2" Voice Coil



PRO-D1FVC
Universal 2" Voice Coil Phenolic



PRO-DR550VC
Universal 2" Voice Coil



PRO-DR450VC
Universal 1.75" Voice Coil



PRO-DR350VC
Universal 1.35" Voice Coil



PRO-DR250VC
Universal 2" Voice Coil
Phenolic



PRO-DR150VC
Universal 1.5" Voice Coil
Phenolic



PRO-DR100VC
Universal 1" Voice Coil
Phenolic



PRO-DKN25VC
Universal 1" Voice Coil
Phenolic

FUSE HOLDERS

FHRANL250A

ANL FUSE HOLDER WITH 250A FUSE

- Clear protective cover
- Heat resistant base and cover
- Durable finish and conductivity
- Nickel Plated
- 250 Amp ANL Fuse Included
- 0/4 GA Round
- Easy installation for multi use combinations
- Solid construction designed and engineered in USA



FHRANL

ROUND ANL FUSE HOLDER

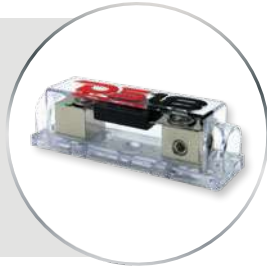
- Clear protective cover
- Heat resistant base and cover
- Durable finish and conductivity
- Nickel Plated
- 0/4 GA Round
- Easy installation for multi use combinations
- Solid construction designed and engineered in USA



FHSANL200A

ANL FUSE HOLDER WITH 200A FUSE

- Clear protective cover
- Heat resistant base and cover
- Durable finish and conductivity
- Nickel Plated
- 200 Amp ANL Fuse Included
- 0/4 GA Square
- Easy installation for multi use combinations
- Solid construction designed and engineered in USA



FHSANL

SQUARE ANL FUSE HOLDER

- Clear protective cover
- Heat resistant base and cover
- Durable finish and conductivity
- Nickel Plated
- 0/4 GA Square
- Easy installation for multi use combinations
- Solid construction designed and engineered in USA



FHAFSDIG-120A

AFS MINI ANL FUSE HOLDER WITH VOLTMETER AND 120A FUSE

- Smoke color protective cover
- Heat resistant base and cover
- Durable finish and conductivity
- Nickel Plated
- 120 Amp Mini ANL Fuse included
- Volt Meter LED Display
- 2/4 GA IN 2/4 GA OUT
- Easy installation for multi use combinations
- Solid construction designed and engineered in USA



FHSAGU

AGU FUSE HOLDER

- Clear protective cover
- Durable finish and conductivity
- Dimensions: 3 x 1.5 x 1.2"
- Easy installation for multi-use combination
- Solid construction designed and engineered in USA



FHAFS-150A

AFS MINI ANL FUSE HOLDER WITH 150A FUSE

- Smoke color protective cover
- Heat resistant base and cover
- Durable finish and conductivity
- Nickel Plated
- 150 Amp Mini ANL Fuse included
- 4/8 GA IN 4/8 GA OUT
- Easy installation for multi use combinations
- Solid construction designed and engineered in USA



FHSAGU80A

AGU FUSE HOLDER WITH 80A FUSE

- Clear protective cover
- Durable finish and conductivity
- Dimensions: 3 x 1.5 x 1.2"
- Easy installation for multi-use combination
- Solid construction designed and engineered in USA



FHSANL1014DIGA

ANL FUSE HOLDER With BUILT IN VOLTMETER

- Smoke color protective cover
- Heat resistant base and cover
- Durable finish and conductivity
- Nickel Plated
- Volt Meter LED Display
- 0/4 GA IN 1/4 GA OUT
- Easy installation for multi-use combinations
- Dimensions: 4 x 1.8 x 3"
- Solid construction designed and engineered in USA



FDG1024ANLDIG

ANL FUSE HOLDER & DISTRIBUTION BLOCK WITH BUILT IN VOLTMETER

- Smoke color protective cover
- Heat resistant base and cover
- Durable finish and conductivity
- Nickel Plated
- Volt Meter LED Display
- 0/4 GA IN 2x4/8 GA OUT
- Dimensions: 4 x 1.8 x 4.5"



FDG1224AFS-80A

AFS MINI ANL FUSE HOLDER & DISTRIBUTION BLOCK WITH VOLTMETER

- Smoke color protective cover
- Heat resistant base and cover
- Durable finish and conductivity
- Nickel Plated
- Volt Meter LED Display
- 1x2/4 GA IN 2x4 GA OUT
- Fuse included: 80 AMP MINI ANL
- Dimensions: 2.2 x 1.5 x 2.8"



FHDB3ANL-150A

ANL DISTRIBUTION BLOCK

- Smoke color protective cover
- Input: 1 x 0 Gauge
- Output: 3 x 4 Gauge
- Included Fuses: 3 150A
- Easy installation for multi use combinations



FD1024/38AFS-60A

AFS MINI ANL FUSE HOLDER AND DISTRIBUTION BLOCK WITH 60A FUSES

- Smoke color protective cover
- Heat resistant base and cover
- Durable finish and conductivity
- Nickel Plated
- 1x0 GA 2x4 GA IN 3x8 GA OUT
- Fuse included: 60 Amp Mini ANL
- Dimensions: 3.2 x 1 x 2.2"



FD1024/28AFS-60A

AFS MINI ANL FUSE HOLDER & DISTRIBUTION BLOCK With 60A FUSES

- Smoke color protective cover
- Heat resistant base and cover
- Durable finish and conductivity
- Nickel Plated
- 1x0 GA 2x4 GA IN 2x8 GA OUT
- 60 Amp Mini ANL Fuse included
- Dimensions: 3.2 x 1 x 1.8"



DB1020

DISTRIBUTION BLOCK

- Clear color protective cover
- Heat resistant plastic housing
- Distribution ground block
- Nickel Plated
- 1x0 GA IN 2x0 GA OUT
- Dimensions: 2.2x1.2x1.8"
- Weight: 8.9 oz



FD1024/48AFS-60A

AFS MINI ANL FUSE HOLDER & DISTRIBUTION BLOCK With 60A FUSES

- Smoke color protective cover
- Heat resistant base and cover
- Durable finish and conductivity
- Nickel Plated
- 60 Amp Mini ANL Fuse included
- 1x0 GA 2x4 GA IN 4x8 GA OUT
- Dimensions: 3.2 x 1 x 2.8"



DB1024

DISTRIBUTION BLOCK

- Clear color protective cover
- Heat resistant plastic housing
- Distribution ground block
- Nickel plated
- 1x0GA IN 2x4GA OUT
- Dimensions: 2.8x2.2x1.2"
- Weight: 4.6 oz



DB1030

DISTRIBUTION BLOCK

- Clear protective cover
- Heat resistant plastic housing
- Distribution ground block
- Nickel Plated
- 1x0GA IN 3x0GA OUT
- Dimensions: 4.2x1.2x2.5"
- Weight: 9.9 oz



DB1034

DISTRIBUTION BLOCK

- Clear protective cover
- Heat resistant plastic housing
- Distribution ground block
- Nickel Plated
- 1x0GA IN 3x4GA OUT
- Dimensions: 2.8x2.2x1.2"
- Weight: 4.6 oz



DB1448

DISTRIBUTION BLOCK

- Clear protective cover
- Heat resistant plastic housing
- Distribution ground block
- Nickel Plated
- 1x4GA 2X8GA IN 4X8GA OUT
- Fuse: 60A
- Dimensions: 2.2x2.1"
- Weight: 4.2 oz



DISTRIBUTION AND BATTERY TERMINALS

NICKEL PLATED ULTRA CONDUCTIVE COPPER ALLOY

DBAR-1

INPUT BATTERY TERMINAL

- 1x 2/0GA
- 5x 1/0GA
- Screw Down Holes for Terminals



SB2/PN

COMPETITION POSITIVE AND NEGATIVE BATTERY TERMINAL

- 3x 6/0GA
- 15x 4/0GA
- Screw Down Holes for Terminals



DBAR-3

3 DISTRIBUTION BAR BLOCK FOR BATTERY TERMINAL

- 3x 2/0GA
- 15x 1/0GA
- Screw Down Holes for Terminals



SB2/PN

COMPETITION BATTERY/GROUND SCREW TYPE TERMINAL

- 2x 1/0GA
- 1x 2/0GA
- Bolt Down Holes



DBAR-2

2 DISTRIBUTION BAR BLOCK FOR BATTERY TERMINAL

B1P: POSITIVE TERMINAL
B1N: NEGATIVE TERMINAL

- 4x 4/0GA
- 2x 6/0GA
- Battery Terminal Type: Clamp



SB1-PN

SB1-PN COMPETITION BATTERY / GROUND SCREW TYPE TERMINAL

- 4x 4/0GA
- 2x 6/0GA
- Bolt Down Holes



INPUT REDUCERS

DP1V1/0

DUAL AMP INPUT REDUCERS With OFFSET STUB

- Power Reductor
- 1x 1/0GA Pin Output
- 2x 2/0GA Input Wire



COPPER LUGS



CCL1/0

1/0GA PACK OF 10 PCS



CCL2/0

2/0GA PACK OF 10 PCS



CCL/4

4GA PACK OF 10 PCS



BATTERY SOLD SEPARATELY



CCA INSTALLATION KITS

AMPKIT0

0 GAUGE AMP KIT

- 17 FT 0 Gauge Red Super-Flex-Twist Premium Cable
- 3 FT 0 Gauge Black Super-Flex-Twist Ground Cable
- 17 FT 12 Gauge Red/Black Super-Flex-Twist Premium Speaker Cable
- 17 FT 2 Channel Shielded Twisted Pair Premium Audio Interconnects
- 17 FT Remote Turn-On Wire
- 6 FT Split Loom Tubing
- 1 Piece ANL Fuse Holder and 250A ANL Fuse
- 0 Gauge Accessories

AMPKIT4

4 GAUGE AMP KIT

- 17 FT 4 Gauge Red Super-Flex-Twist Premium Cable
- 3 FT 4 Gauge Black Super-Flex-Twist Ground Cable
- 17 FT 14 Gauge Red/Black Super-Flex-Twist Premium Speaker Cable
- 17 FT 2 Channel Shielded Twisted Pair Premium Audio Interconnects
- 17 FT Remote Turn-On Wire
- 6 FT Split Loom Tubing
- 1 Piece Mini ANL Fuse Holder and Mini ANL -100A Fuse
- 4 Gauge Accessories

AMPKIT8

8 GAUGE AMP KIT

- 17 FT 8 Gauge Red Super-Flex-Twist Premium Cable
- 3 FT 8 Gauge Black Super-Flex-Twist Ground Cable
- 17 FT 16 Gauge Red/Black Super-Flex-Twist Premium Speaker Cable
- 17 FT 2 Channel Shielded Twisted Pair Premium Audio Interconnects
- 17 FT Remote Turn-On Wire
- 6 FT Split Loom Tubing
- 1 Piece Mini ANL Fuse Holder and Mini ANL-80A Fuse
- 8 Gauge Accessories



OFC INSTALLATION KITS

OFCKIT0

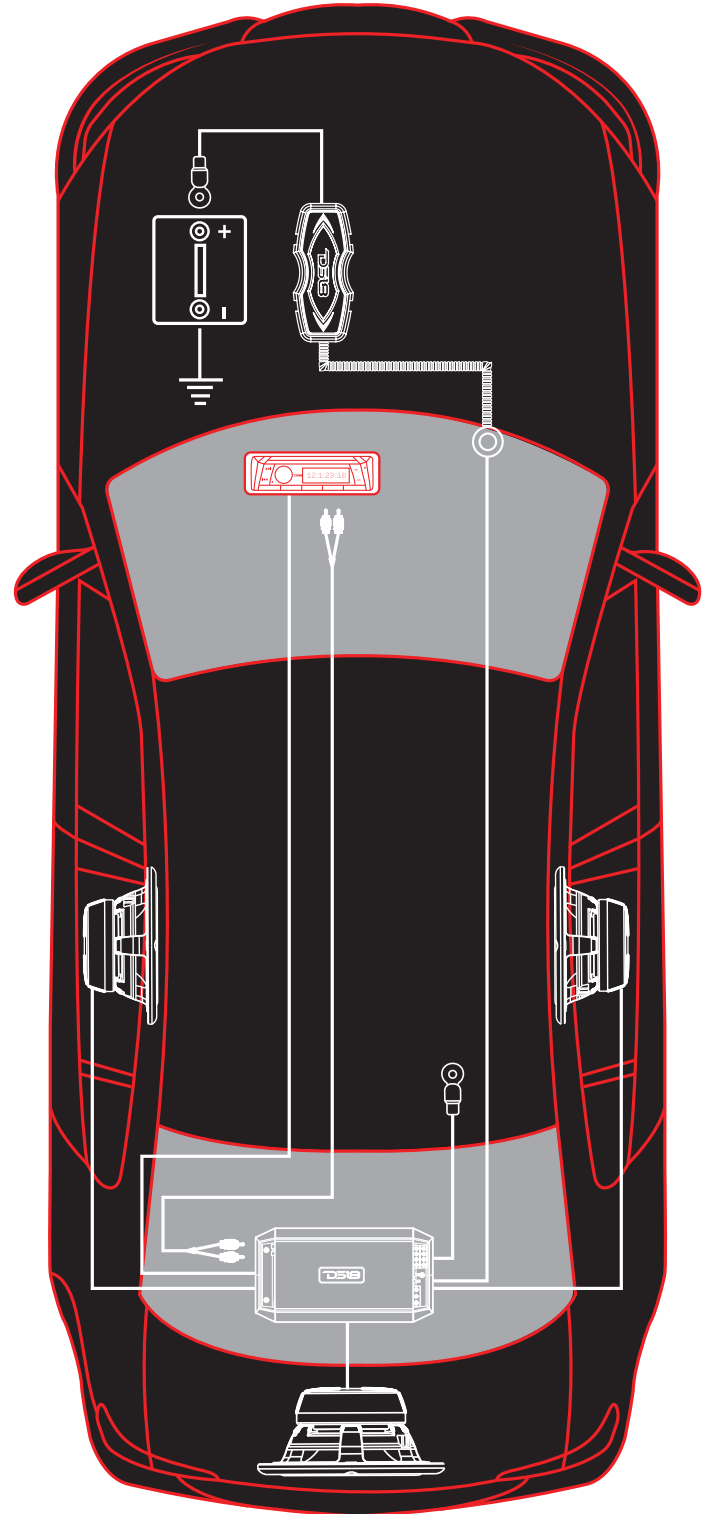
0 GAUGE AMP KIT

- ANL Fuse Holder With ANL-250A
- 6ft. 0GA Loom Tube
- Rubber Grommet
- 17ft. Red Power Cable: 53mm² OD: 15.80mm
- 3ft. Black Ground Cable: 53mm² OD: 15.80mm
- 17ft. Red/Black Twisted RCA Cable
- 17ft. Turn-On Cable: 20x 0.15mm (16 GA)
- 17ft. Red/Black Speaker Cable: 3.31mm² x2 wires OD:4.5x9mm (12 GA)

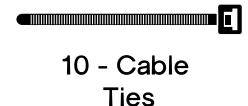
OFCKIT4

4 GAUGE AMP KIT

- MINI ANL Fuse Holder with MINI ANL-150A
- 6ft. 4GA Loom Tube
- Rubber Grommet
- 17ft. Red Power Cable: 21mm² OD: 10mm
- 3ft. black Ground Cable: 21mm² OD: 10mm
- 17ft. Red/Black Twisted RCA Cable
- 17ft. Turn-On Cable: 20x 0.15mm (16GA)
- 17ft. Red/Black Speaker Cable: 1.31mm² x2 wires OD: 3.2*6.4mm (16GA)



ALL AMP KITS INCLUDE:



WIRES AND CABLES

REMOTE WIRE

ULTRA FLEX REMOTE/PRIMARY WIRE

16GA-500 FT

- RE-16GA-500BK
- RE-16GA-500RD
- RE-16GA-500BL
- RE-16GA-500OR

WIRES	SECTION AREA	OD
16GA	1.31mm ²	3.2mm



SPEAKER WIRES

HIGH PERFORMANCE ULTRA-FLEX TWIST SPEAKER WIRE

12GA - 500 FT

SW-12GA-500RB

16GA - 1000 FT

SW-16GA-1000RB

WIRES	SECTION AREA	OD
12GA	3.31mm ²	4.5mm
16GA	1.31mm ²	3.2mm
18GA	0.81mm ²	2.4mm

18GA - 1000 FT

SW-18GA-1000RB



CCA CABLES

HIGH CURRENT CAPACITY, ULTRA FLEX COPPER-CLAD ALUMINUM (CCA) GROUND POWER CABLE

2/0GA-25 FT

PW-2/0GA-25BK
PW-2/0GA-25RD

0GA-50 FT

- PW-0GA-50BK
- PW-0GA-50RD
- PW-0GA-50BL

4GA-100 FT

4GA-100 FT:

PW-4GA-100BK
PW-4GA-100RD
PW-4GA-100BL

8GA-250 FT

8GA-250 FT:

- PW-8GA-250BK
- PW-8GA-250RD
- PW-8GA-250BL

WIRES	SECTION AREA	OD
2/0GA	67.4mm ²	17.5mm
1/0GA	53mm ²	15.8mm
4GA	21.04mm ²	10mm
8GA	8.3mm ²	6.7mm



OFC CABLES

HIGH CURRENT CAPACITY, ULTRA FLEX 100% OXYGEN FREE COPPER (OFC) GROUND POWER CABLE

2/0GA-15 FT

PW-OFC2/0GA-15BK
PW-OFC2/0GA-15RD

1/0GA-15 FT

- PW-OFC1/0GA-15BK
- PW-OFC1/0GA-15RD

4GA-50 FT

PW-OFC4GA-50BK
PW-OFC4GA-50RD
PW-OFC4GA-50BL

1/0GA-25 FT

- PW-OFC1/0GA-25BK
- PW-OFC1/0GA-25RD
- PW-OFC1/0GA-25BL

WIRES	SECTION AREA	OD
2/0GA	67.4mm ²	17.5mm
1/0GA	53mm ²	15.8mm
4GA	21.04mm ²	10mm



RCA CABLES

ULTRA FLEX HIGH-FIDELITY AUDIO/VIDEO SIGNAL CABLES:

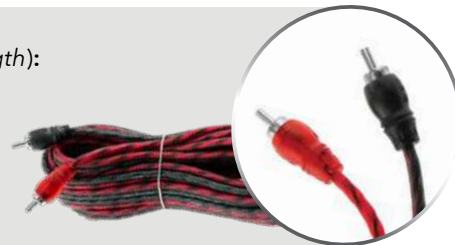
Y CONNECTORS:

- RCA1F2M (1 Female - 2 Male)
- RCA1M2F (1 Male - 2 Female)



CONNECTORS (By Length):

- RCA3FT
- RCA6FT
- RCA12FT
- RCA16FT
- RCA20FT



ULTRA FLEX HIGH-FIDELITY AUDIO/VIDEO SIGNAL WITH BRAIDED CONSTRUCTION JACKET AND SPLIT WIRE WITH DOWN POINT CABLES:

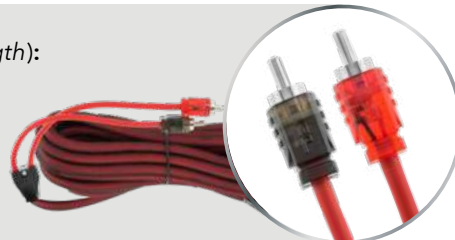
Y CONNECTORS:

- R1F2M (1 Female - 2 Male)
- R2F1M (2 Female - 1 Male)



CONNECTORS (By Length):

- R3 (3FT)
- R6 (6FT)
- R12 (12FT)
- R16 (16FT)
- R20 (20FT)



HQ RCA CABLES

ULTRA FLEX HIGH-QUALITY AUDIO/VIDEO SIGNAL WITH BRAIDED CONSTRUCTION JACKET AND SPLIT WIRE WITH DOWN POINT CABLES:

Y CONNECTORS:

- HQRCA1F2MRD (1 Female - 2 Male) ■
- HQRCA2F1MBK (2 Female - 1 Male) ■
- HQRCA2F1MRD (2 Female - 1 Male) ■
- HQRCA1F2MBK (1 Female - 2 Male) ■



CONNECTORS (By Length):

- HQRCA3FT (3 ft.)
- HQRCA6FT (6 ft.)
- HQRCA12FT (12 ft.)
- HQRCA16FT (16 ft.)
- HQRCA20FT (20 ft.)



CONNECT CABLES

ULTRA FLEX HIGH-QUALITY AUDIO/VIDEO SIGNAL WITH NOISE REJECTION CABLES:

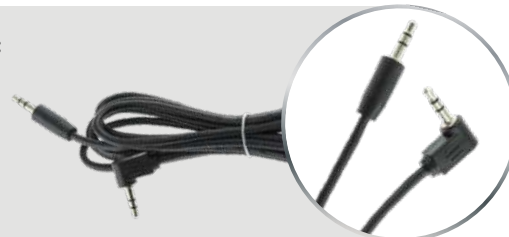
HIGH QUALITY AUXILIARY:

- HQAUX3FT
- HQAUX6FT



AUXILIARY CABLE:

- MP3AUX3FT
- MP3AUX6FT



HIGH QUALITY DUAL RCA AUXILIARY:

- HQMP3DUAL3FT
- HQMP3DUAL6FT



DUAL RCA AUXILIARY:

- MP3DUALRCA3FT
- MP3DUALRCA6FT





REARVIEW MIRRORS AND CAMERAS

EAGLE-C4 HD REARVIEW MIRROR WITH DASH AND REARVIEW CAM REC AND 4 PARKING SENSORS

EAGLE-C4BK BLACK EAGLE-C4SL SILVER (CHROME)

- Universal Mount
- Sensor: 1.2M CMOS sensor, 1/4" Photosensitive Area
- Shot: 4 All-Glass Fixed Focus Lens, 2.0 Aperture, Focal Length 3.4mm
- LCD: 4.3" / 480 x 272 Resolution
- Photo: JPG File Format: 200 Million Pixels
- Waterproof Camera Housing
- Video Photography: H.264 Compression Format, Front 1920 x 1080p Rearview VGA
- Audio: Built-in Microphone / Speaker (AAC)
- RAM: External Media: SDHC Cards (up to 32G, TF Card)
- Battery: 500mAh 3.7V Rechargeable Polymer Battery



RCB22 REVERSE CAMERA WITH NIGHT VISION

- Operation Temperature:
 - -20°C~+75°C
 - TV System: NTSC
 - Effective Pixels: NTSC: 656x462
 - Sensing Area: 5.961mm x 4.276mm
 - Horizontal Resolution: 420 line
 - Dimension: 31 x 28 x 35.5mm
 - Usable Illumination: 2.26V/Lux-sec@5600k
- Electronic Shutter Time: 1/50 (1/60)-1/100,000sec.
- Video Output: CCIR/EIA(PAL/NTSC) Standard
- Video Signal 1.0Vp-p. 75 ohm
- Syns System: Internal Synchronization
- Power Supply: 12V 120mW
- Aluminum Case
- Distant Scale Line: 6-9M



RCB24 REVERSE CAMERA WITH NIGHT VISION

- Operation Temperature:
 - -20°C~+75°C
 - TV System: NTSC
 - Effective Pixels: NTSC: 510 x 496
 - Sensing Area: 5.961mm x 4.276mm
 - Horizontal Resolution: 380 line
 - Dimension: 31 x 28 x 35.5mm
- Usable Illumination: 2.26V/Lux-sec@5600k
- Electronic Shutter Time: 1/60-1/15000sec.
- Video Output: CCIR/EIA(PAL/NTSC) Standard
- Video Signal 1.0Vp-p. 75ohm
- Syns System: Internal Synchronization
- Power Supply: 12V 120mW
- Aluminum Case



RC20 WATERPROOF REAR VIEW CAMERA

- Operation Temperature:
 - -20°C~+75°C
 - TV System: NTSC
 - Distance Scale Line: 6-9M
 - Effective Pixels: NTSC: 720(H)*567(V)
 - Sensing Area: 5.78mm x 4.19mm
 - Horizontal Resolution: 480 Line
 - Dimension: 24 x 25 x 21.6mm
- Usable Illumination: 2.26V/Lux-sec@5600k
- Electronic Shutter Time: 1/50 - 1/100,000sec.
- Video Output: CCIR/EIA(PAL/NTSC) Standard
- Video Sygnal 1.0Vp-p. 75ohm
- Sync System: Internal Synchronization
- Power Supply: 12V 120mW
- Stainless Steel Case



RCTRL REVERSE CAMERA WITH NIGHT VISION AND TRAIL TRACKING DISPLAY

- Effective Pixel Array: 736 x 592
- Pixel Size: 6.43
- Image Area 4.7324mm x 3.56976mm
- Optical Format: 1/3 in RGB Bayer Filter
- Max. Clock Frequency: 54 MHz
- Max Frame Rate:
- Dynamic Range: 66dB
- SNR: 48dB
- 60 FPS, 720 x 480 YCbCr422/RGB565/RGB444@54MHZ
- 60 FPS, 720 x 480 BAYER@27MHz
- 60Field 720 x 480 (288)YCbCr@27MHz
- CVBS 30fps @27MHz
- Dark Current: 40mV/s@60°C
- Power Supply: AVDD/DOVDD/CVDD: 3.3V DVDD:1.5V
- Power Consumption: 280mW
- Operating Temp: -30°C~70°C Back up camera view

ACTIVE PARKING LINES



RCLP BLACK TOP LICENSE PLATE BACKUP CAMERA WITH NIGHT VISION

RCLPB BLACK

RCLPS SILVER (CHROME)

- Stainless Steel
- Waterproof
- High Resolution Night Vision
- Distance Scale
- Color Camera
- Wide Angle (120°-170°)



RCS21N1LP BLACK REVERSE CAMERA AND BACKUP BUZZER FOR LICENSE PLATE

RCS21N1LPB BLACK

RCS21N1LPS SILVER (CHROME)

- 2 Object Sensors with Proximity Alert
- 1/4" CCD Color Camera
- 0.5 LUX Low Light Lens
- Waterproof Camera Housing
- Vertically Pivoting Camera Housing
- 7" Effective Viewing Distance
- External Audible Warning Buzzer
- 130 Capture Angle
- 8 IR LEDs for Night Viewing
- On-Screen Distance Gauge
- RCA Video Output
- Cast Steel Alloy
- Reversed Image
- 640 x 480 Capture Resolutions



RCCP BLACK LICENSE PLATE BACKUP CAMERA WITH NIGHT VISION

RCCPB BLACK

RCCPS SILVER (CHROME)

- Stainless Steel
- Waterproof
- High Resolution Night Vision
- Distance Scale
- Color Camera
- Wide Angle (120°-170°)



MLTL - 2 WAY ALARM WITH REMOTE START

18START

- Two - 4 Button Long Distance Transmitter
- 6 Tones 125 dB Siren
- Remote Start
- Shock Sensor With Sensitivity Adjustment
- Window Rolls Up Automatically (Options)
- Remote Trunk Releasing
- Parking Light Flash
- Dome Light Supervising Output
- Valet Mode
- 2 Auxiliary Outputs Programmable
- Horn And Siren Output Programmable
- Silent Arm / Disarm
- Car Locating / Help Calling
- Programmable Central Lock
- Panic Function
- Fully Programmable Function
- All The Hardware Necessary To Complete Installation Included
- Sending and Receiving Between Remote and Vehicle
- FM Frequency Modulation
- LCD Liquid Crystal Display
- Slim Remote Design
- Dome Light Delay
- Up To 1000 Meters Range fully Programmable Function



MLTL - 1 WAY ALARM WITH REMOTE START

18SPORT

- Two - 4 Button Long Distance Transmitter
- 6 Tones 125 dB Siren
- Shock Sensor With Sensitivity Adjustment
- Window Rolls Up Automatically (Options)
- Remote Trunk Releasing
- Parking Light Flash
- Dome Light Supervising Output
- Valet Mode
- 2 Auxiliary Outputs Programmable
- Horn And Siren Output Programmable
- Anti-Hijacking Mode Engine Cut Off
- Engine Cut Off
- Remote Arm / Disarm
- Automatic Rearm
- Silent Arm / Disarm
- Car Locator / Help Calling
- Programmable Central Lock
- Panic Function
- Fully Programmable Function
- All The Hardware Necessary To Complete Installation Included



18CLASS

- Two - 4 Button Long Distance Transmitter
- 6 Tones 125 dB Siren
- Shock Sensor With Sensitivity Adjustment
- Window Rolls Up Automatically (Options)
- Remote Trunk Releasing
- Parking Light Flash
- Dome Light Supervising Output
- Valet Mode
- 2 Auxiliary Outputs Programmable
- Horn And Siren Output Programmable
- Anti-Hijacking Mode
- Engine Cut Off
- Remote Arm / Disarm
- Automatic Rearm
- Silent Arm / Disarm
- Car Locator / Help Calling
- Programmable Central Lock
- Panic Function
- Fully Programmable Function
- All The Hardware Necessary To Complete Installation Included

SOUND DEADNER

SELF ADHESIVE SOUND DEADNER

SD918 18" X 32" X 0.070"

NOISE, VIBRATION AND/OR HEAT CANCELLATION

- Package Includes:
- 9 Sheets of Self Adhesive Sound Deadner
 - Sheet Size: 18" x 32" x 0.07"
 - Bull-Pack covers 36 Ft²





13.3 VOLT HIGH CURRENT LITHIUM BATTERY (LIFE PO4)



FEATURES

- High Density Plastic & Unique Design
- Latest Generation of Lithium Cell (LifePo40)
- Nickel Plated Ultra Conductive Copper Alloy Terminals
- Very Extreme Burst Amps Output
- Small Size, Light Weight and more power compared with AGM Batteries
- BMS Charging Port Built -In
- High Voltage During Resting Mode (13.3V)
- Fast Recovery



LITHIUM BATTERIES

LITHIUM Batteries	Nominal Voltage	Nominal Ah	Continuous Discharge (4 min Test)	Peak Discharge (30 sec Test)	Burst Amps (Less than 1sec Test)	Dimensions In Inches			Weight Lb	Charge Voltage	
						Length	Width	Height			
LTI24AH	13.3V	24Ah	360A	720A	1000A	TOP	7.75	5.5	6.75	11.5	14.6V
						BOTTOM	7.125	5	6.75		
LTI40AH	13.3V	40Ah	600A	1200A	2200A	12.5	5.5	7.5	22.5	14.6V	
LTI80AH	13.3V	80Ah	1200A	2400A	4500A	15.8	7	8	39 Lb	14.6V	
LTI160AH	13.3V	160Ah	2400A	4800A	9000A	19.5	10.6	7.6	79 Lb	14.6V	

LITHIUM Batteries: High-Tech Battery, Life PO4, Short Circuit, Overload (Charging Port) B.M.S. Built in Protection, Lightweight & Hi Volt Float

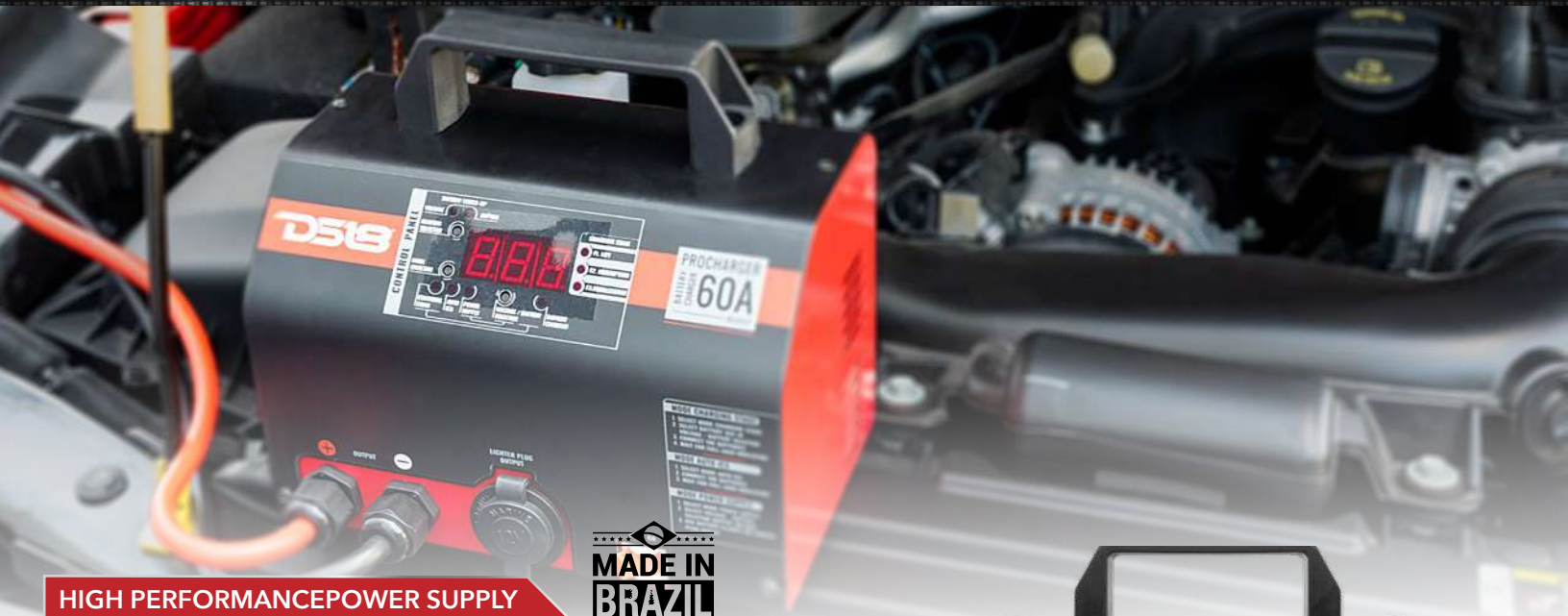


Sometimes your high powered audio systems are going to require more power than your average battery is able to generate. DS18 high output and high current batteries combine deep cycle capabilities and the fastest charge and discharge rates, making them ideal for car audio and hydraulics applications. They can also be used as an upgrade for almost all other applications where high performance and reliability are a must.

AGM BATTERIES

AGM Batteries	Nominal Voltage	Nominal Ah	20Hr Capacity	Burst Amps	Terminal Posts	Dimensions In Inches			Weight Lb	Charging Current	Charge Voltage	Float Voltage	Group
						Length	Width	Height					
PC25	12.8V	25Ah	27Ah	160-195A	T3	6.50	4.96	6.85	16.97	< 6A	14.4-14.9V	13.6-13.8V	N/A
PC35	12.8V	23Ah	37Ah	190-230A	T3	7.72	5.12	7.05	22.04	< 8.25A	14.4 - 14.9V	13.6-13.8V	U1
PC45	12.8V	45Ah	47Ah	275-320A	T3	7.80	6.54	6.85	28.43	< 10.5A	14.4 - 14.9V	13.6-13.8V	U1L
PC55	12.8V	55Ah	60Ah	400-480A	T3	9.02	5.43	8.90	38.36	< 13.8A	14.4 - 14.9V	13.6-13.8V	22NF
PC34-65	12.8V	65Ah	70Ah	450-580A	Post	10.1	6.29	7.2	20	<13.8A	14.4 - 14.9V	13.6-13.8V	34
PC80	12.8V	80Ah	85Ah	510-600A	T3	10.24	6.65	9.09	51.36	< 20A	14.4 - 14.9V	13.6-13.8V	24
PC90	12.8V	90Ah	100Ah	530-630A	T3	12.09	6.65	8.94	58.86	< 22.5A	14.4 - 14.9V	13.6-13.8V	27
PC100	12.8V	100Ah	110Ah	605-720A	T4	12.91	6.77	8.74	66.13	< 25A	14.4 - 14.9V	13.6-13.8V	31
PC150	12.8V	150Ah	160Ah	900-1,070A	T4	19.06	6.73	9.49	90.38	< 30A	14.4 - 14.9V	13.6-13.8V	N/A
PC180	12.8V	180Ah	200Ah	1,260-1,498A	T4	20.94	8.11	8.70	115.7	< 36A	14.4 - 14.9V	13.6-13.8V	4D
PC220	12.8V	220Ah	240Ah	1,700-2,090A	T5	20.55	9.45	9.61	133.37	< 44A	14.4 - 14.9V	13.6-13.8V	4D
PC250	12.8V	250Ah	280Ah	2,380-2,926A	T5	20.47	10.55	9.65	149.9	< 50A	14.4 - 14.9V	13.6-13.8V	8D

AGM Batteries: Sealed, Maintenance Free, Non-Spillable & Deep Cycle



HIGH PERFORMANCE POWER SUPPLY

MADE IN BRAZIL

BC60L

INFINITE - 60 AMP

- Input (Automatic Bi-Volt): 90 to 140Vac / 170 to 240Vac
- Consumption with maximum load: 900W
- Maximum Output Current: 60A
- Intelligent Charging System: 13.8 / 14.4 Vdc cyclic
- 3 Phase Slow Charge System: Lifting/Absorption/Equalization
- Intelligent Ventilation System: PWM dynamic control
- Accuracy Voltmeter / Amp Meter: 99% / 96%
- Protections: Overload / Short on Output / Temperature
- Cable Length Grab (meters): 1.5
- Dimensions L x W x D (mm): 204 x 170 x 123



BC80L

INFINITE - 80 AMP

- Input (Automatic Bi-Volt): 90 to 140Vac / 170 to 240Vac
- Consumption with maximum load: 1200W
- Maximum Output Current: 80A
- Maximum Output Voltage: 14.4 Vdc
- Intelligent Charging System: 13.8 / 14.4 Vdc cyclic
- Accuracy Voltmeter / Amp Meter: 99% / 96%
- Refrigeration: Forced
- Protections: Excess charge, short on output and temperature
- Weight Kg: 1.9
- Dimensions L x W x D (mm): 250 x 190 x 85



BC200L

INFINITE - 200 AMP

- Input (Automatic Bi-Volt): 90 to 140Vac / 170 to 240Vac
- Consumption with maximum load: 3000W
- Maximum Output Current: 200A
- Maximum Output Voltage: 14.4 Vdc
- Intelligent Charging System: 13.8 / 14.4 Vdc cyclic
- Accuracy Voltmeter / Amp Meter: 99% / 96%
- Refrigeration: Forced
- Protections: Excess charge, short on output and temperature
- Weight Kg: 2.75
- Dimensions L x W x D (mm): 295 x 190 x 90



INTELLIGENT BATTERY CHARGER AND POWER SUPPLY



PWSi50A

INFINITE - 50 AMP

- Input (Automatic Bi-Volt): 90 to 140Vac / 170 to 240Vac
- Consumption with maximum load: 7500W
- Maximum Output Current: 50A
- Maximum Output Voltage: 14.4 Vdc
- Intelligent Charging System: 13.8 / 14.4 Vdc cyclic
- Accuracy Voltmeter / Amp Meter: 99% / 96%
- Refrigeration: Forced
- Protections: Excess charge, short on output and temperature
- Weight Kg: 1.75
- Dimensions L x W x D (mm): 295 x 190 x 90



PWSi200A

INFINITE - 200 AMP

- Input (Automatic Bi-Volt): 90 to 140Vac / 170 to 240Vac
- Consumption with maximum load: 3000W
- Maximum Output Current: 200A
- Maximum Output Voltage: 14.4 Vdc
- Intelligent Charging System: 13.8 / 14.4 Vdc cyclic
- Accuracy Voltmeter / Amp Meter: 99% / 96%
- Refrigeration: Forced
- Protections: Excess charge, short on output and temperature
- Weight Kg: 2.75
- Dimensions L x W x D (mm): 295 x 190 x 90



POWER SUPPLY

PWS100A

INFINITE - 100 AMP

- | | |
|--|---|
| <ul style="list-style-type: none"> • Input Voltage: 20V AC +10% • Input Frequency: 60 Hz • Adjustable Output: 10V-16V DC + 0.5 Volts • Line Regulation: Less than +5% • Load Regulation: Less than +5% • Output Current: 100A DC continuous (Max) • Efficiency: More than 85% • Overload Protection: Fuse 20A/250V | <ul style="list-style-type: none"> (Input voltage:120V) • Output Ripple: 150 mv RMS • Design: Switching type • Protection Temperature: 75o C / 161.6o F • Cooling Fan: 4 PCS (40 x40 x10 mm) • Input Cable: SVT 14 AWG • Power Switch: 20A/250V AC • Dimensions (W x H x L) : 67 x 247 x 262.4 mm |
|--|---|



WATER RESISTANT - INTELLIGENT BATTERY CHARGING SYSTEM

PWSMA56A

MARINE - 56 AMP

- Input (Automatic Bi-volt): 90 to 140Vac / 170 to 240Vac
- Consumption with maximum load: 810W
- Maximum output current: 56 Amperes
- Maximum Output Voltage: 14.4 Vdc
- Intelligent charging system: 13.8 / 14.4 cyclic
- Voltmeter accuracy: 99%
- Ammeter Accuracy: 96%
- Refrigeration: Forced
- Protections: Excess charge, short on output and temperature
- Dimensions L x W x D (mm): 240 x 225 x 67
- Weight kg: 2.76



▲▲ FOR ALL ELEMENTS

DS18

M A R I N E

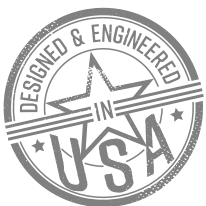


▲▲ FOR ALL ELEMENTS

Created and developed by a team of young and determined professionals who understand the needs of the demanding audio industry, DS18 is a leading electronics manufacturer of Mobile, Marine & Home Electronic equipment with its headquarters in Miami, FL, USA.

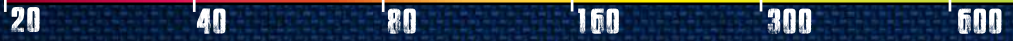
DS18's Hydro consists of IPX65 rated products that endure the tough conditions of the marine environment. From radios, speakers, subwoofers, drivers towers to the LED lights all our line is tested with high standard procedures that simulate exposure of real life circumstances to deliver our customers years of trouble-free enjoyment.

HYDRO



Navigate with confidence blasting your favorite tunes, DS18 uses top quality materials to guarantee excellence, durability, consistency and maximum performance.





MARINE HEAD UNIT

MRX1

- AM/FM tuner
- USB for music & charging
- Audio Aux input
- Wired Remote input
- Front, Rear and Subwoofer RCA output
- 4 Volts Pre-amp
- v4.2 & ID3 Tag info
- IPX 6 Rating & UV/Salt resistance
- 40W X 4 Max @ 2 ohm stable
- Universal round mounting hole
- Low Voltage Warning alarm



- **TUNER**
 - Global AM/FM Radio SiLab Tuner Chips
 - Weather Alert Radio SiLab Chips
 - Digital Tuning
 - FM Stereo
 - 10 Preset Stations
 - Switching for NOAA Weather Bands



- **GENERAL & CONTROL**
 - Dot matrix display
 - Power On/Off
 - Volume Control
 - Tuning Control
 - Scan, Info, Menu



- **POWER OUTPUT**
 - 4 x 20W RMS (10% THD)
 - 4 channel preamp output system



- **AUDIO FEATURES**
 - Bluetooth V 4.2 CSR chipset
 - MP3/WMA/WAV files Playback
 - 7 Band Graphic EQ
 - USB Port input



- **EXPANDABILITY**
 - Wired remote control



- **POWER SOURCE**
 - DC 12V Marine supply

MARINE 2 WAY SPEAKER

- Motor structure use y35 ferrite main magnet & reverse neodymium magnet
- 25mm titanium dome pei surround tweeter
- Ip65 marine grade compliant specifications, 100% UV stable
- High gloss injection molded composite asa grills with UV coating
- High temp injection molded composite
- High gloss basket with UV coating
- Integrated led-rgb lighting

NXL-6/WH

6.5"

300W MAX / 100W RMS / 4 OHMS / WHITE / PAIR
FREQUENCY RESPONSE 45HZ-23KHZ

- Sensitivity: 91dB at 1W/1M
- Mounting Depth: 2.52"/64mm
- Cut-out Diameter: 5.39"/137mm
- Overall Diameter: 6.93"/176mm
- Overall Height: 3.7"/94mm

NXL-8/WH

8"

375W MAX / 125W RMS / 4 OHMS / WHITE / PAIR
FREQUENCY RESPONSE 35HZ-23KHZ

- Sensitivity: 93dB at 1W/1M
- Mounting Depth: 3.11"/79mm
- Cut-Out Diameter: 7.09"/180mm
- Overall Diameter: 8.58"/218mm
- Overall Height: 4.45"/113mm



Also available in:
 Matte Black (6.5" NXL-6/BK / 8" NXL-8/BK)
 Carbon Fiber (6.5" CF-65 / 8" CF-8)

MARINE 2 WAY SPEAKER WITH BULLET TWEETER

- IP65 Marine Grade Compliant 100% UV Stable
- Sensitivity: 98dB
- Coax Separate with Floating Design
- Y35 Ferrite Main Magnet and Reverse N40H (Neodymium) Magnet
- 1.75" VC N40H (Neodymium) Titanium Bullet Tweeter
- Integrated LED-RGB Lighting
- Waterproof Compress Paper Cone with Carbon fiber
- Soft PC Damping Glued Surround
- CNC Solid Aluminum Bullet
- Injection ABS Grill with High Gloss UV-Coating
- PC Injection Molded Composite Basket with UV Coating
- 316 Stainless Metal Mesh



NXL-10/WH

10"

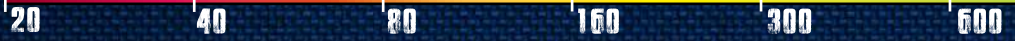
900W MAX / 300W RMS / 4 OHMS / WHITE / PAIR
FREQUENCY RESPONSE 55HZ-22KHZ



Also available in:
 Matte Black (10" NXL-10/BK)
 Carbon Fiber (10" CF-10)



Compatible with DS18 LED-BTC or any other RF/BT/ WiFi Controller for Multi-Function RGB LED Lighting (Sold Separately)



▲▲ FOR ALL ELEMENTS



WAKEBOARD POD TOWER SPEAKER

INCLUDES: 2 CLAMP BASE

- IP65 Marine-Grade Compliant
- Coax Separate Floating Design
- 1" Titanium Dome PEI Surround Tweeter
- Magnet Type: Y35 Ferrite Main Magnet and Reverse Neodymium
- High Temp Injection Molded Composite
- CNC Aluminum Base For Flat Mounting
- Die-Cast Solid Aluminum 360-Degree Rotation Mobile Clamps Included Tube (1.75", 2")
- Buried Wire Or Open Wire Mounting Optional
- Injection ABS/PC With Red UV Coating Enclosure
- Injection ABS Grill with Black painted High Gloss UV Coating
- Injection Molded UV-Compliant, Polypropylene Cone
- Magnet Type: Y35 Ferrite Main Magnet And Reverse Neodymium
- High Temp Injection Molded Composite High Gloss Basket
- High Gloss Injection Molded ASA Grill
- High Density Plastic Molded with Color Injected
- 6 Core Wires For Lighting And Speaker
- Front Logo And Back Covers Can be Rotated For Correct Angle Display

NXL-PS6/WH

6.5"

300W MAX / 100W RMS / 4 OHMS / WHITE / PAIR
SENSITIVITY 91 dB / FREQUENCY RESPONSE 65HZ-23KHZ



NXL-PS8/WH

8"

375W MAX / 125W RMS / 4 OHMS / WHITE / PAIR
SENSITIVITY 93 DB / FREQUENCY RESPONSE 55HZ-23KHZ



Also available in:

- Matte Black (6.5" NXL-PS6/BK / 8" NXL-PS8/BK)
- Glossy Red (6.5" NXL-PS6/RD / 8" NXL-PS8/RD)
- Carbon Fiber (6.5" CF-PS6 / 8" CF-PS8)



Compatible with DS18 LED-BTC or any other RF/BT/ WiFi Controller for Multi-Function RGB LED Lighting. (Sold Separately)

WAKE-BOARD POD TOWER SPEAKER WITH BUILT IN DRIVER

- IP65 Marine-Grade Compliant
- Coax Design 1.5" VC Titanium Dome Compression Driver With Full Ferrofluid
- Motor Structure Use N40H Neodymium Magnet
- Gray Painted Waterproof Compress Paper Cone With Carbon fiber, PC Surround
- Die-cast Solid Aluminum 360-Degree Rotation Mounting Mobile Clamps, Full Rounded, Buried Wire or Open Wire Mounting Optional, Included: (1.5", 1.75", 2") NBR Pad
- UV-Compliant High Gloss, High Polymer With Resin and Fiberglass Composite
- 6 Core Wires For Lighting and Speaker
- Front Logo And Back Cover is Rotatable

NXL-6TPNEO/WH

6.5"

450W MAX / 150W RMS / 4 OHMS / WHITE / PAIR
SENSITIVITY 93 dB / FREQUENCY RESPONSE 70HZ-21KHZ

NXL-8TPNEO/WH

8"

8" 550W MAX / 180W RMS / 4 OHMS / WHITE / PAIR
SENSITIVITY 95 dB / FREQUENCY RESPONSE 60HZ-21KHZ



Also available in:
Matte Black (6.5" NXL-6TPNEO/BK / 8" NXL-8TPNEO/BK)
Glossy Red (6.5" NXL-6TPNEO/RD / 8" NXL-8TPNEO/RD)
Carbon Fiber (6.6" CF-6TPBNEO / 8" CF-8TPBNEO)



WAKE-BOARD POD TOWER SPEAKER WITH BUILT IN TWEETER AND PASSIVE SUB

- IP65 Marine-Grade Compliant
- Coax Separate Floating Design
- 1.75" VC Titanium Film Bullet Tweeter
- Die-cast Solid Aluminum 360-Degree Rotation Mounting Mobile Clamps, Full Rounded, Buried Wire Or Open Wire Mounting Optional, Included 2.25", 2.5", 2.75", 3" NBR Pad
- CNC Solid Aluminum Bullet With High Gloss White painted
- Gray Painted Waterproof Compress Paper Cone With Carbon fiber,
- Soft PC Damping Glued Surround
- Magnet Type: Y35 Ferrite + N40H (Neodymium) Magnet
- Injection White ABS 6.0mm Thickness Strong High Gloss UV-Coating Enclosure
- Injection White ABS Grill With High Gloss UV-Coating With 316 Stainless Metal Mesh
- PC Injection Molded Composite Basket
- 6" Passive Radiation For Bass Boost With Lighting
- 6 Core Wires For Lighting And Speaker
- Front Logo Can be Rotated For correct angle Display

NXL-10TPNEO/WH

10"

900W MAX / 300W RMS / 4 OHMS / WHITE / PAIR
SENSITIVITY 98 dB / FREQUENCY RESPONSE 45HZ-22KHZ

Built-In Titanium Bullet Tweeter

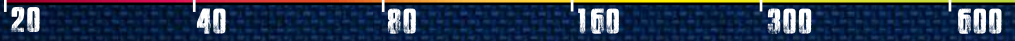
6" Passive Radiation For Bass Boost With Lighting



Also available in:
Matte Black (10" NXL-10TPNEO/BK)
Glossy Red (10" NXL-10TPNEO/RD)
Carbon Fiber (10" CF-10TPBNEO)



Compatible with DS18 LED-BTC or any other RF/BT/ WiFi Controller for Multi-Function RGB LED Lighting (Sold Separately)



▲▲ FOR ALL ELEMENTS

DOUBLE WAKE-BOARD POD TOWER SPEAKER WITH BUILT IN DRIVER

- Double 25mm Titanium Dome PEI Surround Tweeter
- IP65 Marine-Grade Compliant
- 1.35" Titanium Diaphragm Compression Driver
- 18dB Crossover with Ferrofluid Temperature Switch to Cool Down Voice Coil and Increase Sensitivity
- Die-Cast Solid Aluminum Mounting Clamps, Full Rounded Buried Wire or Open Wire Mounting
- Included (1.5", 1.75", 2") NBR Pad
- Included (2.25", 2.5", 2.75") NBR Pad
- UV-Compliant High Gloss; High Polymer with Resin and Fiberglass Composite;
- Injection Molded UV-Compliant; Polypropylene Cone
- Motor Structure with Y35 Ferrite Main Magnet and Reverse Neodymium Magnet
- Integrated LED-RGB Speaker Lighting
- 6 Core Wires for Lighting and Speaker



NXL-62TD/WH

6.5"

750W MAX / 250W RMS / 4 OHMS / WHITE
SENSITIVITY 94 dB / FREQUENCY RESPONSE 65HZ-23KHZ



NXL-82TDNEO/WH

8"

900W MAX / 300W RMS / 4 OHMS / WHITE
SENSITIVITY 97 dB / FREQUENCY RESPONSE 55HZ-23KHZ



NXL-102TDNEO/WH

10"

1800W MAX / 600W RMS / 4 OHMS / WHITE
SENSITIVITY 101 dB / FREQUENCY RESPONSE 42HZ-20KHZ



Also available in:
Matte Black (6.5" NXL-62TDW/BK / 8" NXL-82TD/BK / 10" NXL-102TD/BK)
Red (6.5" NXL-62T/RD / 8" NXL-82T/RD / 10" NXL-102T/RD)
Carbon Fiber (6.6" CF-62TD / 8" CF-82TD / 10" CF-102/TD)



Compatible with DS18 LED-BTC or any other RF/BT/ WiFi Controller for Multi-Function RGB LED Lighting (Sold Separately)

DRIVER WAKE-BOARD POD TOWER

- IP65 Marine-Grade Compliant
- 18dB Crossover with Temperature Switch
- Ferro Fluid that Cools Down the Voice Coil and Increases Sensitivity
- Motor Structure use Y35 Ferrite Magnet
- Die-Cast Solid Aluminum 360-Degree Rotation Mounting Clamps
- Full Rounded Buried Wire or Open Wire Mounting (Optional)
- Included (1.5",1.75",2") NBR Pad UV Compliant High Gloss, High Polymer with Resin and Fiberglass Composite Body
- 6 Core Wires for Lighting and Driver with integrated LED-RGB Lighting Speaker
- Front Logo & Back Cover are Rotatable (Only when flat mounting can be adjusted)
- Frequency Response: 1KHz--20 KHz



NXL-DT/WH 1.75" VC

900W MAX / 300W RMS / 4 OHMS / WHITE
SENSITIVITY 110 dB / FREQUENCY RESPONSE 1KHZ-20KHZ



Also available in:
Matte Black (NXL-DT/BK)
Glossy Red (NXL-DT/RD)
Carbon Fiber (CF-DT)



WAKE-BOARD POD TOWER ENCLOSURE WITH BUILT IN RGB LIGHT

SINGLE, NO SPEAKER

- IP65 Marine Grade Compliant Specifications
- 00% UV Stable
- High temperature injection molded composite basket and grills with UV coating
- Adjustable mounting angles with 360 degree rotation
- Adapters included to mount on different size poles
- Flat Mount Optional

6.5"	8"
NXL-6TPW/NS	NXL-8TPW/NS
GLOSSY WHITE	GLOSSY WHITE
NXL-6TPR/NS	NXL-8TPR/NS
GLOSSY RED	GLOSSY RED
NXL-6TPBK/NS	NXL-8TPBK/NS
MATTE BLACK	MATTE BLACK
CF-6TP/NS	CF-8TP/NS
CARBON FIBER	CARBON FIBER



Compatible with DS18 LED-BTC or any other RF/BT/ WiFi Controller for Multi-Function RGB LED Lighting (Sold Separately)

▲▲ FOR ALL ELEMENTS

2-WAY PASSIVE SOUNDBAR SYSTEM

- For ATV / UTV, Golf Carts & Jeeps
- Waterproof Sound Bar Speaker System
- IP65 Marine-Grade Compliant
- Tube Mounting Kit Include
- Extrusion Aluminum Cabinet with Black Sand Powder Coating
- 8 Core Wires For Lighting and Speaker
- Integrated LED-RGB Sound Bar Lighting
- RF / BT or WiFi Controller For Multi-Function RGB LED Lighting (Optional)
- Left and Right Input for Stereo Application



Tube Mounting Kit Include



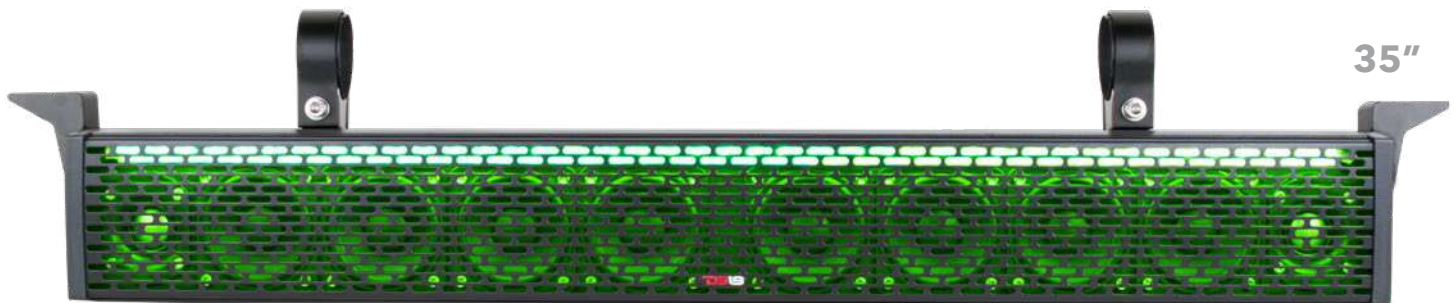
SBAR25 25"

- Continuous Power Handling 100W x 2 RMS
- Peak Music Power 600 Watts MAX
- Efficiency: 94.7dB 1W/1M 2.8V
- Frequency Response: 63Hz - 20KHz
- 4 x 4" Speaker (left & right channels)
- 2 x 1" Titanium Dome PEI Surround Tweeter With Horn Face Plate



SBAR35 35"

- Continuous Power Handling 125W x 2 RMS
- Peak Music Power 800 Watts MAX
- Efficiency: 97dB 1W/1M 2.8V
- Frequency Response: 55Hz - 20KHz
- 8 x 3" Speaker (left & right channels)
- 2 x 1" Titanium Dome PEI Surround Tweeter With Horn Face Plate



Compatible with DS18 LED-BTC or any other RF/BT/ WiFi Controller for Multi-Function RGB LED Lighting (Sold Separately)

ACTIVE AMPLIFIED SOUNDBAR SYSTEM

- For ATV / UTV , Golf Carts & Jeeps
- Waterproof Sound Bar Speaker System
- IP65 Marine-Grade Compliant
- Class D AMP with BT4.2
- Waterproof Paper Cone with Rubber Surround
- Magnet Material: Y35 Ferrite and Neodymium Reversed Magnet
- Aux. 3.5 mm Input & Output
- Extrusion Aluminum Cabinet with Black Sand Powder Coating
- Aux. 3.5 mm Input & Output

- DC12-15 Volt Input
- 3.8m Input Special Wires
- 2" & 1.75" Clamp for Tube and "L" Bracket for Flat Mounting
- BT AMP Auto Turn On/Off Circuit
- BT AMP High Temperature Protection
- BT Overload Protection
- BT AMP Short-Circuit Protection
- USB 3.0 Waterproof Port For Remote
- RF / BT or WiFi Controller For Multi-Function RGB LED Lighting (Optional)

CHROMED COVER WATERPROOF REMOTE CONTROLLER WITH 3M CONNECT WIRES INCLUDED



SBAR30BT

30"

- Continuous Power Handling 80W x 2 RMS
- Peak Music Power 500 Watts MAX
- 2 x 1" Titanium Dome PEI Surround Tweeter with Horn Face Plate
- 6 x 3" Speaker for Left and Right Channel
- Efficiency: 95dB 1W/1M 2.8V
- Frequency Response: 63Hz - 20KHz



SBAR35BT

35"

- Continuous Power Handling 100W x 2 RMS
- Peak Music Power 600 Watts MAX
- 2 x 1" Titanium Dome PEI Surround Tweeter with Horn Face Plate
- 8 x 3" Speaker for Left and Right Channel
- Efficiency: 95dB 1W/1M 2.8V
- Frequency Response: 63Hz - 20KHz



Tube Mounting Kit Include



Compatible with DS18 LED-BTC or any other RF/BT/ WiFi Controller for Multi-Function RGB LED Lighting (Sold Separately)



SUBWOOFER

- IP65 Marine Grade Compliant Specifications, 100% UV Stable
- Sensitivity: 89dB
- Motor Structure Use Y35 Ferrite Main Magnet
- Gloss Basket with UV Coating
- High Temp Injection Molded Composite

NXL10SUB/WH

10"

600W MAX / 300W RMS / 4 OHMS / WHITE

- Mounting Depth: 5.02" / 127.5 mm
- Cut-Out Diameter: 8.78" / 223 mm
- Overall Diameter: 10.75" / 273 mm
- Overall Height: 6.71" / 170.5 mm

NXL12SUB/WH

12"

700W MAX / 350W RMS / 4 OHMS / WHITE

- Mounting Depth: 5.75"/146mm
- Cut-Out Diameter: 10.71"/272mm
- Overall Diameter: 12.81"/325.3mm
- Overall Height: 7.68"/195mm



Also available in:
BLACK (12" NXL-12SUBBK)
CARBON FIBER (10" CF-10SUB)



Compatible with DS18 LED-BTC or any other RF/BT/ WiFi Controller for Multi-Function RGB LED Lighting (Sold Separately)

LOADED SUBWOOFER BOX WITH PASSIVE

- IP65 Marine Grade Compliant Specifications, 100% UV Stable
- 10" Passive Radiation For Bass Boost In Back
- Frequency Response: 35Hz - 1.2KHz +/- 3dB
- Sensitivity: 87dB 1W/1M
- PE Plastic Box Waterproof
- High Temp injection Molded Composite PC Basket
- Injection Molded, UV Compliant, Polypropylene Cone, Butyl Surround
- High Temp Injection Molded Composite Grilles
- 316 Metal Mesh
- Motor Structure Use Y35 Ferrite Magnet
- Overall Depth: 13.65"/347mm
- Overall Width: 14.17"/360mm
- Overall Height: 12.6"/320mm

**10" Passive Radiation
For Bass Boost with
Lighting**



NXL10SUBLD/WH **10"**
700W MAX / 350W RMS / 4 OHMS / WHITE

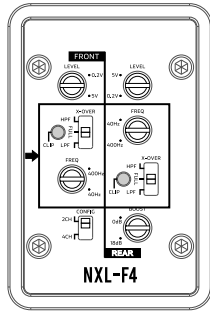
Also available in:
MATTE BLACK
(10" NXL-10SUBLD/BK)



FLUSH MOUNT MARINE AMPLIFIER



- Flush Mount Design
- IPX67 Water Resistant
- Protruding Sealed Cables
- LPF/HPF/FULL Crossover
- Audio Precision Quality Control Verification
- LED Indicates working status: Clip/Power/Protection
- Voltmeter Display Built-in
- NOT FOR SUBMERSIBLE USE



NXL-F4

4 CHANNELS

- Max Power 1200W
- Power @ 4 ohms 4 x 100W
- Power @ 2 ohms 4 x 160W
- Bridge Power @ 4 ohms 2 x 320W
- Fuse Rating 1x 30A
- 8 GA Input
- Size (LxWxH) mm: 238 x 135 x 41



NANO MARINE AMPLIFIER



- Ultra Compact Size for Easy Installation
- Protruding Sealed Cables
- IPX67 Water Resistant
- LPF/HPF/FULL Crossover
- 30A Fuse
- NOT FOR SUBMERSIBLE USE



NXL-N2

2 CHANNELS

- Max Power 600W
- Power @ 4 ohms 2x 100W
- Power @ 2 ohms 2x 150W
- Bridge Power @ 4 ohms 1x 300W
- Fuse Rating: 1x 30A
- 8 GA Input
- Size (LxWxH) mm: 200 x 93.4 x 39.8

NXL-N4

4 CHANNELS

- Max Power 1200W
- Power @ 4 ohms 4x 100W
- Power @ 2 ohms 4x 150W
- Bridge Power @ 4 ohms 2x 260W
- Fuse Rating: 2x 30A
- 8 GA Input
- Size (LxWxH) mm: 200 x 93.4 x 39.8



NXL-N1

1 CHANNELS

- Max Power 700W
- Power @ 4 ohms 1x 140W
- Power @ 2 ohms 1x 230W
- Power @ 1 ohms 1x 360W
- Fuse Rating: 1x 50A
- 8 GA Input
- Size (LxWxH) mm: 200 x 93.4 x 39.8



SURFACE MOUNT MARINE AMPLIFIER

- Stainless Hardware
- IPX67 Waterproof
- UV / Salt Fog Protection
- RCA Input / Speaker/
- Power Direct Harness Design
- Surface Mount Component Technology
- NOT FOR SUBMERSIBLE USE

NXL-200.2D 2 CHANNELS

- Max Power 600W
- Power @ 4 ohms 2x 100W
- Power @ 2 ohms 2x 150W
- Bridge Power @ 4 ohms 1x 300W
- Fuse Rating: 1x 40A
- 8 GA Input
- Size (LxWxH) mm: 192 x 125 x 42

NXL-400.4D 4 CHANNELS

- Max Power 1200W
- Power @ 4 ohms 4x 100W
- Power @ 2 ohms 4x 150W
- Bridge Power @ 4 ohms 2x 300W
- Fuse Rating: 1x 80A
- 8 GA Input
- Size (LxWxH) mm: 245 x 125 x 42

NXL-850.4D 4 CHANNELS

- Max Power 2100W
- Power @ 4 ohms 4x 200W
- Power @ 2 ohms 4x 300W
- Bridge Power @ 4 ohms 2x 500W
- Fuse Rating: 1x 130A
- 8 GA Input
- Size (LxWxH) mm: 295 x 125 x 42

NXL-600.1D 1 CHANNELS

- Max Power 1800W
- Power @ 4 ohms 1x 250W
- Power @ 2 ohms 1x 400W
- Power @ 1ohms 1x 600W
- Fuse Rating: 1x 80A
- 8 GA Input
- Size (LxWxH) mm: 215 x 125 x 42

NXL-1100.1D 1 CHANNELS

- Max Power 3300W
- Power @ 4 ohms 1x 600W
- Power @ 2 ohms 1x 850W
- Power @ 1 ohms 1x 1100W
- Fuse Rating 1x 140A
- 8 GA Input
- Size (LxWxH) mm: 265 x 125 x 42

NXL-800.5D 5 CHANNELS

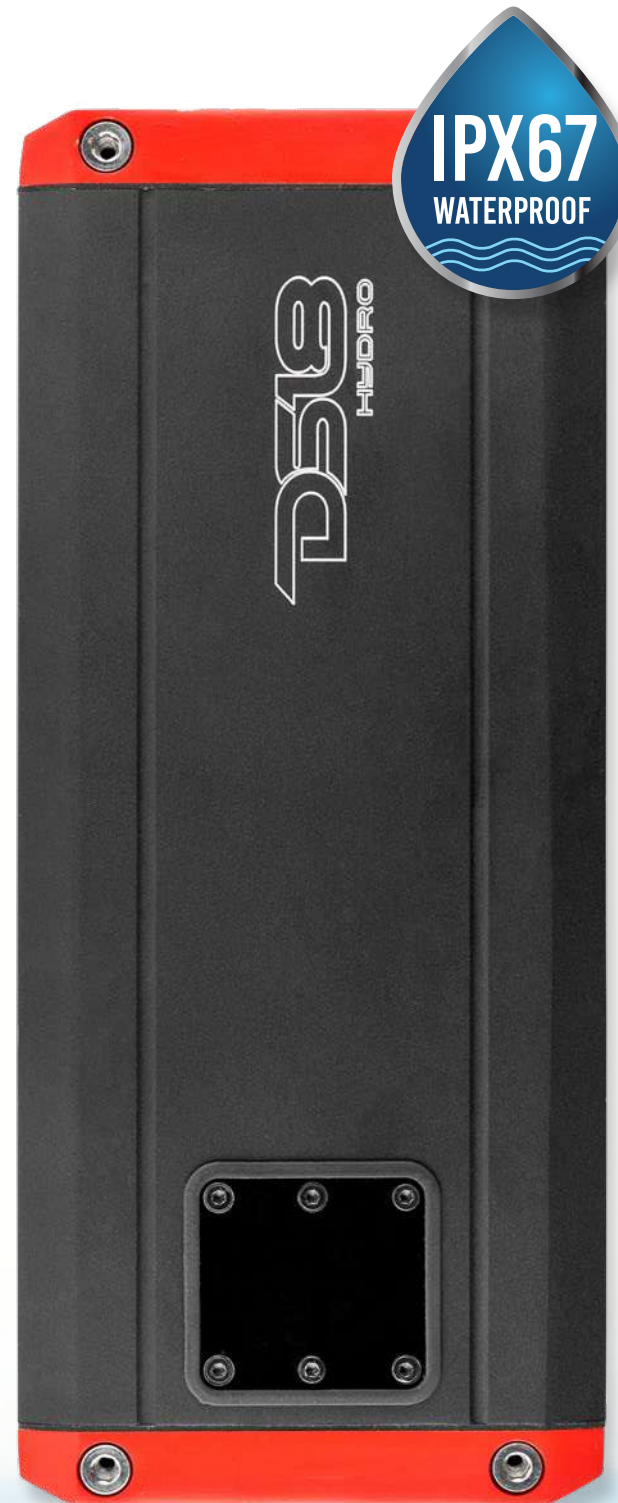
- Max Power 1600W
- Power @ 4 ohms 4x 80W + 200W
- Power @ 2 ohms 4x 125W + 300W
- Bridge Power @ 4 ohms 2x 250W
- Fuse Rating 1x 100A
- 8 GA Input
- Size (LxWxH) mm: 295 x 93.4 x 39.8

NXL-900.6D 6 CHANNELS

- Max Power 2700W
- Power @ 4 ohms 6x 150W
- Power @ 2 ohms 6x 225W
- Bridge Power @ 4 ohms 3x 450W
- Fuse Rating: 1x 160A
- 8 GA Input
- Size (LxWxH) mm: 295 x 125 x 42

NXL1000.8D 8 CHANNELS

- Max Power 3000W
- Power @ 4 ohms 8x 125W
- Power @ 2 ohms 8x 190W
- Bridge Power @ 4 ohms 4x 350W
- Fuse Rating: 1x 190A
- 8 GA Input
- Size (LxWxH) mm: 320 x 125 x 42





FLAT MOUNTING

DESIGNED FOR (CF-PS6, CF-PS8, NXL-PS6, NXL-PS8)

- Die-cast Solid Aluminum
- 360° Rotational Bracket
- Tilt Adjustable 30°
- UV-Compliant Gloss
- Included Hardware
- Sold in Singles

FLMBPS/W **WHITE**

FLMBPS/B **BLACK**



TOWER MOUNT FOR MASTERCRAFT BOATS

- CNC Solid Aluminum
- 360° Rotational Bracket
- UV-Compliant
- Included Hardware
- Sold in Singles

RTMPS/B **WHITE**

RTMPS/W **BLACK**



360° ROTATING BRACKET

DESIGNED FOR NXL & CF TOWER MOUNTING

- Die-Cast Aluminum
- Tilt Adjustable 30°
- UV-Compliant Gloss
- Sold in Singles

TMBRW **WHITE**

TMBRB **BLACK**



TOWER MOUNTING MOBILE CLAMPS

DESIGNED FOR NXL & CF TOWER MOUNTING

- Die-Cast Solid Aluminum
- Full Rounded
- Buried Wire or Open Wire Mounting Optional
- Included 2.25", 2.5", 2.75", 3" NBR Pad
- 360° Rotational Bracket
- Tilt Adjustable 30°
- UV-Compliant Gloss
- Sold in Singles

CLP3RW **WHITE**

CLP3RB **BLACK**



FLAT MOUNTING

- Die-Cast Solid Aluminum
- 360° Rotational Bracket
- Tilt Adjustable 30°
- UV-Compliant Gloss
- Sold in Pairs

FLMB/W **WHITE**

FLMB/B **BLACK**



MARINE GRADE TIN OXIGEN FREE COPPER WIRES

POWER WIRES

ULTRA FLEX MARINE GRADE IN RED & WHITE INSULATOR JACKET

MOFC-0GA-25P 0GA 25 FEET

MOFC-4GA-50P 4GA 50 FEET

MOFC-8GA-100P 8GA 100 FEET

GROUND WIRES

ULTRA FLEX MARINE GRADE IN BLACK & WHITE INSULATOR JACKET

MOFC-0GA-25G 0GA 25 FEET

MOFC-4GA-50G 4GA 50 FEET

MOFC-8GA-100G 8GA 100 FEET

SPEAKER WIRES

ULTRA FLEX MARINE GRADE IN BLACK & WHITE INSULATOR JACKET

MOFC-12GA-150SW 12GA 150 FEET

MOFC-16GA-150SW 16GA 150 FEET



HIGH PERFORMANCE SPECS
BY AMERICAN STANDARD SPECS:

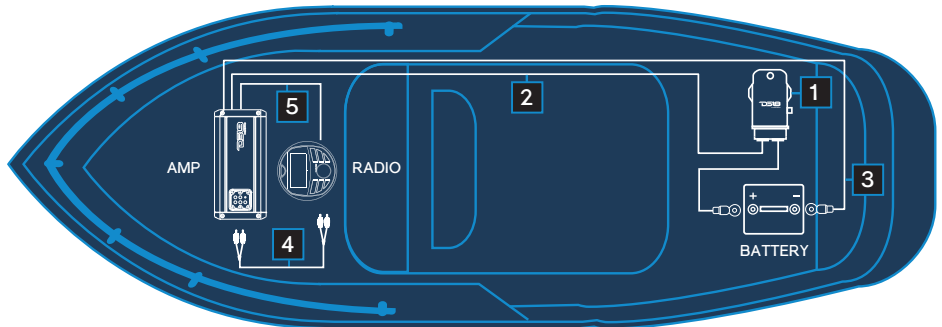
WIRES	SECTION AREA	OD
0GA	53mm ²	15.8mm
4GA	21.04mm ²	10mm
8GA	8.3mm ²	6.7mm
12GA	3.31mm ²	4.5mm
16 GA	1.31mm ²	3.2mm

MARINE GRADE TIN COPPER INSTALLATION KIT

MOFCKIT4

4 GAUGE

- Waterproof Fuse Holder*
- 17 ft. 4GA White Power Tin OFC Cable
- 17 ft. 4GA Black Ground Tin OFC Cable
- 17 ft. Red / Black RCA Tin OFC Cable with metal plugs
- 17 ft. Blue Remote Tin OFC Ca
- *NOT FOR SUBMERSIBLE USE



MOFCKIT8

8 GAUGE

- Waterproof Fuse Holder
- 17 ft. 8GA White Power Tin OFC Cable
- 17 ft. 8GA Black Ground Tin OFC Cable
- 17 ft. Red / Black RCA Tin OFC Cable with metal plugs
- 17 ft. Blue Remote Tin OFC Cable
- *NOT FOR SUBMERSIBLE USE

4 GA ACCESSORIES SET:

-  1 x 80A fuse up to 960 watts
-  1 x 100A fuse up to 1200 watts
-  1 x 150A fuse up to 1800 watts
-  10 x Cable Ties
-  2 x Ring Terminals
-  4 x 4 AWG End Sleeves Cable Silver Plating
-  4 x 2 AWG End Sleeves Cable Silver Plating
-  3 x Allen Keys 2mm, 1.3 mm, 1.4mm

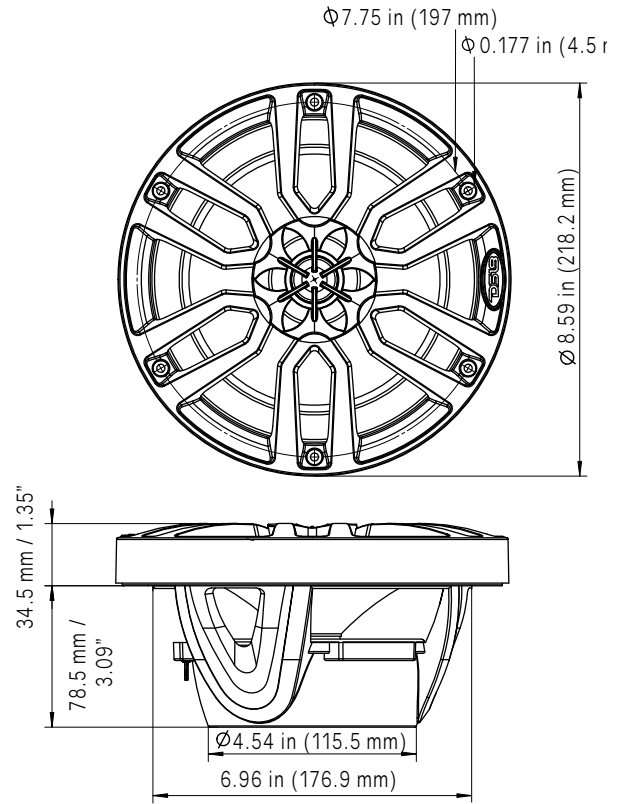
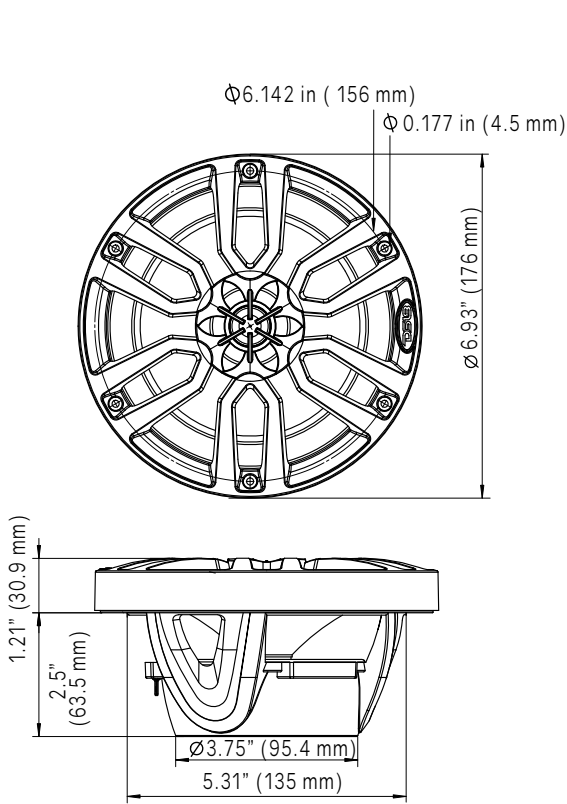
8 GA ACCESSORIES SET:

-  2 x 30A fuse up to 720 watts
-  2 x 40A fuse up to 960 watts
-  10 x Cable Ties
-  2 x Ring Terminals
-  4 x 10 AWG End Sleeves Cable Silver plating
-  4 x 8 AWG End Sleeves Cable Silver plating
-  2 x Allen Keys 2mm, 1.3 mm

NXL-6 / CF-65

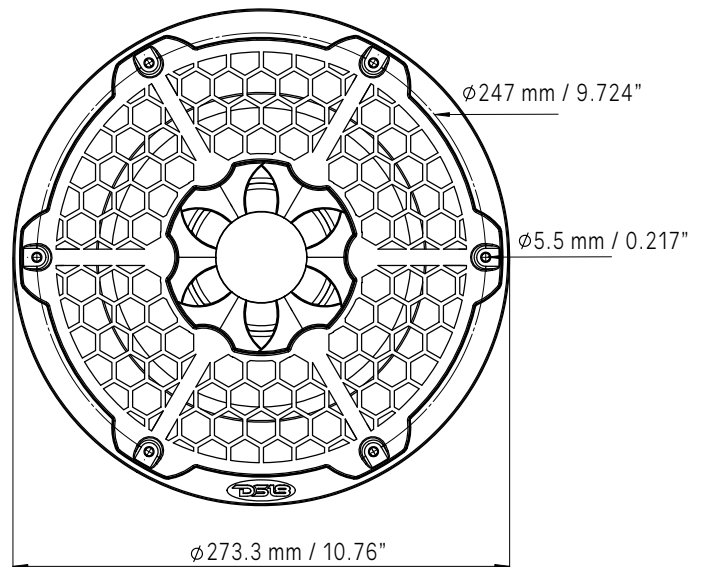
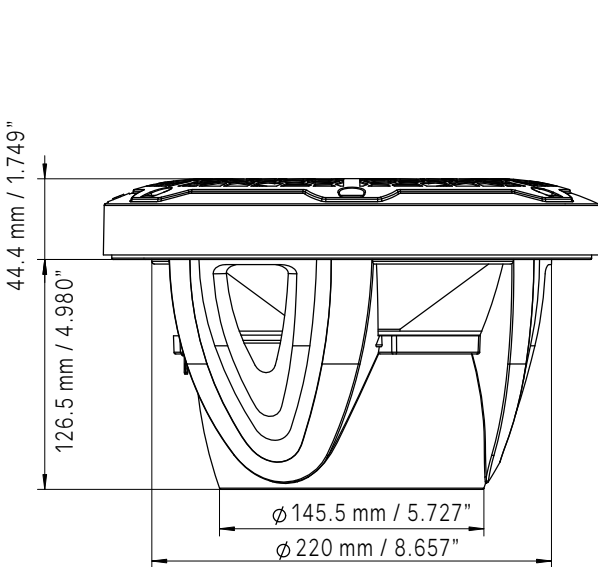
NXL-8 / CF-8

PAGE 5



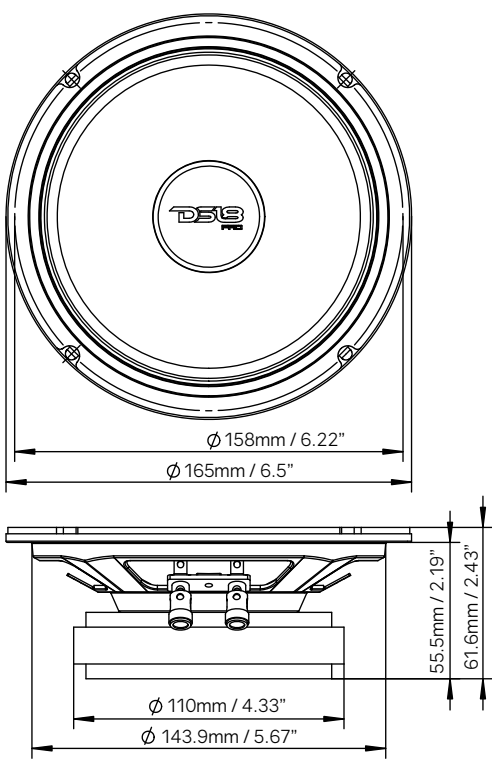
NXL-10 / CF-10

PAGE 6

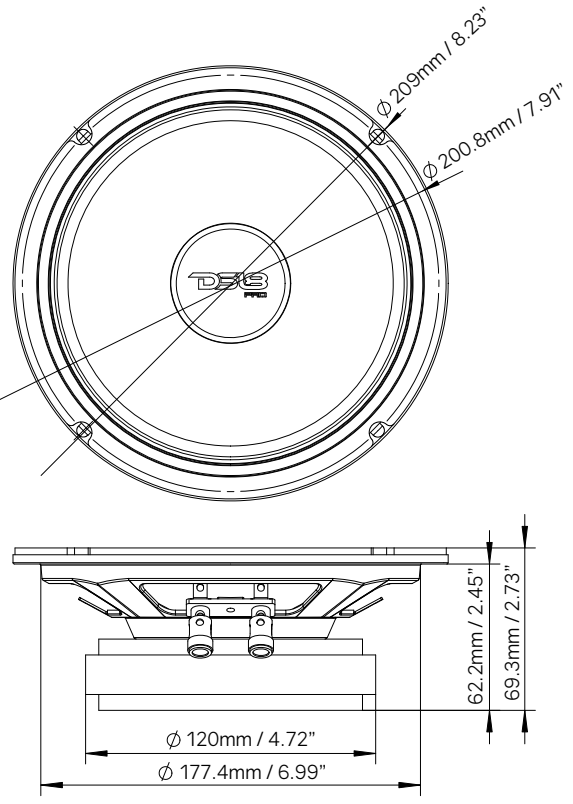


PRO-SM6.2

PAGE 7

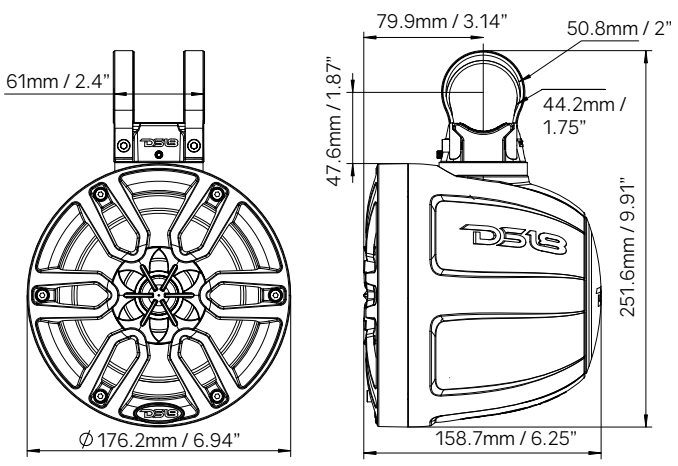


PRO-SM8.2

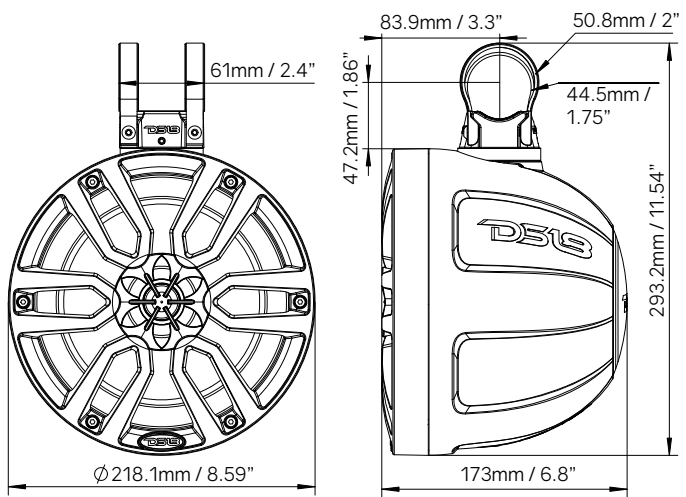


NXL-PS6 / CF-PS6

PAGE 8

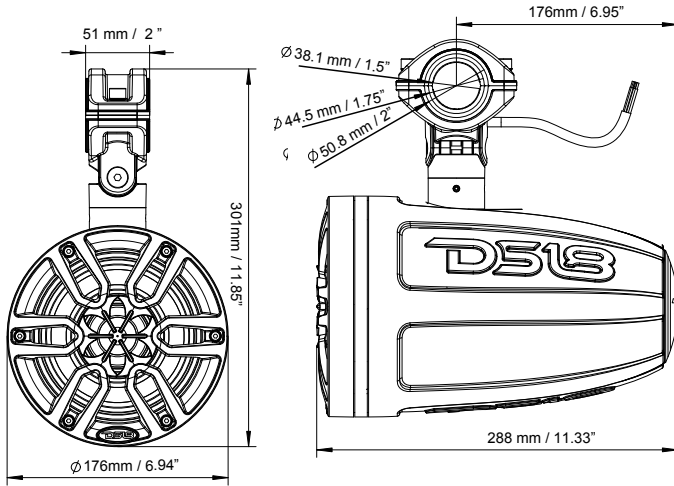


NXL-PS8 / CF-PS8

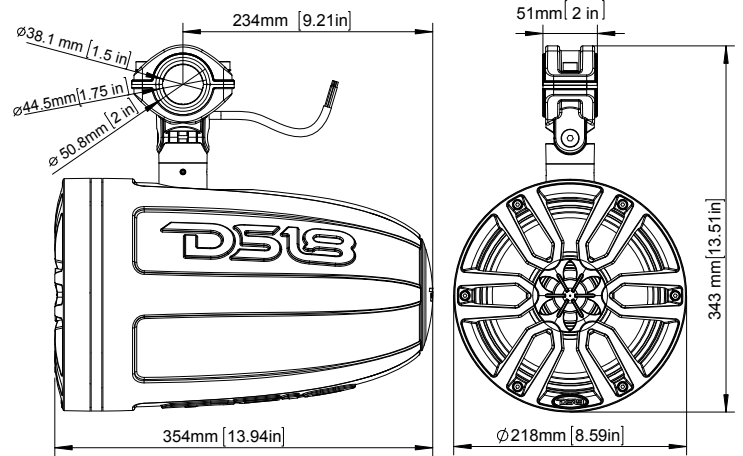


NXL-6TPNEO / CF6TPBNEO

PAGE 9

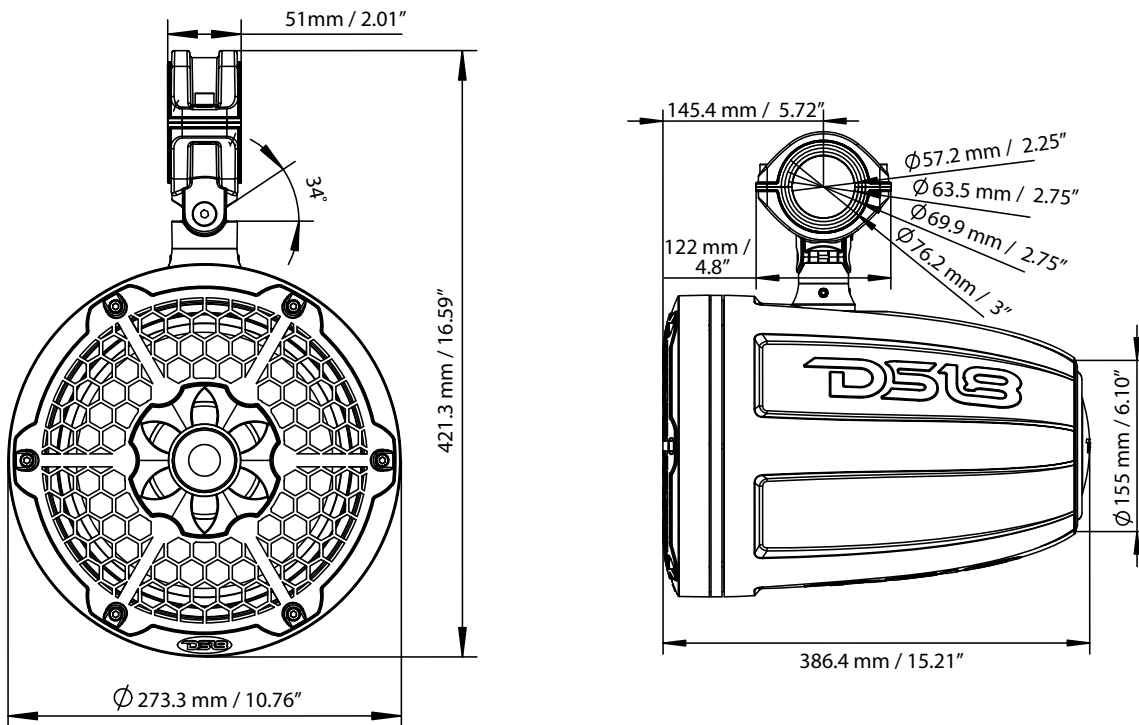


NXL-8TPNEO / CF8TPBNEO



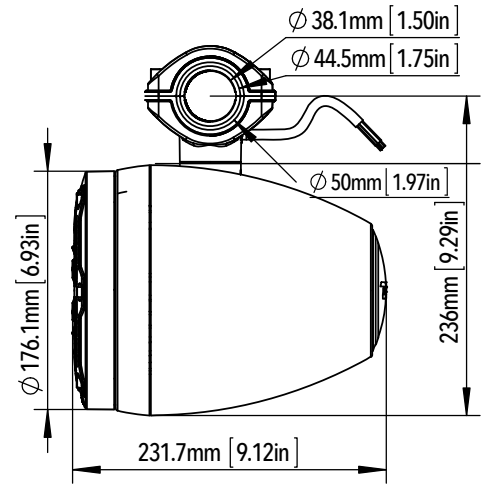
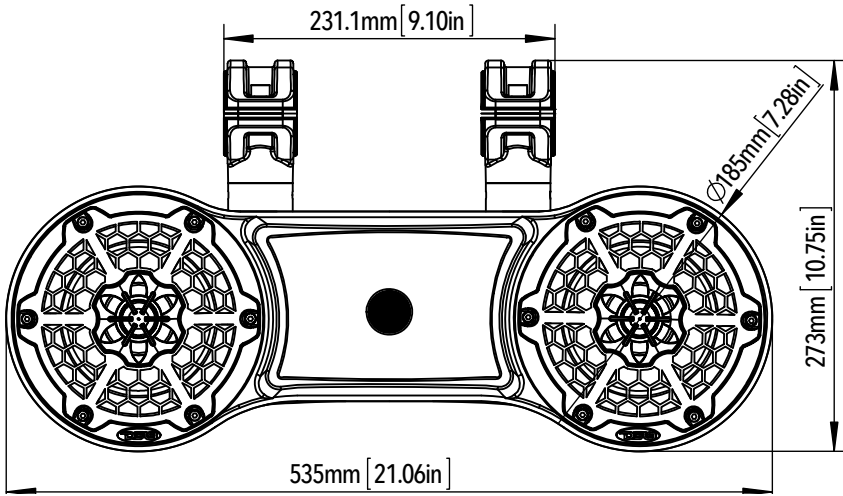
NXL-10TPNEO / CF-10TPNEO

PAGE 10



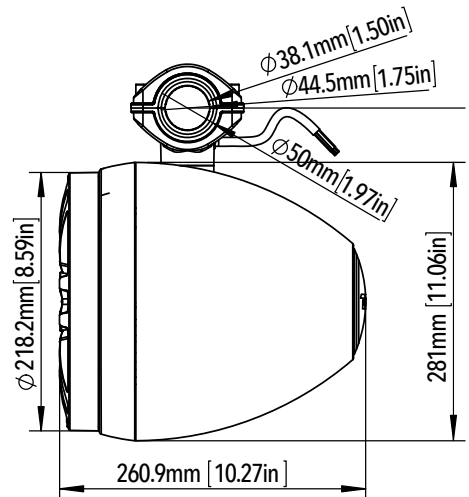
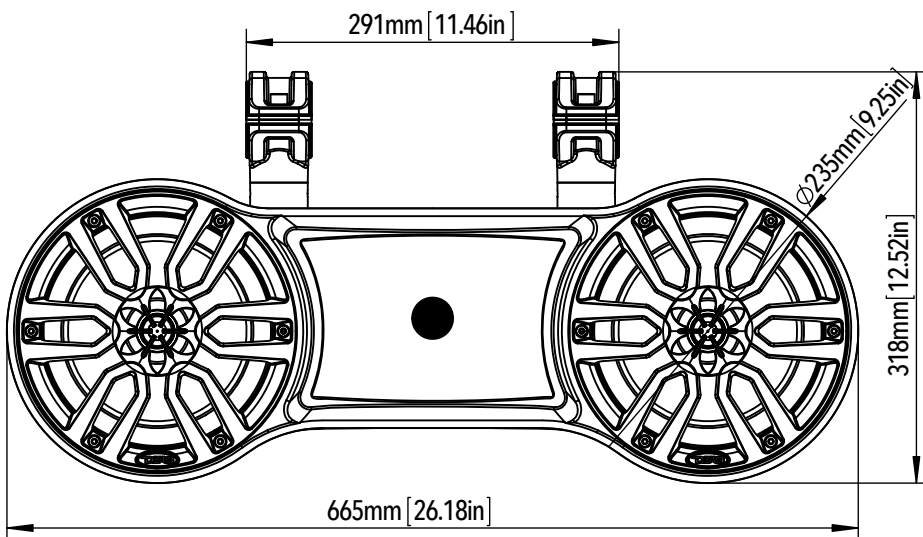
NXL-62TD / CF-62TD

PAGE 11



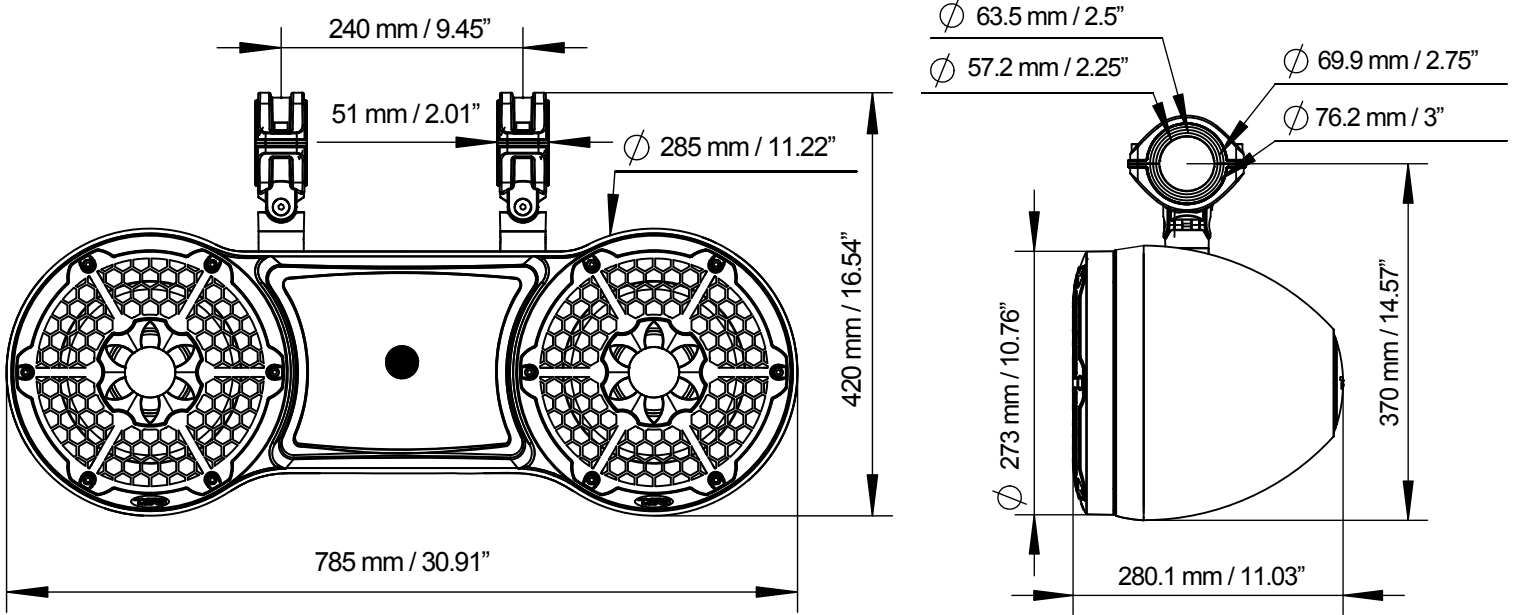
NXL-82TD / CF-82TD

PAGE 11



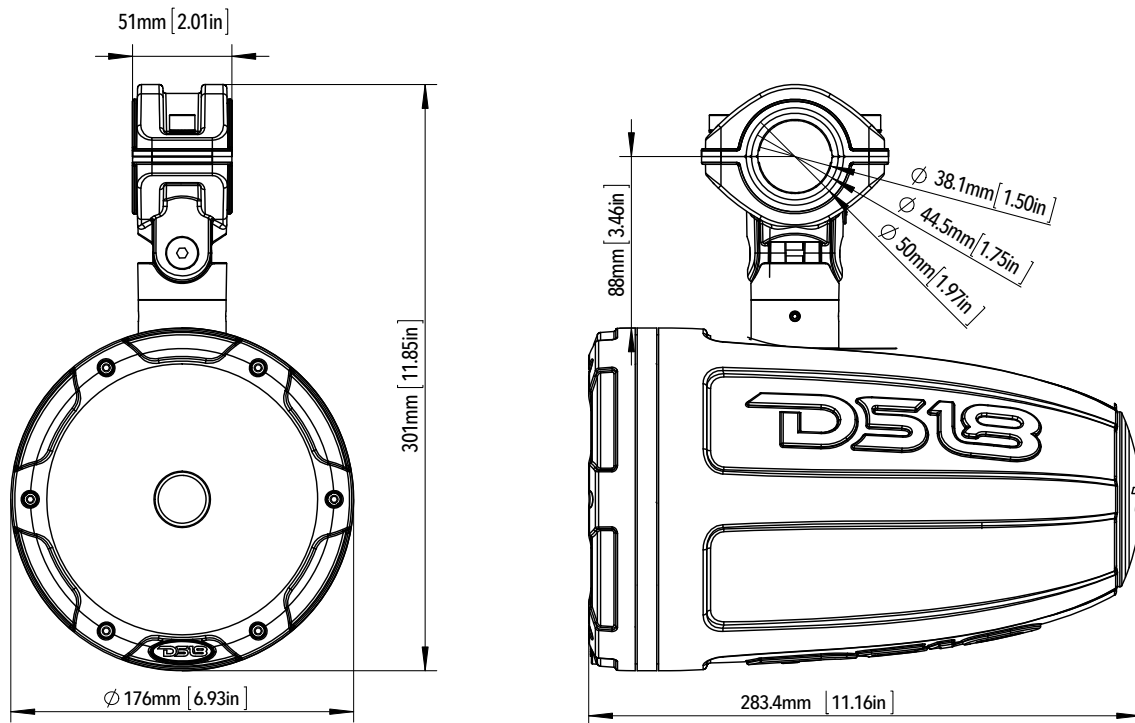
NXL-102TD / CF-102TD

PAGE 11



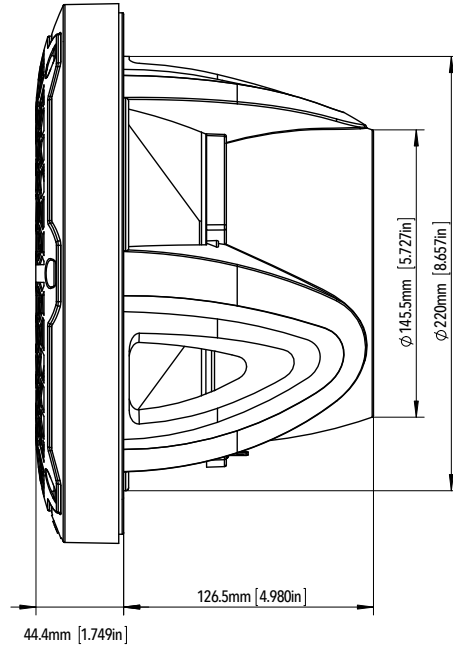
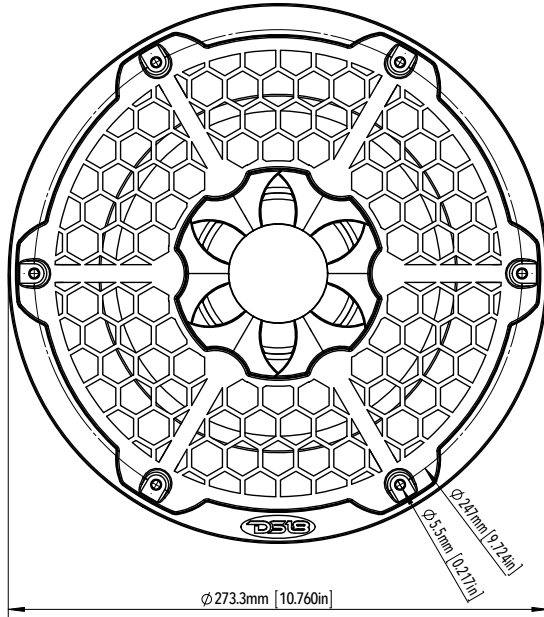
NXL-DT / CF-DT

PAGE 12



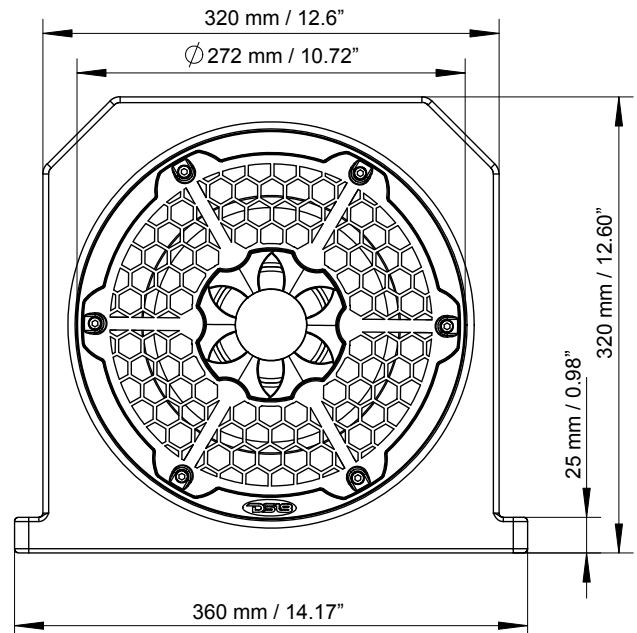
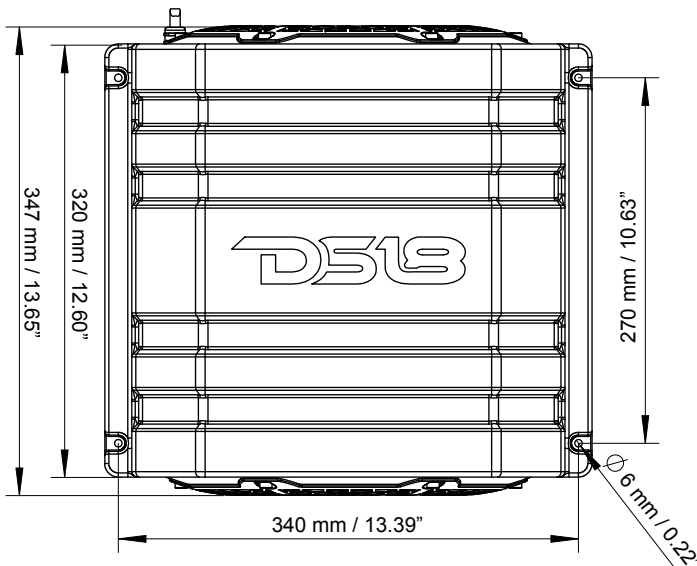
NXL-10SUB / CF-10SUB

PAGE 15



NXL-10SUBLD

PAGE 16





LED RGB HEADLIGHT BULB

7" LED / RGB HEADLIGHT FOR JEEP, GM, HARLEY DAVIDSON & MORE!

- White Halo D.R.L Ring with Amber Turn Signal Function
- RGB High Power Lenses
- RF / BT & WiFi Controller (Optional)
- Low Beam LED 3500LM
- High Beam LED 3800LM
- Back Illuminated DS18 Logo
- LED Canbus Included
- H4 / H13 / 9004 / 9007 Connections Included



LED RGB HEADLIGHT BULB

HEADLIGHT BULB ALL-IN-ONE CONVERSION KIT

- New 360° Projection Design
- Super Cambus Built In
- LED with Adjustable Base
- Applicable To any Car
- Anti-Glare, Shockproof Design, Stable Light
- Perfect Heat Dissipation Design
- Suitable For General Bulb Model
- Super Long Lifetime: Above 50,000 Hours
- Waterproof Grade: IP68
- Voltage: 8-32V DC

POWER:

- High Beam: 60 Watts
- Low Beam: 30 Watts
- Single Beam: 30 Watts
- Brightness: High Beam: 8,000LM
Low Beam: 5,000LM

H1	5202
H3	D2
H4	D4
H7	9004
H10	9005
H11	9006
H12	9006
H13	PSX20W



LOW BEAM



HIGH BEAM



1.2K

2.4K

5K

10K

20K

30K

HIGH
FREQUENCY

LIFE STYLE

BLUETOOTH HEADPHONES

BOLD-W
WHITE & GOLD
BOLD-B
BLACK & GOLD

FOLDABLE HIGH DEFINITION NOISE CANCELING BLUETOOTH HEADPHONE

- Available in Black or White
- Built - In Microphone
- Answer/Hang Up Phone Calls Directly From Headphone
- Speaker: $\Phi 40\text{mm}$
- Impedance: 32 ohm
- Sensitivity: $105 \pm 3\text{dB S.P.L}$ at 1KHz
- Rated Power: 50mW
- Frequency Response: 20-20KHz
- Working Distance Range: 32 Feet
- Charging Time: 2 Hours
- Talking / Music Time: 5 hours
- Standby Time: 30 Hours
- Foldable Compact Design Provides Portability & Durability
- Includes Travel Pouch
- Cable length: 4 Feet
- Plug Type: USB Plug


HDPBT
BLACK AND RED

FOLDABLE BLUETOOTH HEADPHONE WITH TF CARD, FM RADIO & AUX-IN

- Speaker: $\Phi 40\text{mm}$
- Impedance: 32 ohm
- Sensitivity: $105 \pm 3\text{dB S.P.L}$ at 1KHz
- Rated Power: 15mW
- Frequency Range: 2.402 GHz-2.480 GHz
- Cable length: 120cm \pm 2cm
- Working Distance Range: 10 M
- Plug Type: USB plug
- Charging Time: 2 Hours
- Playing Time: 4 hours


HDP
BLACK AND RED

FOLDABLE WIRED HEADPHONE WITH MICROPHONE & AUX-IN

- Speaker: $\Phi 40\text{mm}$
- Impedance: 32 ohm
- Sensitivity: $105 \pm 3\text{dB S.P.L}$ at 1KHz
- Rated Power: 15mW
- Frequency Range: 2.402 GHz-2.480 GHz
- Cable length: 120cm \pm 2cm
- Working Distance Range: 10 M
- Plug Type: USB plug
- Charging Time: 2 Hours
- Playing Time: 4 hours



WATERPROOF SPEAKER

STORM-R
RED & BLACK
STORM-S
SILVER & BLACK

WATERPROOF WIRELESS BLUETOOTH SPEAKER WITH MICROPHONE

- 4.2 BT Version
- Lithium Battery Voltage: 7.4V
- Lithium Battery Capacity: 4400 mAh
- Speaker Spec: 40 mm 4 ohm 2 X 10 Watts
- Waterproof: IP67
- Battery Life: 9-12 Hours
- Charging Voltage: 5V
- THD: <0.3%
- SNR: >92dB
- BT Distance: 65 Feet
- Dimensions: 189mm x 51mm x 80mm



THERMOELECTRIC COOLER AND WARMER

COOLBOX24	24 LITERS
COOLBOX50	50 LITERS

- 2 Temperature Settings, Gets as Cold as 34F & Can Warm Up To 140F
- Hot/Cold/Off Switch, AC/DC Switch
- Hot / Cold Indicator Lights
- Heavy Duty Handle For Easy Transport
- Includes a 6 Feet DC Power Cord Which Allows The Unit To Be Placed In The Vehicle's Backseat
- Operates On 12V Dc (Cord Included)



TRAVEL ACCESSORIES

AUTO-MAT INFLATABLE CAR BED

- Automatically Turn your Car's Backseat Into a Comfortable Bed!
- Material: PVC + Flocking
- Capacity: 1-2 People (300 kg)
- Can Be Used as a Bed or as a Couch
- Great for Cars, Camping, Road trips, Napping etc.
- Dimensions: 55 x 35.4 x 17.7"
- 2 Pillows Included
- Pet Friendly

AVAILABLE IN BLUE AND BLACK



CHILL-PILL INFLATABLE TRAVEL PILLOW

- Material: PVC + Flocking
- Soft Material & Washable Cover
- Inflatable & Portable Design
- Packed Size: 50cm x 40cm x 28cm
- Inflated Size: 55cm x 35cm x 30cm
- Great for Airplanes, Cars, Buses, Trains, Camping etc.
- Easily Inflate and Deflate
- You Can Easily Inflate This Napping Pillow With Just 5-8 Breaths and Deflate This Travel Air Pillow With Just Pressing The Gas Nozzle



Learn more about car speakers we have.