

The DS18 logo is rendered in a bold, stylized, metallic font with a 3D effect. The letters 'D', 'S', and '1' are connected, and the '8' is also connected to the '1'. A registered trademark symbol (®) is located at the top right of the '8'.

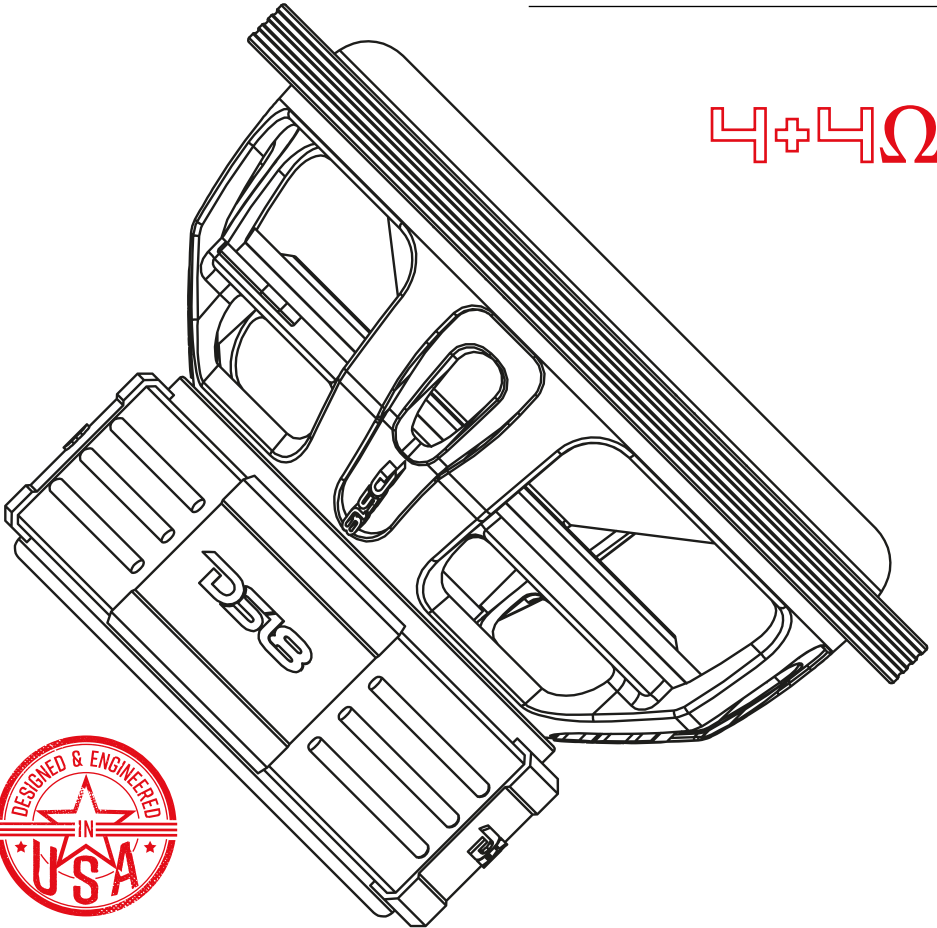
DS18[®]

OWNER'S MANUAL

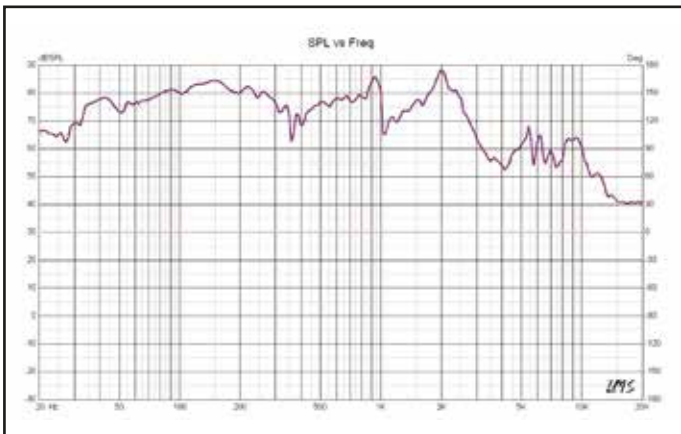
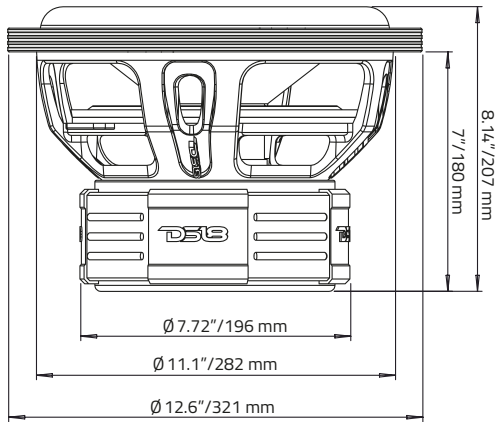
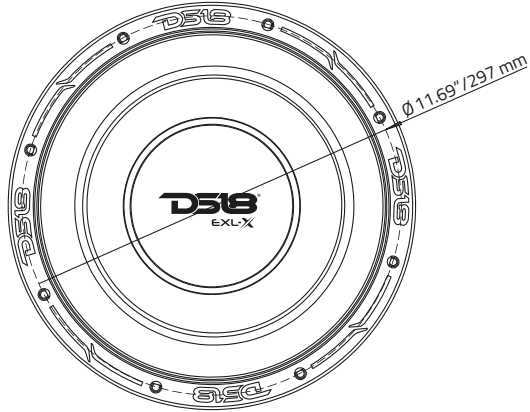
EXL-X12.4D

12" SUBWOOFER

4+4Ω



DS18®



EXL-X12.4D

SPECIFICATIONS

Nominal Diameter	12" / 304.8 mm
Nominal Impedance	4+4 OHMS
RMS Power Handling.....	1250 Watts
MAX Power Handling.....	2500 Watts
Sensitivity (1w/1m)	88 dB
Frequency Response	30Hz-1.7KHz
Recommended Lo Pass Crossover	100 Hz

MOTOR:

Voice Coil Diameter.....	2.57" / 65.2 mm
Voice Coil Former Material	Black Aluminum
Winding Material.....	SV
Cone Material.....	Non Pressed Paper + Glass Fiber
Dust Cap Material.....	PPI
Surround Material	Foam
Basket Material	Aluminum
Basket Color	Glossy Red
Magnet Material.....	Ferrite
Magnet Weight.....	2 x 105 Oz
Displacement Volume	3L / 0.105 ft3

THIELE & SMALL PARAMETERS

Equivalent Volume	Vas	9.1L / 0.32 ft3
Excursion (one way).....	Xmax	30 mm
Free Air Resonance	Fs	56 Hz
Mechanical Factor	Qms	3.305
Electrical Factor.....	Qes	0.482
Total Factor	Qts.....	0.431



THIELE & SMALL PARAMETERS

Moving Mass	Mms	307.124 g
Compliance.....	Cms	0.025 mm/N
Bl Factor.....	Bl	20.105
Voice Coil Inductance.....	Le	10.3mH
Diaphragm Area.....	Sd	490.87cm ²
DC Resistance	Re	3.7+3.7 OHM
Efficiency Bandwidth Product.....	EBP.....	116.1

RECOMMENDED ENCLOSURES :

Sealed Internal Volume	Not Recommended	
Ported Internal Volume	36L / 1.27ft ³	
Port Size *Square (WxHxLong).....	1.89"x12.28"x13.8" /	
Port Tuning Frequency.....	Fb..... 50 Hz	
Ported Box Output Response.....	F3	42 Hz

MEASUREMENT / MEDIDAS:

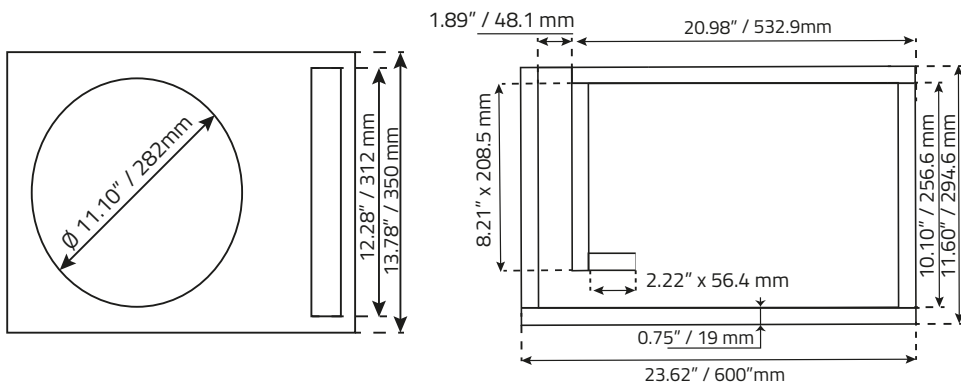
Overall Diameter	12.6" / 321 mm
Overall Depth.....	8.14" / 207 mm
Front Mount Baffle Cutout	11.1" / 282 mm
Mounting Depth	7" / 180 mm
Motor Diameter	7.72" / 196 mm

WE LIKE IT LOUD

IT IS NOT RECOMMENDED TO USE SEALED BOX

RECOMMENDED BOX DIMENSION

SINGLE SUBWOOFER PORTED BOX



PARAMETERS

Box External Dimensions

(WxHxD): 23.62" x 13.78 x 11.60" /
600 mm x 350 mm x 294.6 mm

Material Thickness: 0.75" / 19mm

Net Internal Volume: 1.27 ft³ / 36 L

Tuning Frequency: 50 Hz

Port Area: 23.25" / 150 CM²

Port Intel: 1.89" x 12.28" / 48.1 x 312 mm

Port Length: 13.82" / 351 mm

WOOD CUTS

Top - Bottom: 23.62" x 11.60" /
600 x 294.6 mm

Front: 20.98" x 12.28" / 532.9 x 312 mm

Rear: 23.62" x 12.28" / 600 x 312 mm

Left: 10.10" x 12.28" / 256.6 x 312 mm

Right: 10.85" x 12.28" / 275.6 x 312 mm

Port: 8.21" x 12.28" / 208.5 x 312 mm

Port: 2.22" x 12.28" / 56.4 x 312 mm

QTY

2

1

1

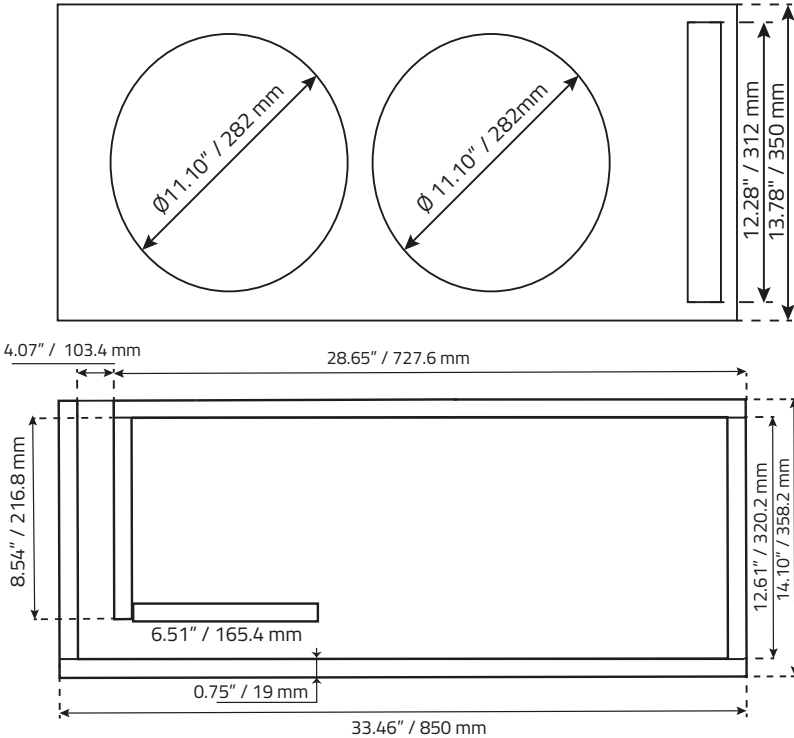
1

1

1

1

DOUBLE SUBWOOFER PORTED BOX



PARAMETERS

Box External Dimensions

(WxHxD): 33.46" x 13.78 x 14.10" /
850 mm x 350 mm x 358.2

Material Thickness: 0.75" / 19mm

Net Internal Volume: 2 ft3 / 56.6 L

Tuning Frequency: 48Hz

Port Area: 50 inch² / 322.6 CM²

Port Intel: 4.07" x 12.28" / 103.4 x 312 mm

Port Length: 20.61" / 523.6 mm

WOOD CUTS

Top - Bottom: 33.46" x 14.10" /
850 x 358.2 mm

Front: 28.65" x 12.28" / 727.6 x 312 mm

Rear: 33.46" x 12.28" / 850 x 312 mm

Left: 12.61" x 12.28" / 320.2 x 312 mm

Right: 13.35" x 12.28" / 339.2 x 312 mm

Port: 8.54" x 12.28" / 216.8 x 312 mm

Port: 6.51" x 12.28" / 165.4 x 312 mm

QTY

2

1

1

1

1

1

1

Learn more about car audio and electronics we have.