



EXL-X6.2D

6.5" SUBWOOFER

LARGE FOAM EDGE AND PAPER
WITH GLASS FIBER CONE

90 OZ HIGH STRENGTH

DOUBLE FERRITE MAGNET

RED COLOR ALUMINUM BASKET

2.0" BLACK ALUMINUM 4 LAYER VOICE COIL

FREQUENCY RESPONSE 40 - 820Hz

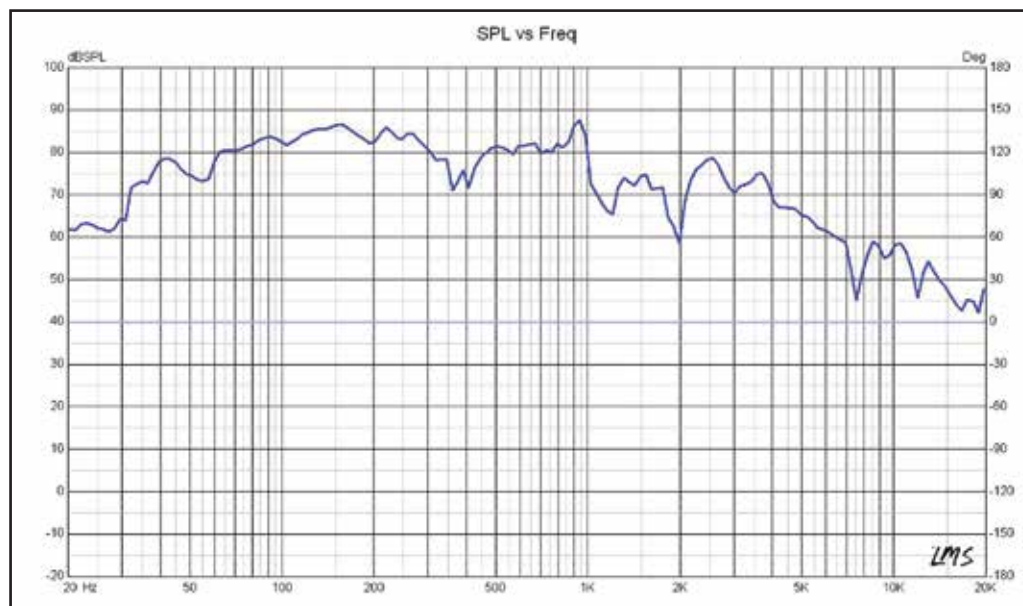
2 LAYER CONEX SPIDER

400 WATTS RMS POWER

800 WATTS MAX POWER

IMPEDANCE 2+2 OHMS

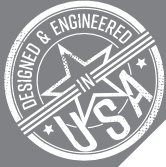
SENSITIVITY 89.8 dB



EXL-X6.2D

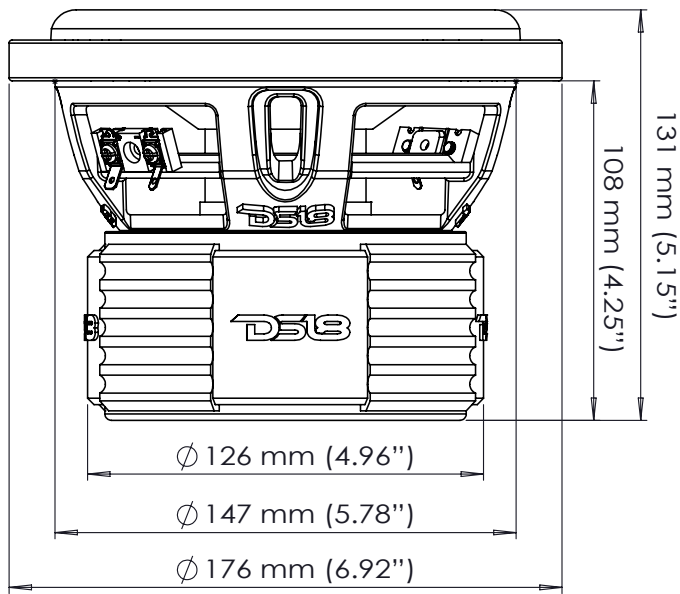
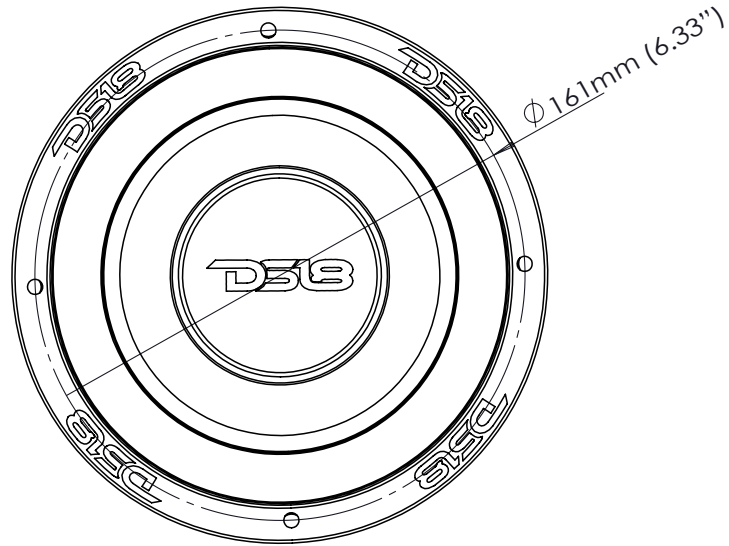
6.5" SUBWOOFER DUAL 2 OHMS

OWNER'S MANUAL



EXL-X6.2D

6.5" SUBWOOFER DUAL 2 OHMS



WE LIKE IT LOUD



Data Sheet

Specifications:

Nominal Diameter	6.5 inch
Nominal Impedance	2+2 ohms
RMS Power Handling	400W
Maximum Power Handling	800W
Sensitivity (1w/1m)	89.8dB
Frequency Response	40-820Hz
Recommended Lo Pass Crossover	90Hz
Voice Coil Diameter	50.8 mm (2.0inch)
Voice Coil Former Material	Black Aluminum
Winding Material	SV
Basket Material	Aluminum
Frame Material	Aluminum
Magnet Weight	Ferrite 90 OZ

Thiele & Small Parameters:

Equivalent Volume	Vas	2L
Excursion	X-max	20 mm
Free Air Resonance	Fs	76Hz
Mechanical Factor	Qms	6.416
Electrical Factor	Qes	1.242
Total Factor	Qts	0.925
Cone Area	Sd	132.73 cm ²
Mechanical Mass	Mms	78.638g
BI Factor	BI	16.097 N/A
Dc Resistance	Re	2.0+2.0 ohms
Inductance	Le	9.35mH
Mechanical Mass Without Air	Mmd	76.91g
Mechanical Compliance	Cms	0.036 mm/N

Measurements

Overall Diameter	176 mm (6.92 inch)
Front Mount Baffle Cutout	147 mm (5.78 inch)
Mounting Depth	108 mm (4.25 inch)
Overall Depth	131 mm (5.15 inch)

EXL-X6.2D 6.5" SUBWOOFER DUAL 2 OHMS