



## EXL-X6.2D

6.5" SUBWOOFER

LARGE FOAM EDGE AND PAPER  
WITH GLASS FIBER CONE

90 OZ HIGH STRENGTH

DOUBLE FERRITE MAGNET

RED COLOR ALUMINUM BASKET

2.0" BLACK ALUMINUM 4 LAYER VOICE COIL

FREQUENCY RESPONSE 40 - 820Hz

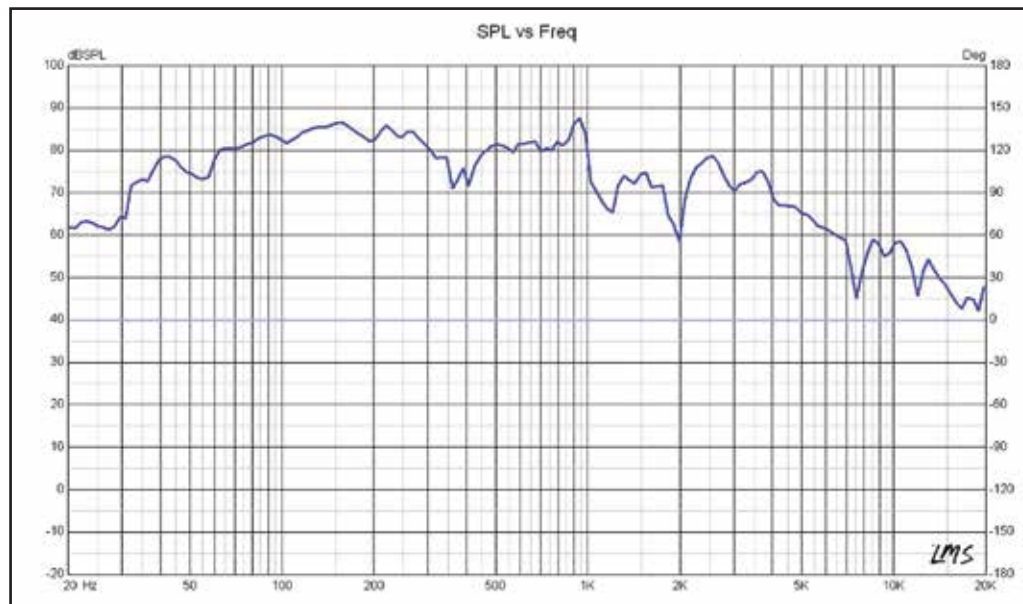
2 LAYER CONEX SPIDER

400 WATTS RMS POWER

800 WATTS MAX POWER

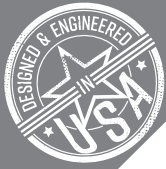
IMPEDANCE 2+2 OHMS

SENSITIVITY 89.8 dB



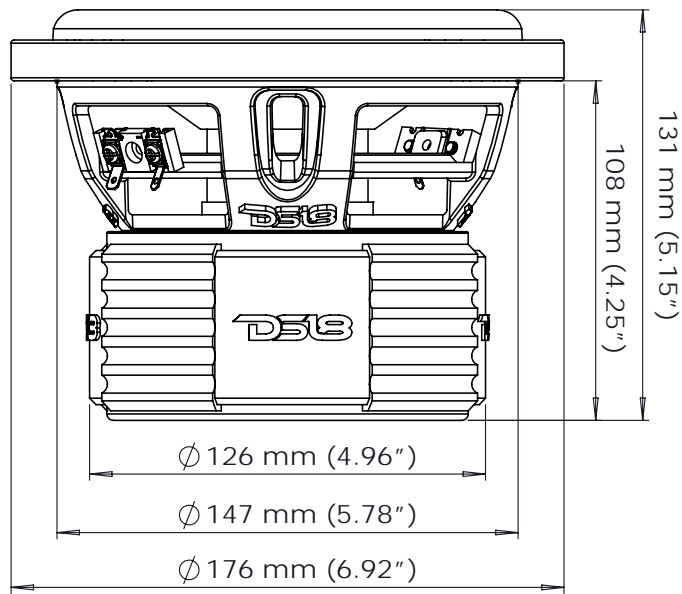
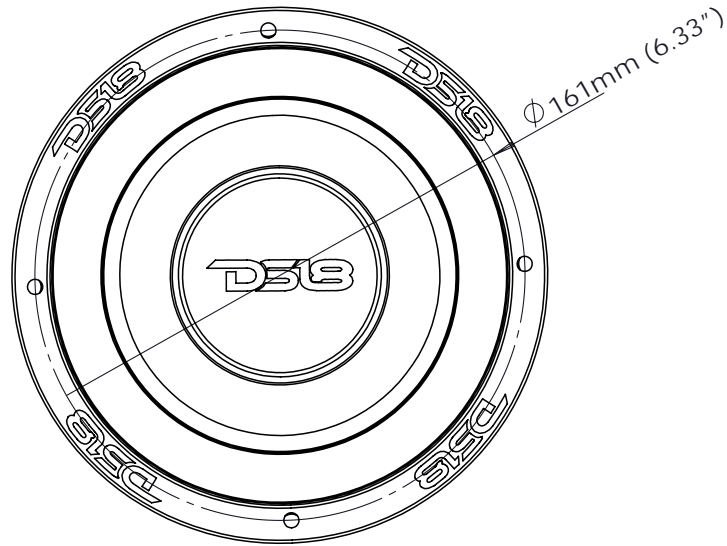
## EXL-X6.2D

6.5" SUBWOOFER DUAL 2 OHMS



# EXL-X6.2D

## 6.5" SUBWOOFER DUAL 2 OHMS



# WE LIKE IT LOUD



### Data Sheet

#### Specifications:

Nominal Diameter .....	6.5 inch
Nominal Impedance .....	2+2 ohms
RMS Power Handling .....	400W
Maximum Power Handling.....	800W
Sensitivity (1w/1m).....	89.8dB
Frequency Response .....	40-820Hz
Recommended Lo Pass Crossover.....	90Hz
Voice Coil Diameter.....	50.8 mm (2.0inch)
Voice Coil Former Material .....	Black Aluminum
Winding Material .....	SV
Basket Material .....	Aluminum
Frame Material .....	Aluminum
Magnet Weight.....	Ferrite 90 OZ

#### Thiele & Small Parameters:

Equivalent Volume	Vas .....	2L
Excursion	X-max.....	20 mm
Free Air Resonance	Fs.....	76Hz
Mechanical Factor	Qms .....	6.416
Electrical Factor	Qes .....	1.242
Total Factor	Qts.....	0.925
Cone Area	Sd .....	132.73 cm <sup>2</sup>
Mechanical Mass	Mms .....	78.638g
BI Factor	BI .....	16.097 N/A
Dc Resistance	Re .....	2.0+2.0 ohms
Inductance	Le.....	9.35mH
Mechanical Mass Without Air	Mmd .....	76.91g
Mechanical Compliance	Cms.....	0.036 mm/N

#### Measurements

Overall Diameter .....	176 mm (6.92 inch)
Front Mount Baffle Cutout .....	147 mm (5.78 inch)
Mounting Depth .....	108 mm (4.25 inch)
Overall Depth.....	131 mm (5.15 inch)

EXL-X6.2D 6.5" SUBWOOFER DUAL 2 OHMS