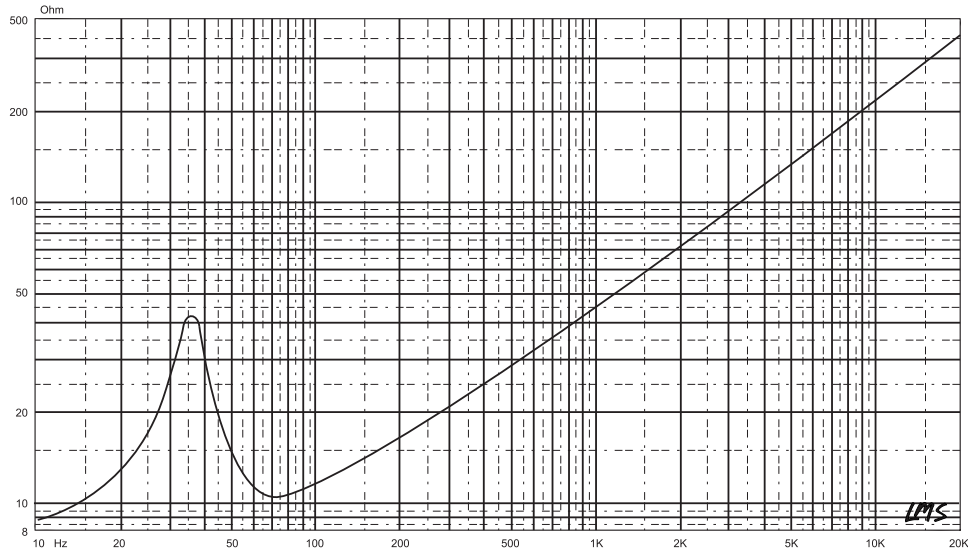




IXS12.4D 12" SHALLOW SUBWOOFER

Nominal Impedance: 4+4 ohm
MAX Power Handling: 1600 watts
RMS Power Handling: 800 watts
Sensitivity (1w/1m): 85.1 dB
Frequency Response 20 - 600 KHz
Voice Coil Diameter: 2.5" / 63.5 mm
Voice Coil Former Material: Aluminum
Winding Material: Copper
Basket Material: Aluminum
Magnet Weight: 62 Oz

Impedance vs Freq



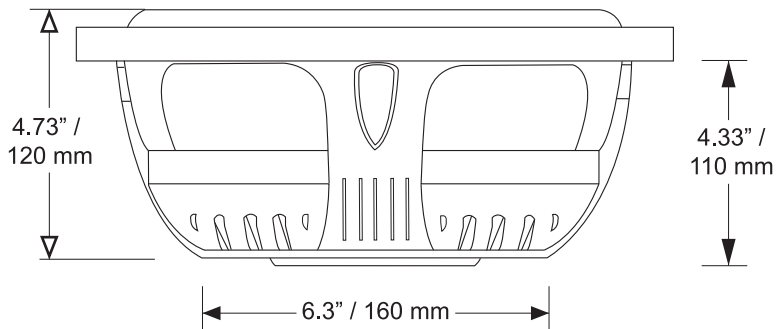
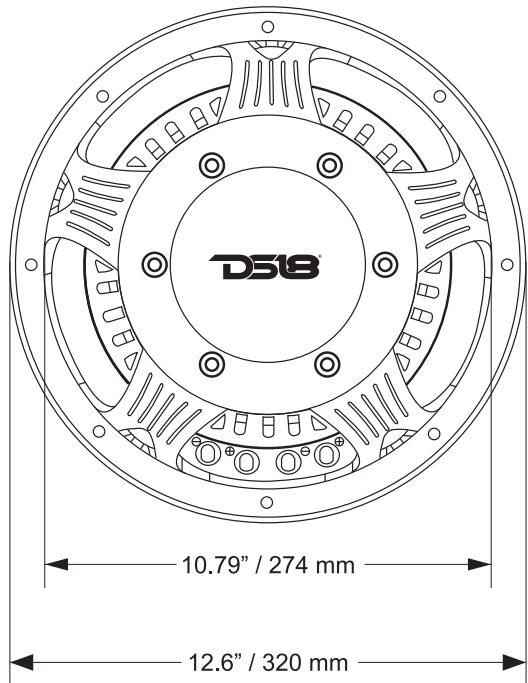
IXS12.4D 12" SHALLOW SUBWOOFER



**1600W MAX
800W RMS
2.5" VC**



IXS12.4D



IXS12.4D 12" SHALLOW SUBWOOFER

SPECIFICATIONS

Nominal Diameter 12"
 Nominal Impedance4+4 OHMS
 MAX Power Handling 1600W
 RMS Power Handling 800W
 Sensitivity (1w/1m) 85.1 dB
 Frequency Response20 - 600KHz
 Recommended Lo Pass Crossover..... 80 Hz

MOTOR

Voice Coil Diameter..... 2.5"
 Voice Coil Former MaterialAluminum
 Winding MaterialCopper
 Cone Material Paper
 Dust Cap Material..... Fiberglass
 Surround Material.....Stitched Rubber
 Basket MaterialAluminum
 Magnet Material..... Ferrite
 Magnet Weight 62 Oz
 Displacement Volume0.93L

THIELE & SMALL PARAMETERS

Equivalent Volume Vas..... 37.345
 Excursion (one way)..... Xmax..... 10.3 mm
 Free Air Resonance Fs35 Hz
 Mechanical Factor Qms 4.034
 Electrical Factor..... Qes..... 0.861
 Total Factor Qts..... 0.71
 Dc Resistance Re..... 7.2 OHMS
 Force Factor Bl 18.75
 Moving Mass Mms 184.02
 Compliance Cms.....104 mm/N
 Voice Coil Inductance Le7.07 MH
 Diaphragm Area Sd..... 502.73 cm²
 Efficiency Bandwidth Product..... EBP 42.24

MEASUREMENT

Overall Diameter 12.6\"/>