

DS18[®]

PRO

OWNER'S MANUAL



PANCADÃO[®]
3000W MAX

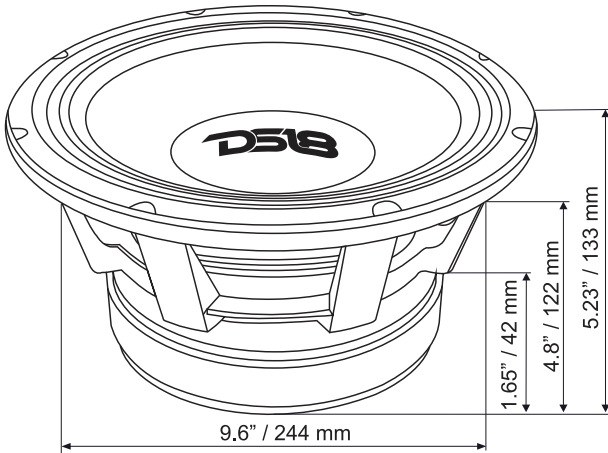
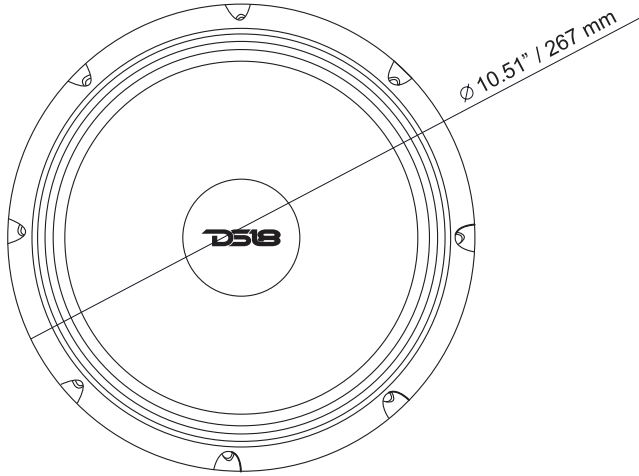
PRO-1.5KP10.8

10" MID BASS
8 OHMS

DS18[®]
PRO

PRO-1.5KP10.8
10" MID BASS

PANCADÃO[®]



PRO-1.5KP10.8 10" MID BASS



SPECIFICATIONS:

Nominal Diameter	10"
Nominal Impedance8 ohms
RMS Power Handling	1500 W
MAX Power Handling	3000 W
Sensitivity (1w/1m)	94 dB
Frequency Response	80Hz-10kHz
Recommended Hi Pass Crossover	80 Hz

MOTOR

Voice Coil Diameter.....	3"
Voice Coil Former Material	Fiber Glass
Winding Material	CCAW
Cone Material	Paper
Dust Cap Material.....	Paper
Surround Material.....	Ferrite
Basket Material	Aluminum
Magnet Material.....	Ferrite
Magnet Weight	91 Oz

THIELE & SMALL PARAMETERS

Equivalent Volume.....	Vas	13.162 L
Free Air Resonance	Fs	81 Hz
Mechanical Factor.....	Qms	8.08
Electrical Factor.....	Qes	0.473
Total Factor.....	Qts	0.447
Dc Resistance	Re	5.6 OHMS
Force Factor	Bl	17.872
Moving Mass	Mms	51.09
Compliance	Cms.....	70.323 mm/N
Voice Coil Inductance	Le	1.202MH
Diaphragm Area	Sd.....	363.05 cm2
Efficiency Bandwidth Product.....	EBP.....	171.2

MEASUREMENTS

Overall Diameter	10.51" / 267 mm
Overall Depth	5.23" / 133 mm
Front Mount Baffle Cutout	9.6" / 244 mm
Mounting Depth	4.8" / 122 mm
Motor Diameter.....	7.87" / 200 mm



PRO-1.5KP10.8

10" MID BASS

Nominal Impedance: 8 ohms

RMS Power Handling: 1500 Watts

MAX Power Handling: 3000 Watts

Sensitivity (1w/1m): 94 dB

Frequency Response 80 Hz - 10 kHz

Voice Coil Diameter: 3"

Basket Material: Aluminum

Magnet Weight: 91 Oz

SPL vs Freq

