

DS18[®]

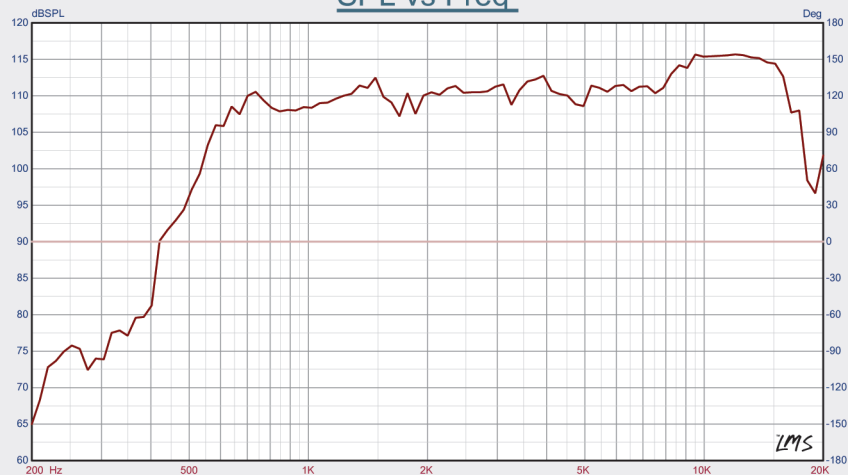
PRO

PRO-D1

TITANIUM COMPRESSION DRIVER

- Peak Power Handling: 640 Watts
- Program Power Handling: 320 Watts
- AES Rated Power: 160 Watts
- Sensitivity (1w/1m): 100dB
- Frequency Response: 630Hz-20KHz
- Nominal Impedance: 8 ohm
- Throat Diameter: 2"
- Recommended Hi Pass Crossover: 800Hz
- Voice Coil Diameter: 2.03"
- Diaphragm Material: Titanium
- Magnet Material: Ferrite
- Magnet Weight: 35 oz
- Bolt Type: Bolt-on

SPL vs Freq



DS18[®]

PRO

PRO-D1

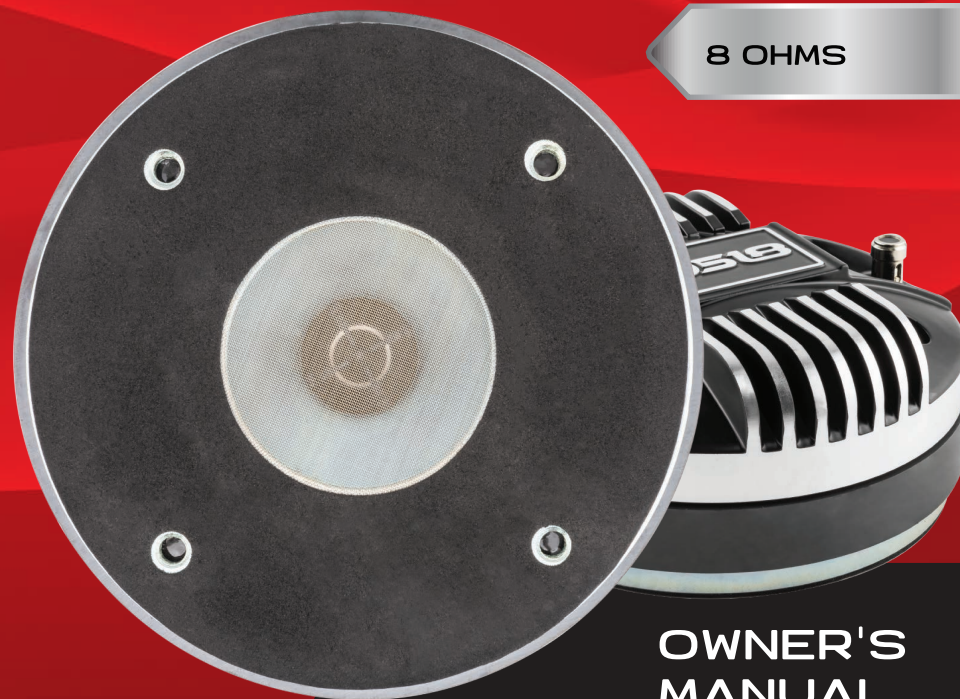
2.03" VC

TITANIUM COMPRESSION DRIVER

640W
Peak Power

320W
Program Power

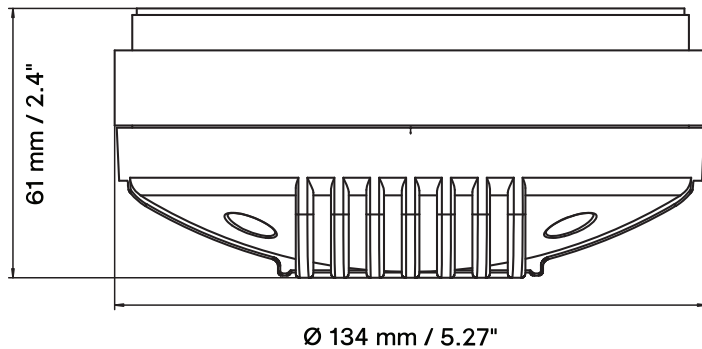
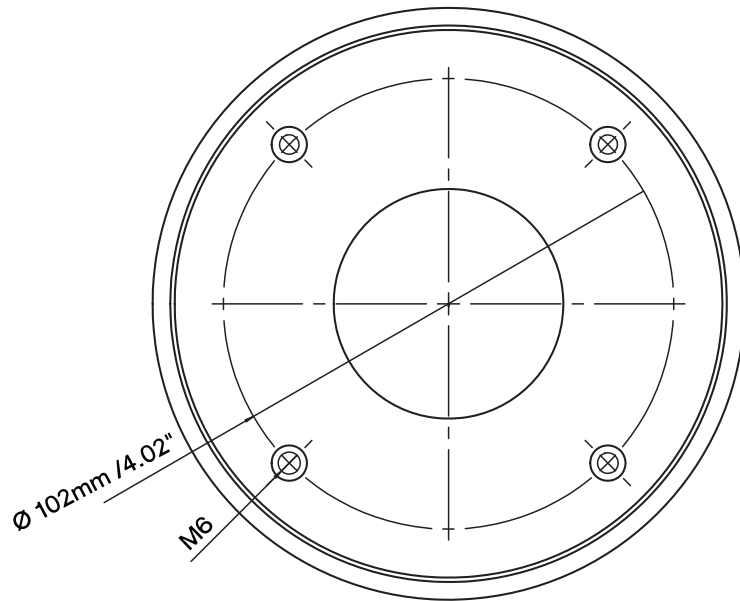
8 OHMS



OWNER'S
MANUAL

PRO-ID1

TITANIUM COMPRESSION DRIVER



Data Sheet

2.03" VOICE COIL TITANIUM COMPRESSION DRIVER

Throat Diameter	2" / 50 mm
Installation Type	Bolt-on
Nominal Impedance	8 ohms
Peak Power Handling	640W
Program Power Handling	320W
AES Power	160W
Sensitivity (1w/1m)	100 dB
Frequency Response	630Hz-20KHz
Recommended Hi Pass Crossover	800 Hz

Motor:

Voice Coil Diameter	2.03"
Voice Coil Former Material	Kapton
Winding Material	CCA
Diaphragm Material	Titanium
Magnet Material	Ferrite
Magnet Weight	35 oz

Measurements:

Overall Diameter	5.27"/134 mm
Overall Depth	2.4"/61 mm

Shipping Info:

Gross Single Unit Weight	2.75 Kg
Single Unit Box Dimensions W x L x H	145x140x75 (mm)
Quantity of Units in Master Carton	6 pcs
Gross Master Carton Weight	15.5 Kg
Master Carton Dimensions W x L x H	450x320x900 (mm)

PRO-ID1