



PRO-DKN25

Throat Diameter: 1" (25.4 mm)

Nominal Impedance: 8Ω

RMS Power Handling: 60 Watts

MAX Power Handling: 120 Watts

Sensitivity (1W/1M): 108 dB

Frequency Range: 1.5 KHz-18 KHz

Diaphragm Material: Phenolic

Voice Coil Diameter: 1" (25.4 mm)

Voice Coil Material: Aluminum

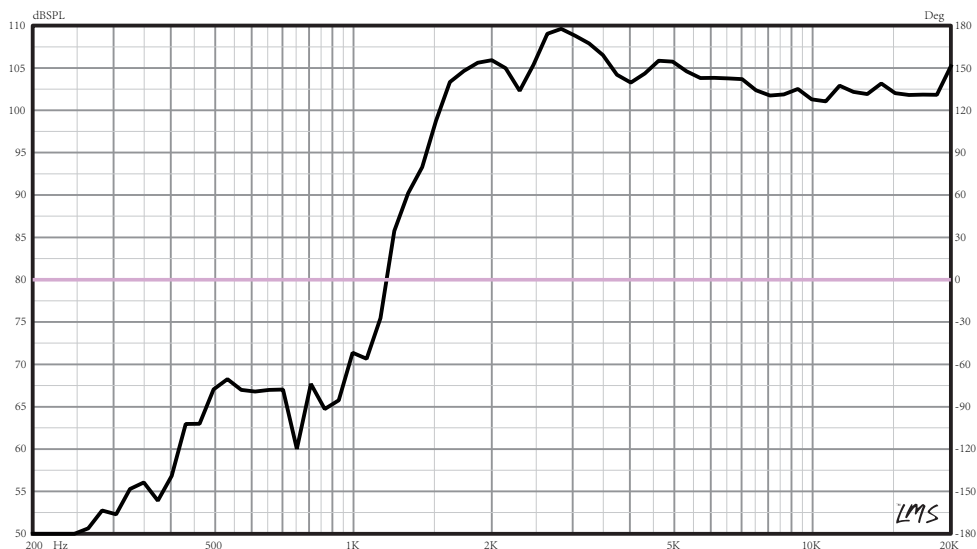
Magnet Material: Neodymium



PRO-DKN25

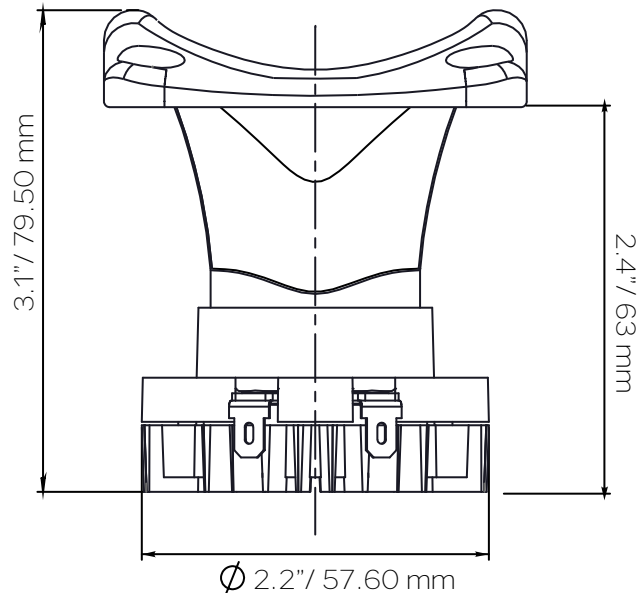
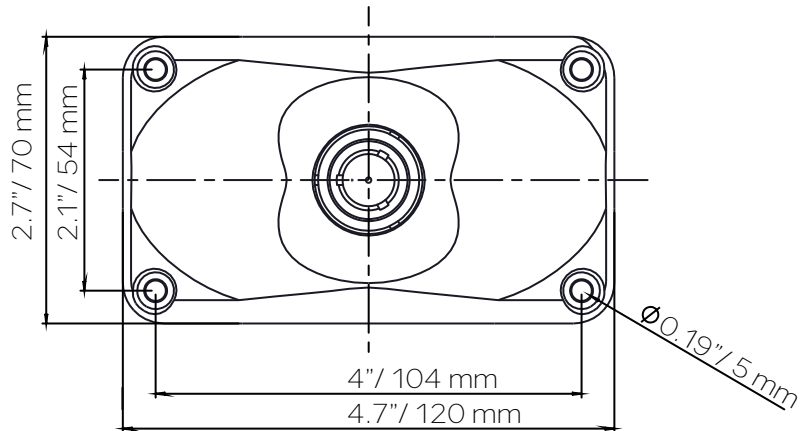
1" **SUPER DRIVER** WITH HORN

SPL vs Freq



PRO-DKN25

1" SUPER DRIVER WITH HORN



PRO-DKN25 1" SUPER DRIVER WITH HORN

Data Sheet

Specifications

Nominal Impedance.....	8 ohms
RMS Power Handling.....	60 Watts
MAX Power Handling	120 Watts
Sensitivity (1w/1m).....	108 dB
Frequency Response	1.5 K-18 KHz
Recommended Hi Pass Crossover	2 KHz
Voice Coil Diameter	1" (25.4 mm)
Winding Material	CCAW
Diaphragm Material	Phenolic
Frame Material	ABS
Basket Material.....	ABS
Magnet Material.....	Neodymium

Measurements

Overall Depth	3.12" (79.5 mm)
Mounting Depth	2.48" (63 mm)
Overall Width	4.72" x 2.75" (120 x 70 mm)
Cutout Diameter	2.95" x 1.85" (75 x 47 mm)

Shipping Info

Gross Single Unit Weight.....	0.19 Kg
Single Unit Box Dimensions W x L x H	12.5 x 7.44 x 8.6 cm
Quantity of Units in Master Carton	30 PCS / CTN
Gross Master Carton Weight	7.5 Kg
Master Carton Dimensions W x L x H	37.5 x 25 x 26 cm