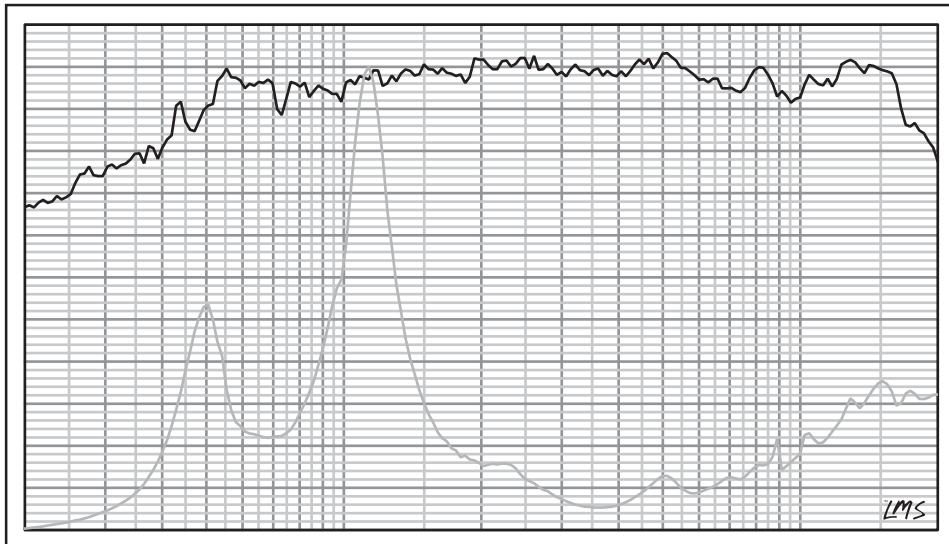




PRO-IDR1.75

Titanium Compression Driver
Throat Diameter: 1"
RMS Power Handling: 300 Watts
MAX Power Handling: 600 Watts
Frequency Response: 500Hz-20KHz
Voice Coil Diameter: 1.75"
Diaphragm Material: Titanium
Nominal Impedance: 8 ohms
Sensitivity (1W/1M): 107dB
Magnet Weight: 24 oz
Magnet Material: Ferrite
Depth: 2.76"/ 70 mm
Bolt Type: Screw Down

SPL vs Freq



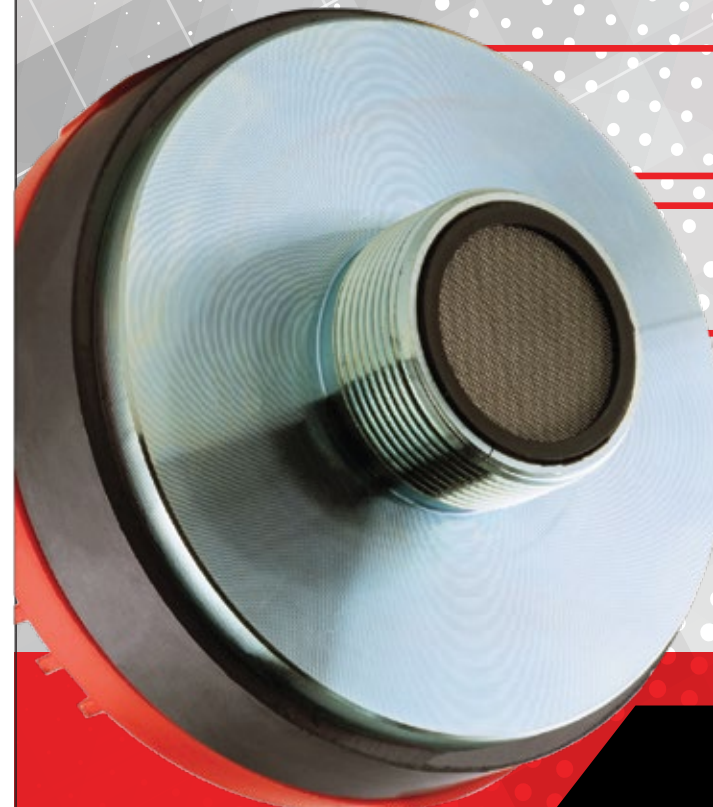
PRO-IDR1.75

1.75" VC
COMPRESSION
DRIVER

600W MAX

300W RMS

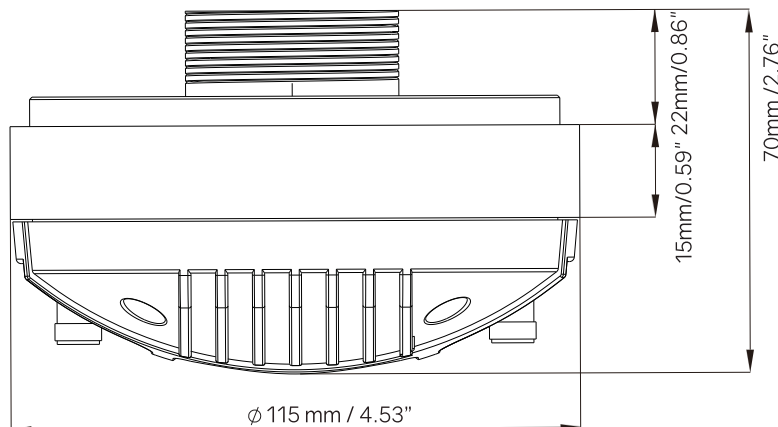
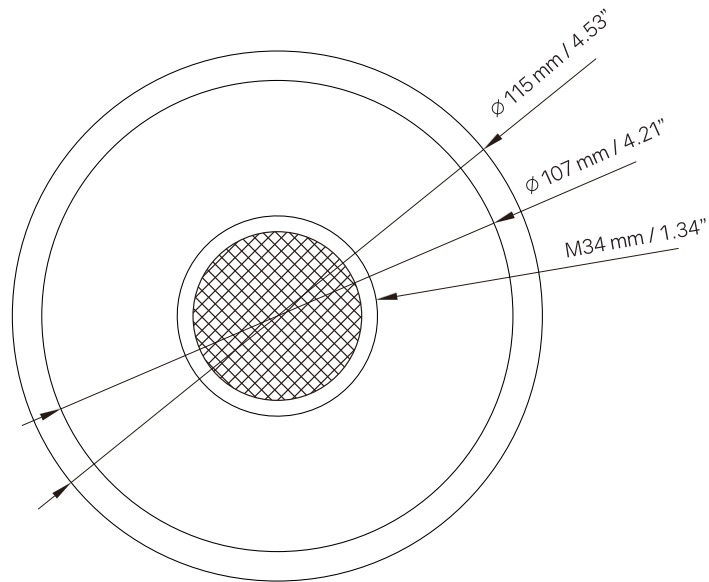
8 OHMS



PRO-DR1.75

TITANIUM COMPRESSION DRIVER

Data Sheet



PRO-DR1.75 1.75" VOICE COIL TITANIUM COMPRESSION DRIVER

Specifications

Nominal Impedance	8 ohms
Throat Diameter	1"
RMS Power Handling	300 Watts
MAX Power Handling	600 Watts
Sensitivity (1w/1m)	107dB
Frequency Response	500Hz-20KHz
Recommended Hi Pass Crossover	800 Hz
Voice Coil Diameter	1.75"
Diaphragm Material	Titanium
Magnet Material	Ferrite
Magnet Weight	24oz
Bolt Type	Screw Down

Measurements

Overall Diameter	4.53" (115 mm)
Overall Depth	2.76" (70 mm)

Shipping Info

Gross Single Unit Weight	
Single Unit Box Dimensions W x L x H	
Quantity of Units in Master Carton	
Gross Master Carton Weight	
Master Carton Dimensions W x L x H	

