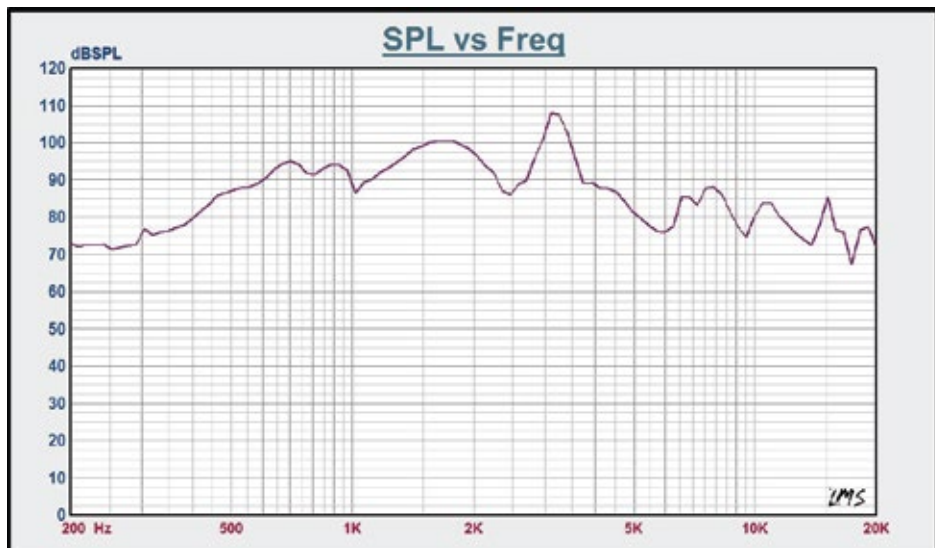




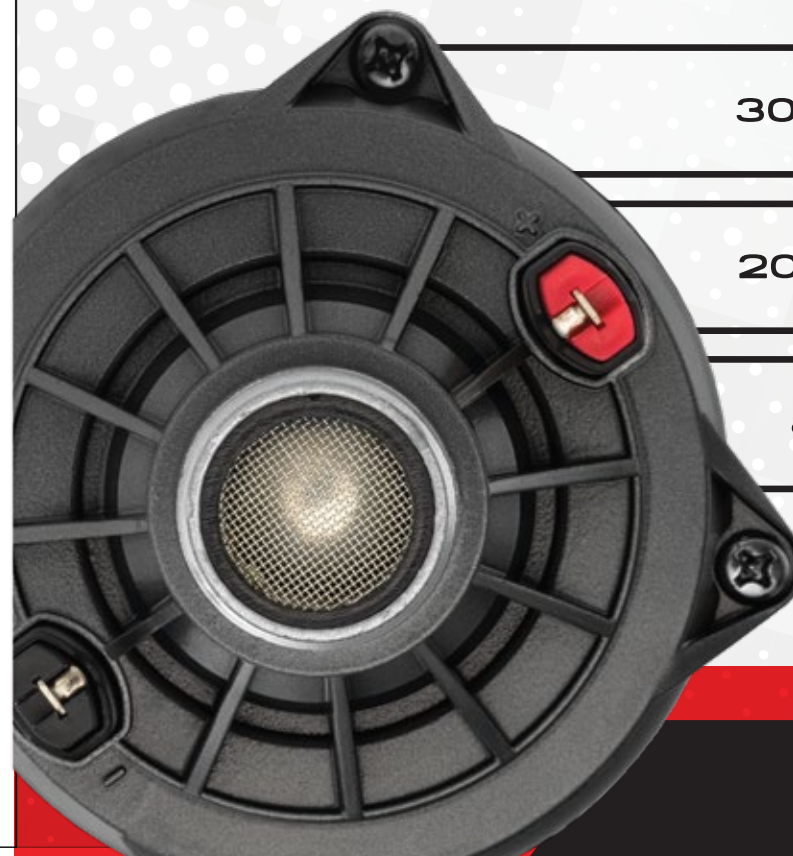
# PRO-DR250TI

Titanium Diaphragm  
Black Die-Cast Aluminum Body  
Throat Diameter: 1"  
RMS Power Handling: 200 Watts  
MAX Power Handling: 300 Watts  
Frequency Response: 600Hz-13KHz  
Voice Coil Diameter: 2"  
Diaphragm Material: Titanium  
Nominal Impedance: 8 ohms  
Sensitivity (1W/1M): 96dB  
Magnet Weight: 10.5 oz  
Magnet Material: Ferrite  
Bolt Type: Screw Down



# PRO-DR250TI

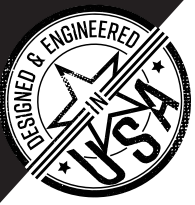
2" VC TITANIUM DRIVER 8 OHM



300W MAX

200W RMS

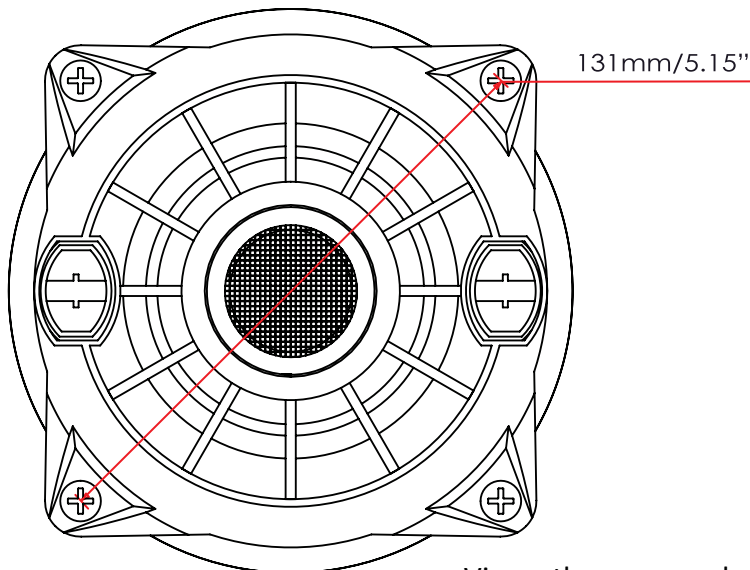
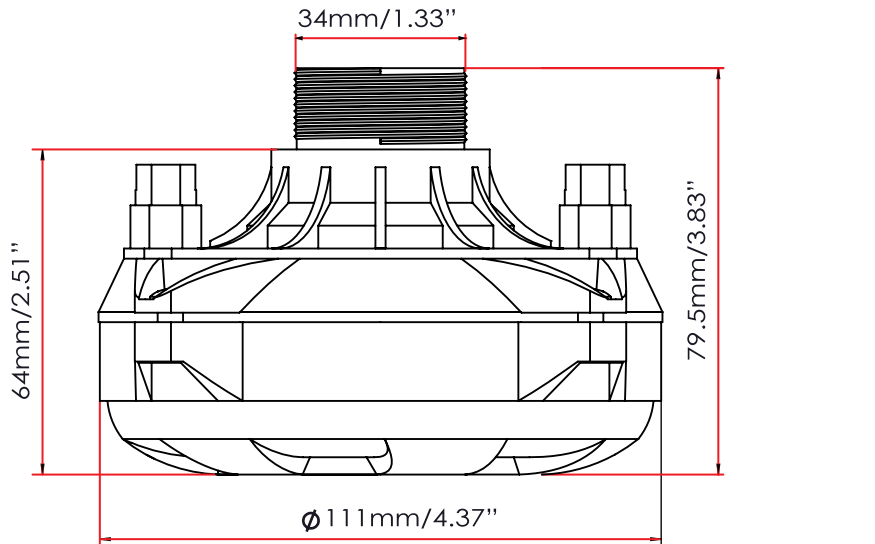
8 OHMS



# PRO-DR250TI

2" VC TITANIUM DRIVER 8 OHM

## Data Sheet



**PRO-DR250TI**  
2" VC TITANIUM DRIVER 8 OHM

### Specifications

Nominal Impedance .....	8 ohms
Throat Diameter .....	1"
RMS Power Handling .....	200 Watts
MAX Power Handling .....	300 Watts
Sensitivity (1w/1m) .....	96 dB
Frequency Response .....	600Hz-13KHz
Recommended Hi Pass Crossover .....	800 Hz
Voice Coil Diameter .....	2"
Voice Coil Former Material .....	KSV
Diaphragm Material .....	Titanium
Magnet Material .....	Ferrite
Magnet Weight .....	10.5 oz
Bolt Type .....	Screw Down

### Measurements

Overall Diameter .....	111mm / 4.37"
Overall Depth .....	79.5mm / 3.83"
Mounting Depth .....	64 mm / 2.51"

### Shipping Info

Gross Single Unit Weight .....	
Single Unit Box Dimensions W x L x H .....	
Quantity of Units in Master Carton .....	
Gross Master Carton Weight .....	
Master Carton Dimensions W x L x H .....	

View [other car speakers](#) made by DS18 on our website.

