

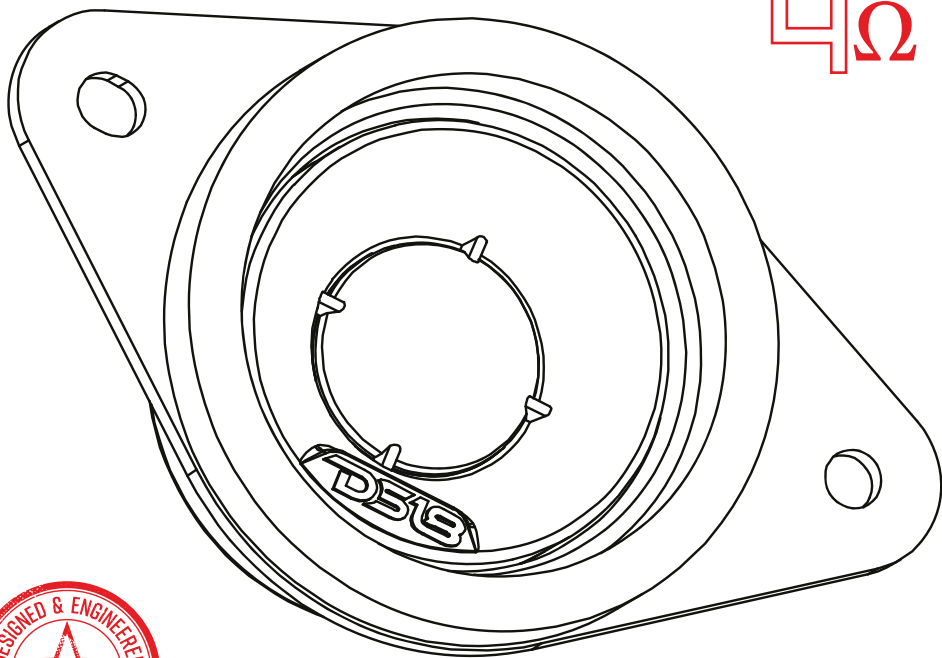
# DS18<sup>®</sup>

OWNER'S MANUAL

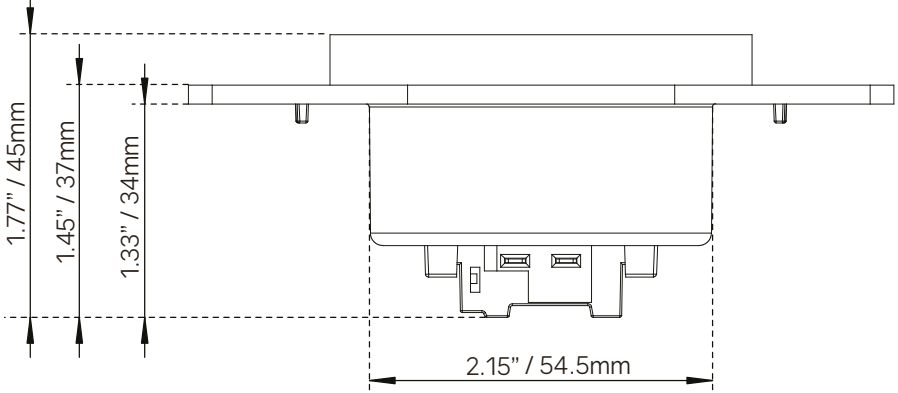
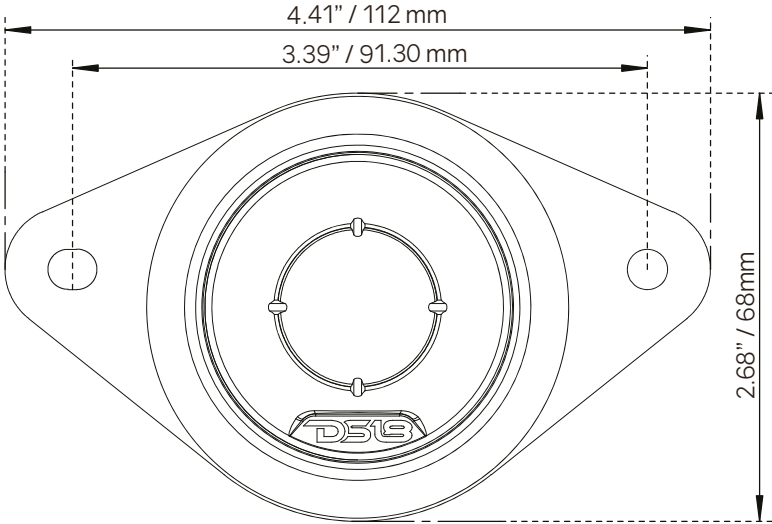
## PRO-ST

REPLACEMENT UPGRADE BULLET  
COMPRESSION TWEETER FOR OEM  
SUBARU / TOYOTA SELECTED MODELS

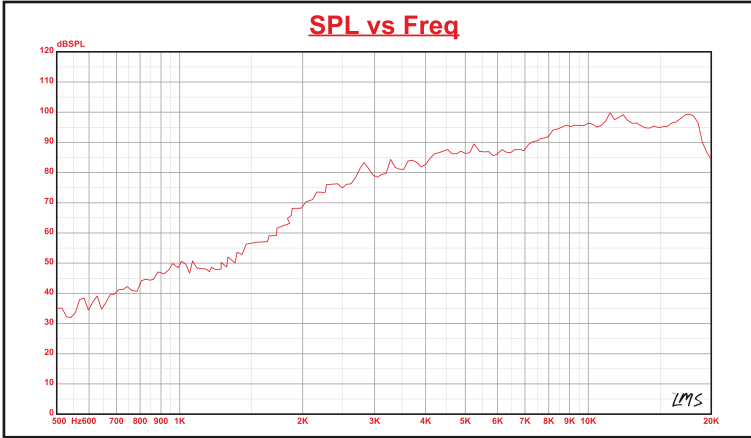
4Ω



**PRO-ST**



*WE LIKE IT LOUD*



**SPECIFICATIONS:**

Nominal Diameter .....	1"
Nominal Impedance .....	4 ohm
AES Power Handling .....	50 W
Program Power Handling .....	100 W
Peak Power Handling.....	200 W
Sensitivity (1w/1m).....	98 dB
Frequency Response.....	1KHz- 20KHz
Recommended Hi Pass Crossover .....	4 KHz
Pair or Single .....	Pair

**MOTOR**

Voice Coil Diameter.....	1" / 25.4 mm
VC Former Material .....	Kapton
Winding Material .....	CCAW
Diaphragm Material .....	PEN
Magnet Material.....	Neodymium
Magnet Weight.....	0.57 oz
Body Material.....	PC

**MEASUREMENTS:**

Overall Diameter.....	4.41x2.68" / 112X68 mm
Overall Depth.....	1.77" / 45 mm
Front Mount Baffle Cutout .....	2.15" / 54.5 mm
Mounting Depth .....	1.33" / 34mm