

# DS18<sup>®</sup>

PRO

## PRO-TW1L

---

### OWNER'S MANUAL

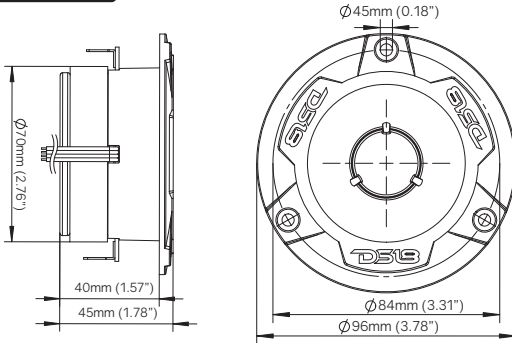
4 OHMS

400W MAX

200W RMS

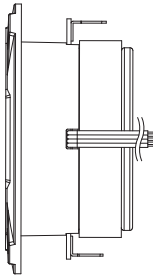


## DIMENSIONS

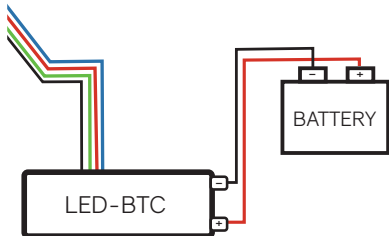


## INSTALLATION & CONNECTION OPTIONS:

1



- Blue LED (-)
- Red LED (-)
- Green LED (-)
- 12V DC (+)



- ② To connect without LED Control Module (LED-BTC),  
Connect as Shown in the Following Diagram:

Black wire "BK" Connected to Battery Positive (+) 12V

White Color Light "R" ; "B" and "G" Connected to Battery Negative (-)

Green Color Light "G" Connected to Battery Negative (-)

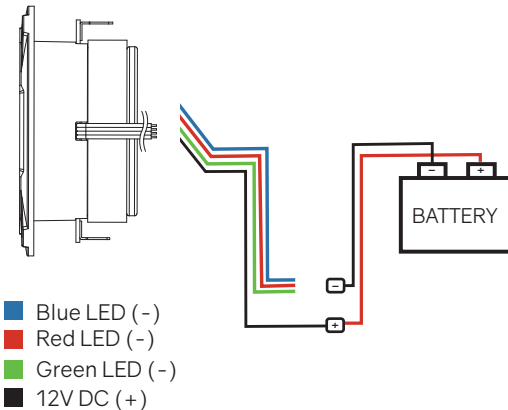
Red Color Light "R" Connected to Battery Negative (-)

Blue Color Light "B" Connected to Battery Negative (-)

Purple Color Light "R" and "B" Connected to Battery Negative (-)

Yellow Color Light "R" and "G" Connected to Battery Negative (-)

Cyan Color Light "B" and "G" Connected to Battery Negative (-)





- ALUMINIUM SUPER BULLET TWEETER
- TRANSPARENT POLYCARBONATE BODY AND BULLET
- FREQUENCY RESPONSE 3.5KHz-20KHz
- SURFACE RING BRUSHED SILVER FILM HOT STAMP
- CAPACITOR CROSSOVER INCLUDED
- 1" HIGH TEMPERATURE KAPTON VOICE COIL
- ZINC PLATED TOP AND BACK PLATE
- 8 OZ Y30 FERRITE MAGNET
- 200 WATTS RMS POWER
- 400 WATTS MAX POWER
- IMPEDANCE 4 OHMS
- SENSITIVITY 103 dB
- RGB LED BUILT IN BODY
- 1 METER RGB LED INPUT WIRE
- BT CONTROL MODULE APP (LED-BTC) FOR MULTI-FUNCTION FOR RGB LED LIGHTING SOLD SEPARATELY

