

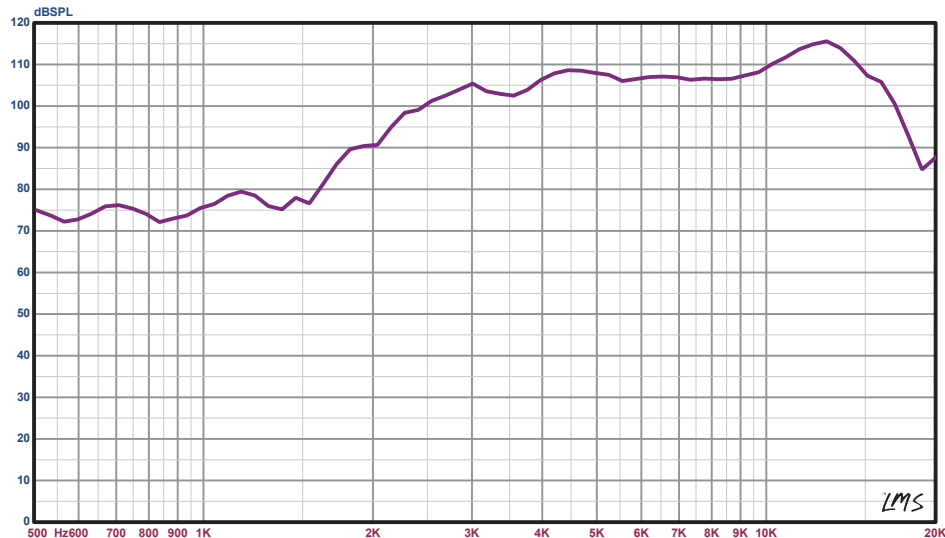


PRO

PRO-TW4.L

- 1.75" TITANIUM SUPER BULLET TWEETER
- TRANSPARENT POLYCARBONATE BODY AND BULLET
- RGB LED BUILT IN BODY
- 1 METER RGB LED INPUT WIRE
- 16 OZ Y35 FERRITE MAGNET
- CHROME PLATED TOP AND BACK PLATE
- CHROME PLATED COSMETIC RING
- 1.75" HIGH TEMPERATURE KAPTON VOICE COIL
- 300 WATTS RMS POWER
- 600 WATTS MAX POWER
- IMPEDANCE 4 OHMS
- SENSITIVITY 108 dB
- FREQUENCY RESPONSE 1.5KHz - 20KHz
- CAPACITOR CROSSOVER INCLUDED
- 304 STAINLESS SCREW INCLUDED

SPL vs. FREQ



PRO

PRO-TW4.L

1.75" **TITANIUM** SUPER BULLET TWEETER

OWNER'S MANUAL

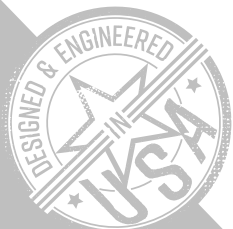
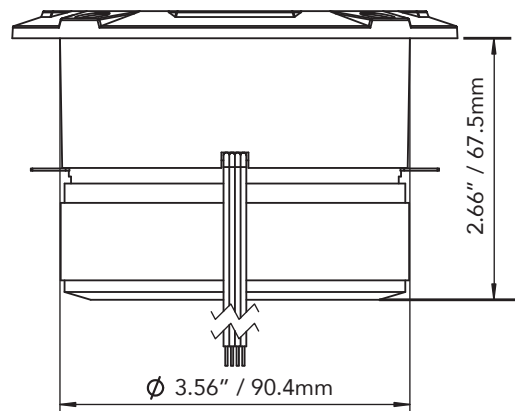
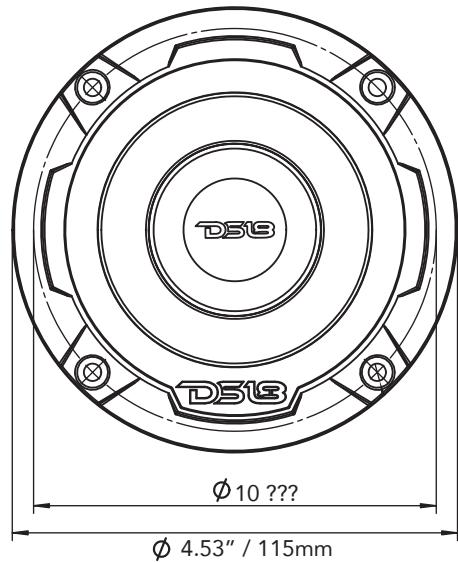


PRO-TW4-L



PRO

1.75" TITANIUM SUPER BULLET TWEETER



Data Sheet

PRO-TW4-L 1.75" TITANIUM SUPER BULLET TWEETER

Specifications

Nominal Diameter	115mm
Nominal Impedance	4 Ohms
RMS Power Handling	300 Watts
Maximum Power Handling	600 Watts
Sensitivity (1w/1m)	108dB
Frequency Response	1.5 KHz - 20 KHz
Recommended Hi Pass Crossover	3000 Hz
Voice Coil Diameter	44.4mm (1.75")
Voice Coil Former Material	Titanium
Winding Material	CCAW
Frame Material	Transparent Polycarbonate
Magnet Weight	Ferrite 16 Oz

Measurements

Overall Diameter	115mm (4.53")
Front Mount Baffle Cutout	90.4mm (3.56")
Mounting Depth	67.5mm (2.66")
Overall Depth	72.5mm (2.85")
Net Weight	1.25 Kg

Shipping Info

Gross Single Unit Weight	2 Kg
Single Unit Box Dimensions W x L x H	20.8 x 20.8 x 23.4 cm
Quantity of Units in Master Carton	18 Pieces
Gross Master Carton Weight	24.5 Kg
Master Carton Dimensions W x L x H	42.5 x 40 x 20 cm