

D518[®]

PRO

PRO-TW51L

OWNER'S MANUAL

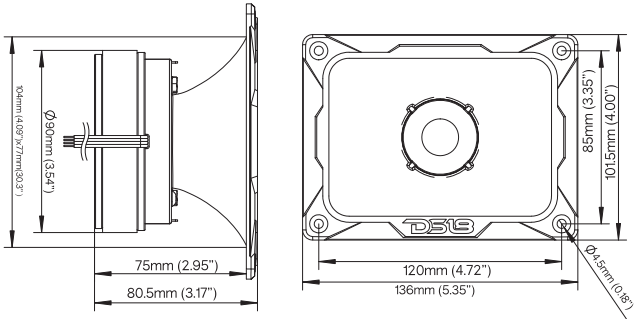
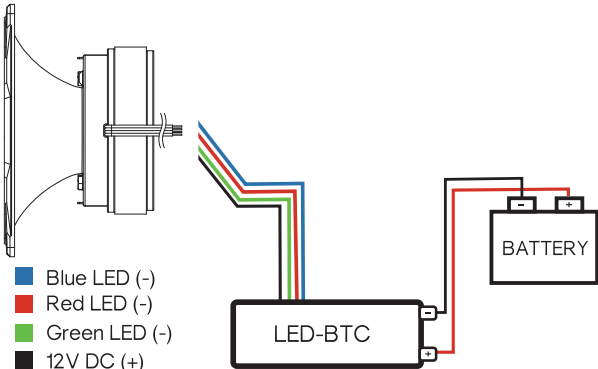


4 OHMS

500W MAX

250W RMS



DIMENSIONS**INSTALLATION & CONNECTION OPTIONS:****1**

- ② To connect without LED Control Module (LED-BTC), Connect as Shown in the Following Diagram:

Black wire "BK" Connected to Battery Positive (+) 12V

White Color Light "R" ; "B" and "G" Connected to Battery Negative (-)

Green Color Light "G" Connected to Battery Negative (-)

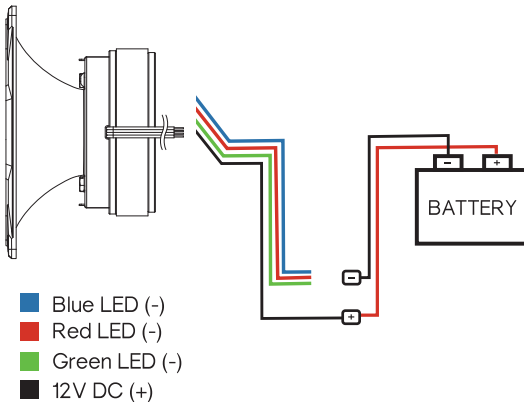
Red Color Light "R" Connected to Battery Negative(-)

Blue Color Light "B" Connected to Battery Negative (-)

Purple Color Light "R" and "B" Connected to Battery Negative(-)

Yellow Color Light "R" and "G" Connected to Battery Negative (-)

Cyan Color Light "B" and "G" Connected to Battery Negative (-)





PRO-TW5L  

OWNER'S MANUAL

- ALUMINUM SUPER BULLET TWEETER
- TRANSPARENT POLYCARBONATE BODY AND BULLET
- RGB LED BUILT IN BODY
- SURFACE RING BRUSHED SILVER FILM HOT STAMP
- 1 METER RGB LED INPUT WIRE
- 14 OZ Y30 FERRITE MAGNET
- ZINC PLATED TOP AND BACK PLATE
- 1.5" HIGH TEMPERATURE KAPTON VOICE COIL
- 250 WATTS RMS POWER
- 500 WATTS MAX POWER
- IMPEDANCE 4 OHMS
- SENSITIVITY 107 dB
- FREQUENCY RESPONSE 3KHz-20KHz
- CAPACITOR CROSSOVER INCLUDED
- BT CONTROL MODULE APP (LED-BTC) FOR MULTI-FUNCTION FOR RGB LED LIGHTING SOLD SEPARATELY

Buy quality car speakers in our online store.