

DS18[®]

PRO

PRO-TW7L

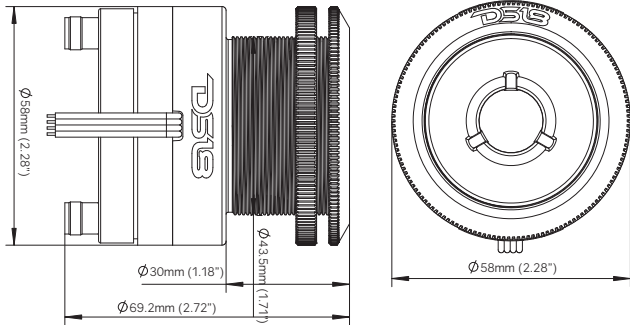
OWNER'S MANUAL

4 OHMS

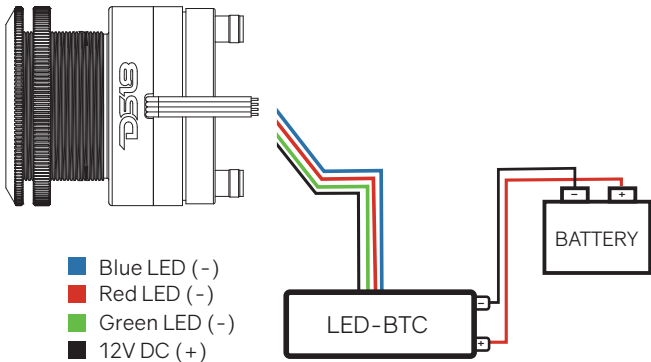
200W MAX

100W RMS



DIMENSIONS**INSTALLATION & CONNECTION OPTIONS:**

1



- ② To connect without LED Control Module (LED-BTC),
Connect as Shown in the Following Diagram:

Black wire "BK" Connected to Battery Positive (+) 12V

White Color Light "R" ; "B" and "G" Connected to Battery Negative (-)

Green Color Light "G" Connected to Battery Negative (-)

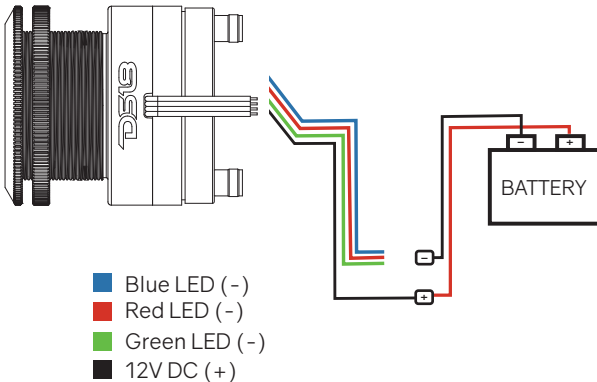
Red Color Light "R" Connected to Battery Negative (-)

Blue Color Light "B" Connected to Battery Negative (-)

Purple Color Light "R" and "B" Connected to Battery Negative (-)

Yellow Color Light "R" and "G" Connected to Battery Negative (-)

Cyan Color Light "B" and "G" Connected to Battery Negative (-)





PRO-TW7L



OWNER'S MANUAL

- ALUMINUM SUPER BULLET TWEETER
- TRANSPARENT POLYCARBONATE BODY AND BULLET
- RGB LED BUILT IN BODY
- SURFACE RING BRUSHED SILVER FILM HOT STAMP
- 1 METER RGB LED INPUT WIRE
- NEODYMIUM MAGNET
- CHROME PLATED RING
- SPRING BRASS TERMINAL
- 1" HIGH TEMPERATURE KAPTON VOICE COIL
- 100 WATTS RMS POWER
- 200 WATTS MAX POWER
- IMPEDANCE 4 OHMS
- SENSITIVITY 102 dB
- FREQUENCY RESPONSE 4KHz-20KHz
- CAPACITOR CROSSOVER INCLUDED
- BT CONTROL MODULE APP (LED-BTC) FOR
MULTI-FUNCTION RGB LED LIGHTING SOLD SEPARATELY

Buy quality car speakers in our online store.