



PRO - TWIN1
Peak Power Handling: 240 Watts
Program Power Handling: 120 Watts
AES Rated Power Handling: 60 Watts
Nominal Impedance: 4 ohms
Sensitivity (1W/1M): 104 dB
Frequency Range: 3 KHz - 20 KHz
Diaphragm Material: Titanium
Voice Coil Diameter: 1" (25.4 mm)
Frame Material: Die Cast Aluminum
Magnet Material: Neodymium



4OHM

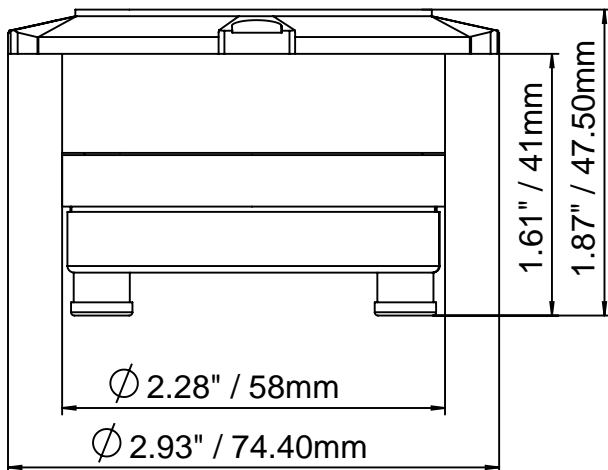
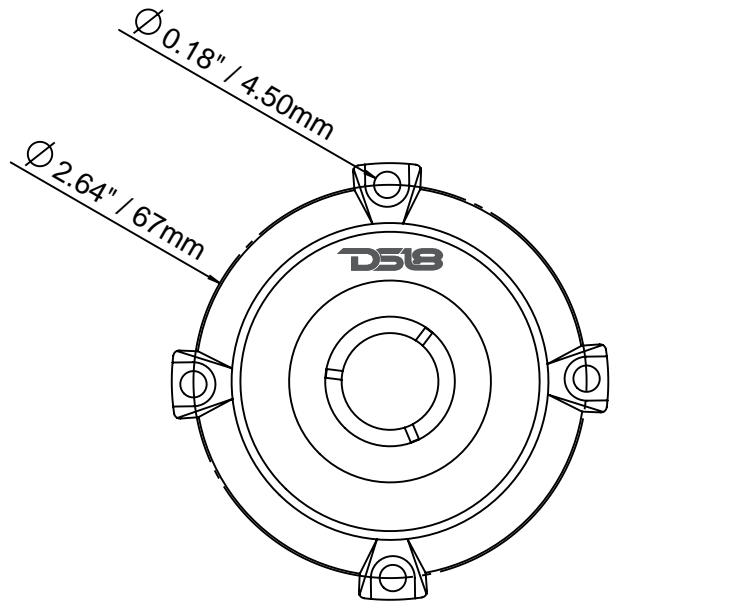


PRO-TWIN1
1" VC SUPER BULLET TWEETER



PRO-TWN1

1" VC SUPER BULLET TWEETER



PRO-TWN1 1" SUPER BULLET TWEETER

Data Sheet

Specifications

Peak Power Handling	240Watts
Program Power Handling	120 Watts
AES Rating Power handling	60 Watts
Nominal Impedance	4 ohms
Sensitivity (1w/1m)	104 dB
Frequency Response	3 K-20 KHz
Recommended Hi Pass Crossover	3 KHz
Voice Coil Diameter	1" (25.4 mm)
Winding Material	KSV
Diaphragm Material	Titanium
Frame Material	Aluminum
Magnet Material	Neodymium

Measurements

Overall Depth	1.87" (47.5 mm)
Mounting Depth	1.61" (41 mm)
Overall Width	2.93" (74.4mm)
Cutout Diameter	2.28" (58 mm)



View [other car speakers](#) made by DS18 on our website.