

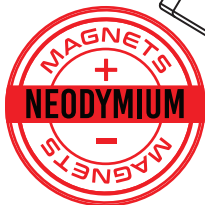
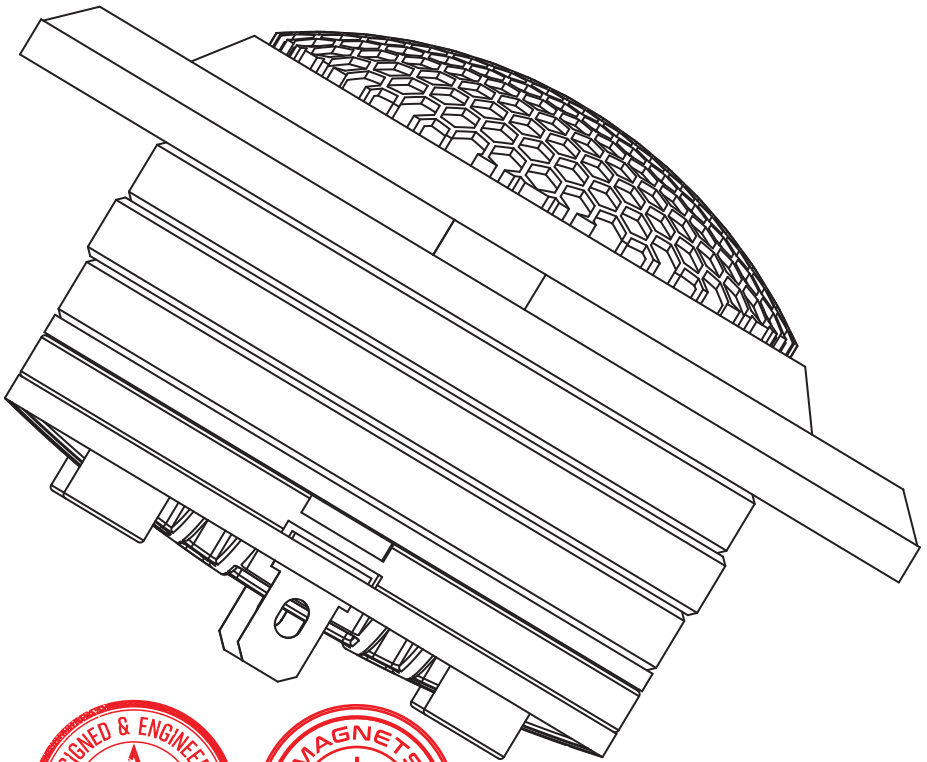


DS18[®]

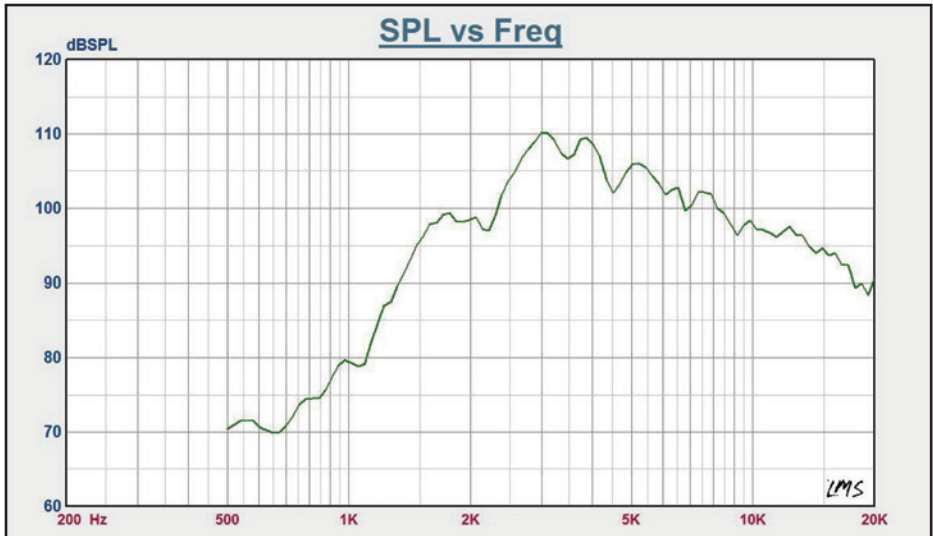
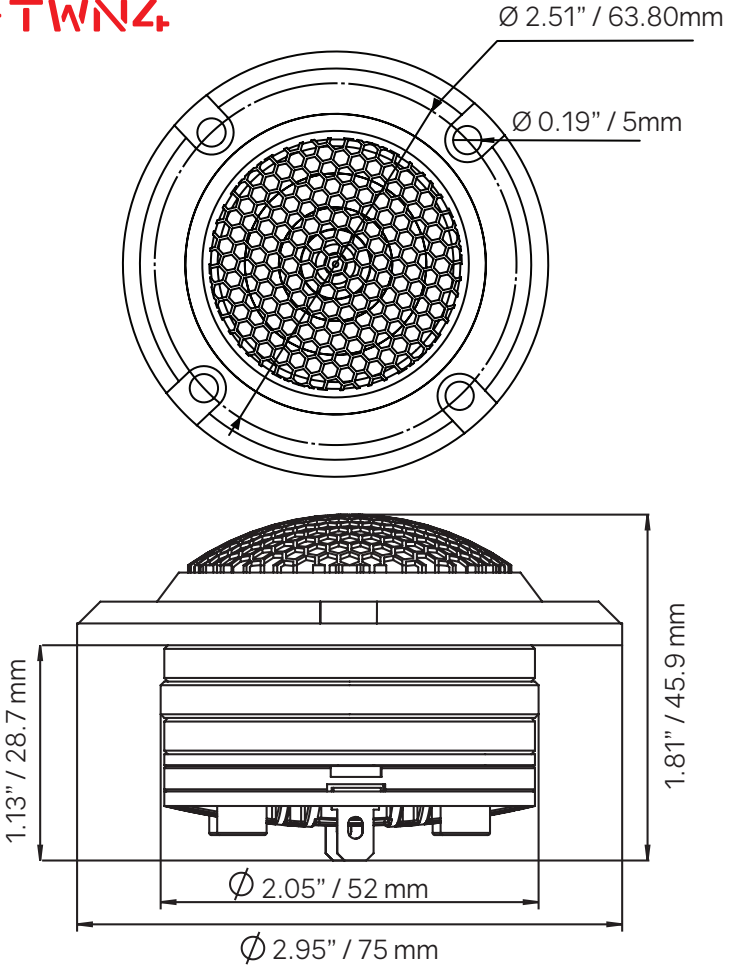
PRO

PRO-TWN4

1" VC PEN HIGH COMPRESSION
NEODYMIUM HYBRID DRIVER/TWEETER



PRO-TWN4



SPECIFICATIONS:

Nominal Diameter	2.95"
Nominal Impedance	4 ohms
Peak Power Handling	280 Watts
Program Power Handling	140 Watts
AES Power Handling	70 Watts
Sensitivity (1W/1W)	105dB
Frequency Response	1.5KHz-20KHz
Recommended Hi Pass Crossover	2KHz

MOTOR

Voice Coil Diameter	1" / 25.4mm
Voice Coil Former Material	KSV
Winding Material	CCAR
Diaphragm Material	PEN
Magnet Material	Neodymium
Magnet Size	2" x 0.2"
Body Material	CNC Aluminum
Bullet Material	Aluminum

MEASUREMENT

Overall Diameter	2.95" / 75mm
Overall Depth	1.81" / 45.9mm
Front Mount Baffle Cutout	2.05" / 52mm
Mounting Depth	1.13" / 28.7mm

View [other car speakers](#) made by [DS18](#) on our website.