

DS18[®]

PRO

PRO-X6.4+3MPK

MID AND HIGH COMPLETE PACKAGE



PRO-X6.4BM

6.5" MIDRANGE LOUD SPEAKER WITH BULLET

RMS Power Handling: 250 Watts

MAX Power Handling: 500 Watts

Frequency Response: 106Hz - 17KHz

Voice Coil Diameter: 1.5" / 38.1 mm

Voice Coil Material: Kapton

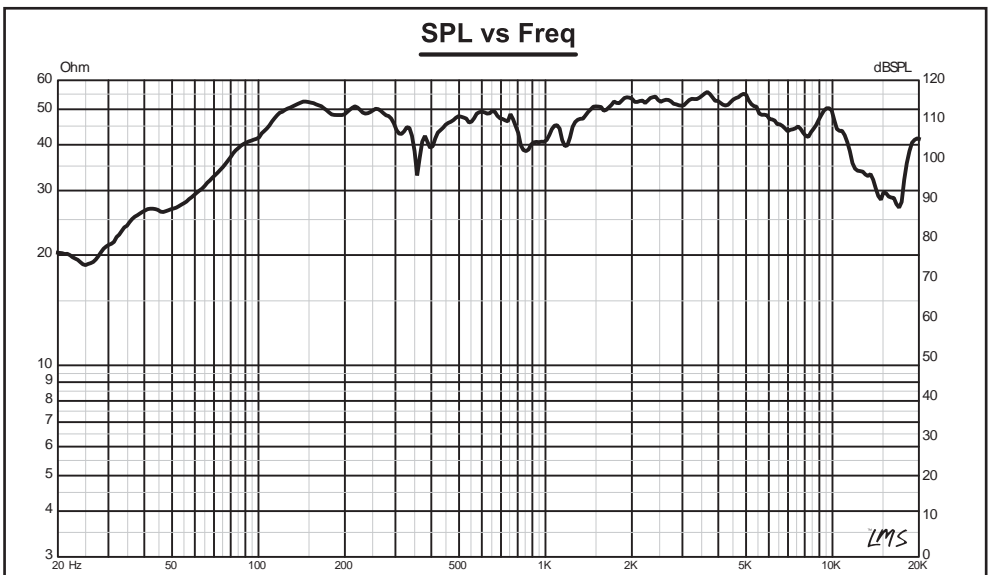
Nominal Impedance: 4 ohm

Sensitivity (1W/1M): 93dB

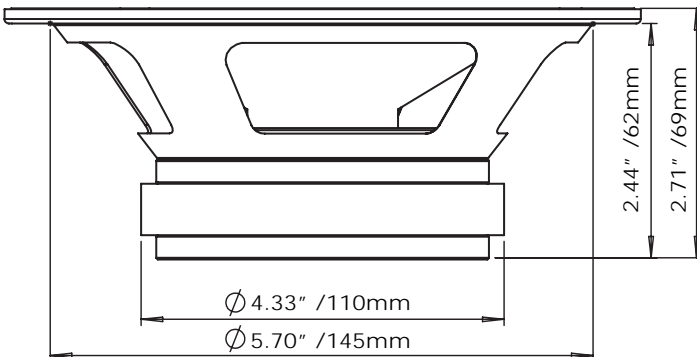
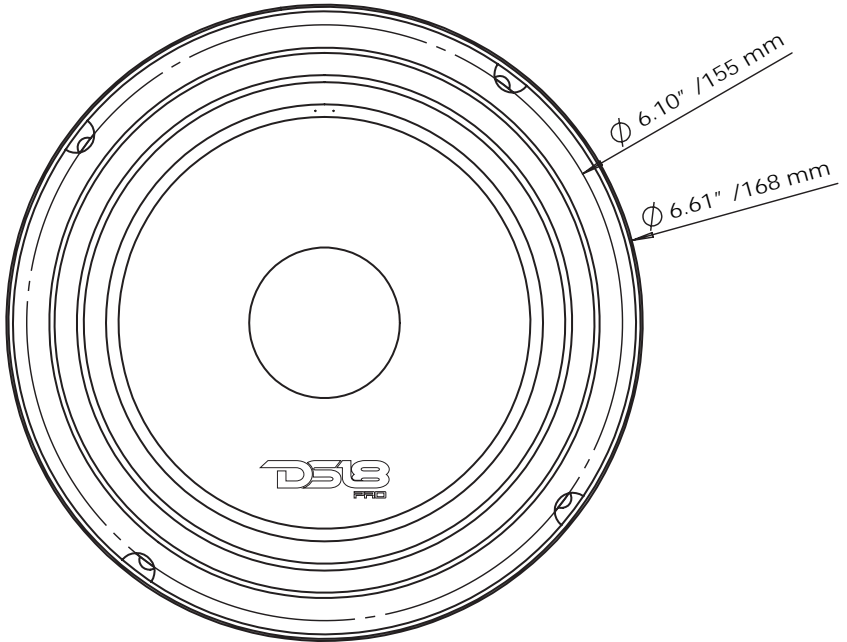
Magnet Weight: 30 oz

Magnet Material: Ferrite

Mounting Depth: 62 mm / 2.44"



PRO-X6.43M





PRO-X6.4BM

Data Sheet

Specifications:

Nominal Diameter.....	6.5" (165.1 mm)
Nominal Impedance.....	4 ohms
RMS Power Handling	250W
Maximum Power Handling.....	500W
Sensitivity (1w/1m).....	93dB
Frequency Response	106Hz - 17KHz
Recommended Hi Pass Crossover.....	120 Hz

Midrange:

Voice Coil Diameter.....	1.5" (38.1 mm)
Voice Coil Former Material.....	Kapton
Winding Material.....	CCA W
Basket Material.....	Steel
Magnet Weight.....	30 oz

Thiele & Small Parameters:

Equivalent Volume	Vas.....	3.810 LTR
Excursion	Xmax.....	8.2mm
Free Air Resonance	Fs.....	106 Hz
Mechanical Factor	Qms.....	8.027
Electrical Factor	Qes.....	0.471
Total Factor	Qts.....	0.445
Dc Resistance	Re.....	3.2 ohms

Measurements:

Overall Diameter.....	168 mm (6.61")
Front Mount Baffle Cutout	145 mm (5.70")
Mounting Depth	62 mm (2.44")
Overall Depth	69 mm (2.72")

PRO-TW220

1" VC Super Tweeter with Bullet

RMS Power Handling: 225 Watts

MAX Power Handling: 350 Watts

Sensitivity (1W/1M): 106 dB

Frequency Range: 2 KHz - 20 KHz

Diaphragm Material: Aluminum

Voice Coil Diameter: 1" (25.4 mm)

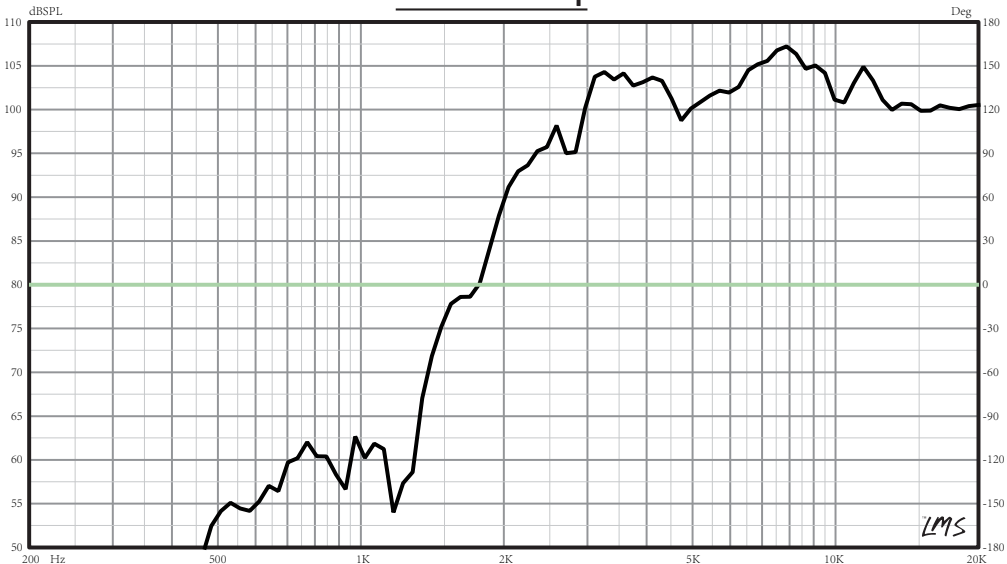
Nominal Impedance: 4 ohm

Frame Material: Die Cast Aluminum

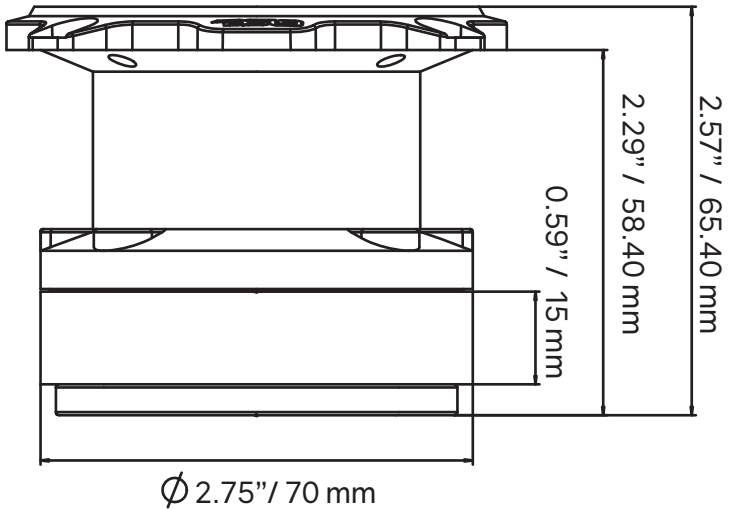
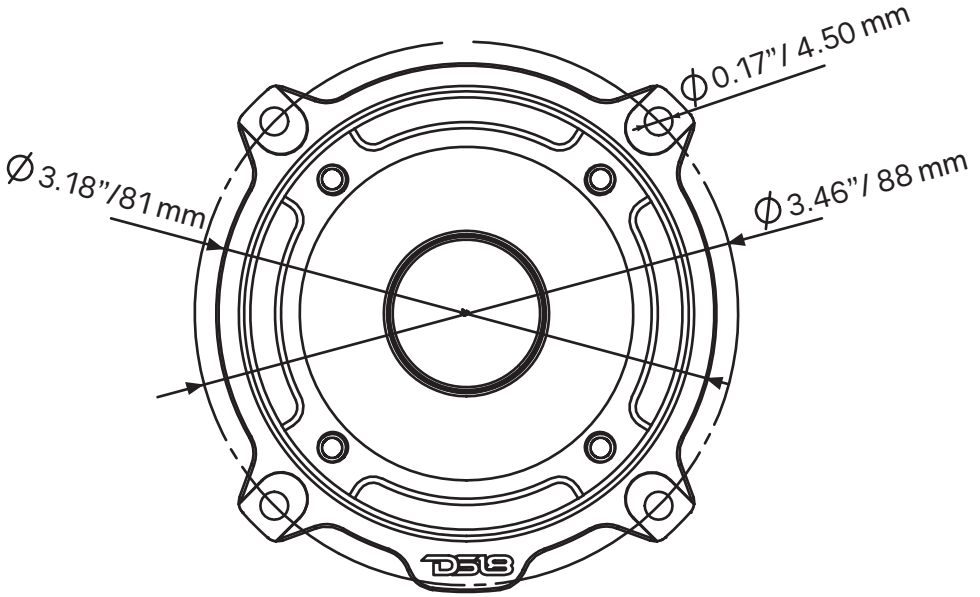
Magnet Material: Ferrite

Magnet Weight: 8 oz

SPL vs Freq



PRO-TW220



PRO-TW220

Data Sheet

Specifications

Nominal Impedance	4 ohms
RMS Power Handling	225 Watts
MAX Power Handling	350 Watts
Sensitivity (1w/1m)	106 dB
Frequency Response	2 K-20 KHz
Recommended Hi Pass Crossover	3 KHz
Voice Coil Diameter	1" (25.4 mm)
Winding Material	CCAW
Diaphragm Material	Aluminum
Frame Material	Aluminum
Basket Material	Aluminum
Magnet Material	Ferrite
Magnet Weight	8 oz

Measurements

Overall Depth	2.57" (65.4 mm)
Mounting Depth	2.29" (58.4 mm)
Overall Width	3.18" (81 mm)
Cutout Diameter	2.75" (70.0 mm)

Shipping Info

Gross Single Unit Weight	0.54Kg
Single Unit Box Dimensions W x L x H	20 x 9.30 x 7.2 cm / 1 Pair
Quantity of Units in Master Carton	18 PCS / CTN
Gross Master Carton Weight	11.7 KG
Master Carton Dimensions W x L x H	20.2 x 31 x 22.3 cm