



PRO-X6.4BMSL

6.5" MIDRANGE SLIM SPEAKER WITH BULLET

RMS Power Handling: 250 Watts

MAX Power Handling: 500 Watts

Frequency Response: 125Hz-8KHz

Voice Coil Diameter: 1.5" (38.1 mm)

Voice Coil Material: Kapton

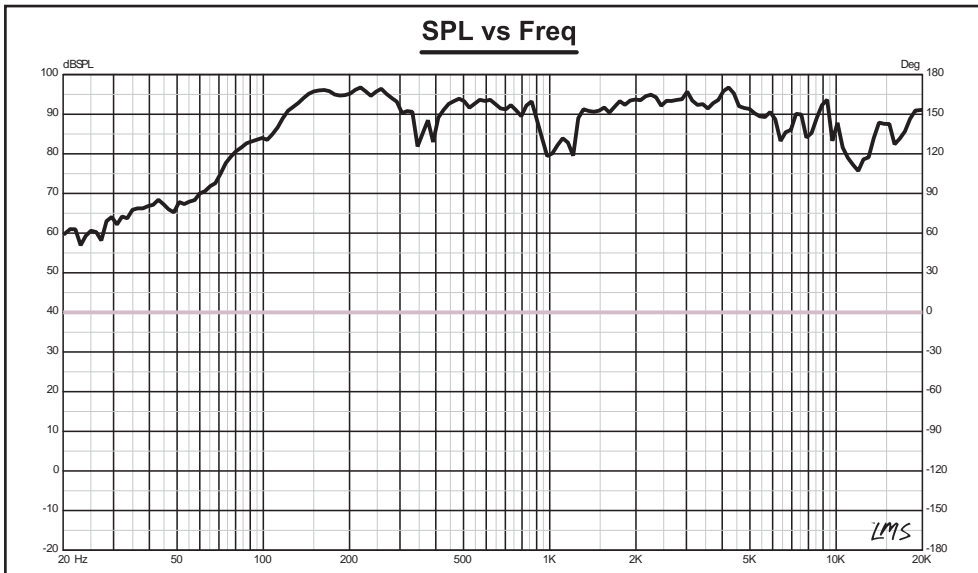
Nominal Impedance: 4 ohms

Sensitivity (1W/1M): 94dB

Magnet Weight: 21 oz

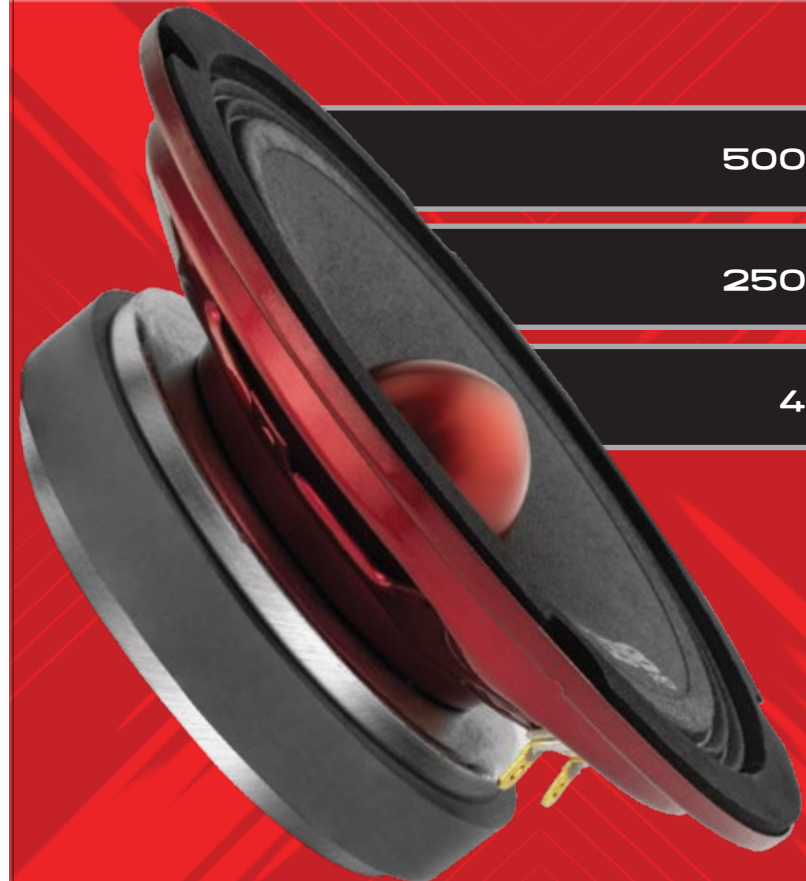
Magnet Material: Ferrite

Mounting Depth: 54.5 mm / 2.15"



PRO-X6.4BMSL

6.5" MIDRANGE SLIM SPEAKER WITH BULLET



500W MAX

250W RMS

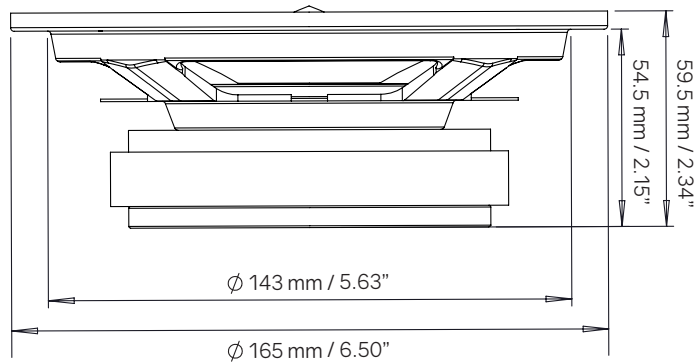
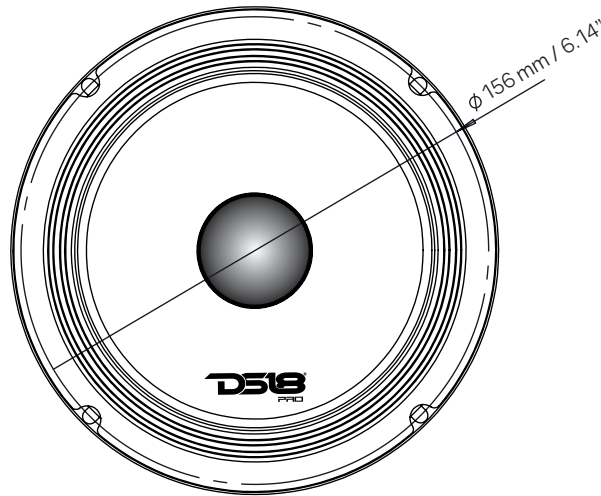
4 OHMS



PRO-X6.4-BMSL

Data Sheet

6.5" MIDRANGE SLIM SPEAKER WITH BULLET



PRO-X6.4-BMSL 6.5" SLIM MIDRANGE SPEAKER WITH BULLET

Specifications:

Nominal Diameter.....	6.5" (165.1 mm)
Nominal Impedance.....	4 ohms
RMS Power Handling.....	250 WATTS
Maximum Power Handling.....	500 WATTS
Sensitivity (1w/1m).....	94dB
Frequency Response.....	125Hz-8KHz
Recommended Hi Pass Crossover.....	180 Hz

Midrange:

Voice Coil Diameter.....	1.5" (38.1 mm)
Voice Coil Former Material.....	Kapton
Winding Material.....	CCA
Basket Material.....	Steel
Magnet Weight.....	21 oz

Thiele & Small Parameters:

Equivalent Volume.....	Vas.....	2.956 LTR
Excursion.....	Xmax.....	6.4 mm
Free Air Resonance.....	Fs.....	159 Hz
Mechanical Factor.....	Qms.....	7.332
Electrical Factor.....	Qes.....	0.817
Total Factor.....	Qts.....	0.735
Dc Resistance.....	Re.....	3.2 ohms

Measurements:

Overall Diameter.....	165 mm (6.50")
Front Mount Baffle Cutout.....	143 mm (5.63")
Mounting Depth.....	54.5 mm (2.15")
Overall Depth.....	59.5 mm (2.35")

