



PRO-X698BM

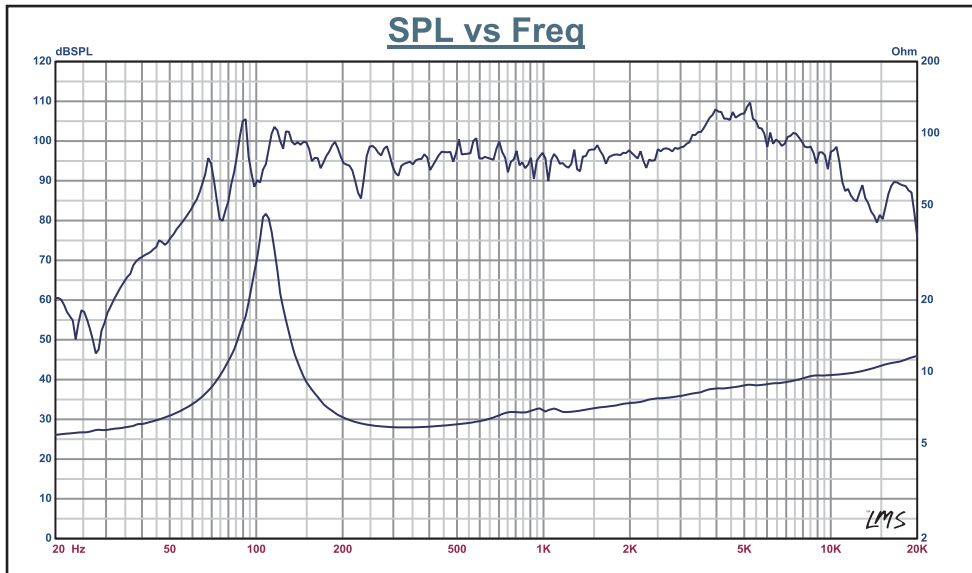
6x9" MIDRANGE SPEAKER WITH BULLET

- MAX Power Handling: 550 Watts
- RMS Power Handling: 275 Watts
- Frequency Response: 65Hz-12KHz
- Nominal Impedance: 8 ohms
- Mounting Depth: 85 mm (3.34")
- Sensitivity (1W/1M): 98dB
- Magnet Material: Ferrite
- Magnet Weight: 27 oz
- Voice Coil Material: Kapton
- Voice Coil Diameter: 1.5" (38.1 mm)



8OHM

SPL vs Freq



PRO-X698BM

6x9" MIDRANGE
SPEAKER WITH BULLET



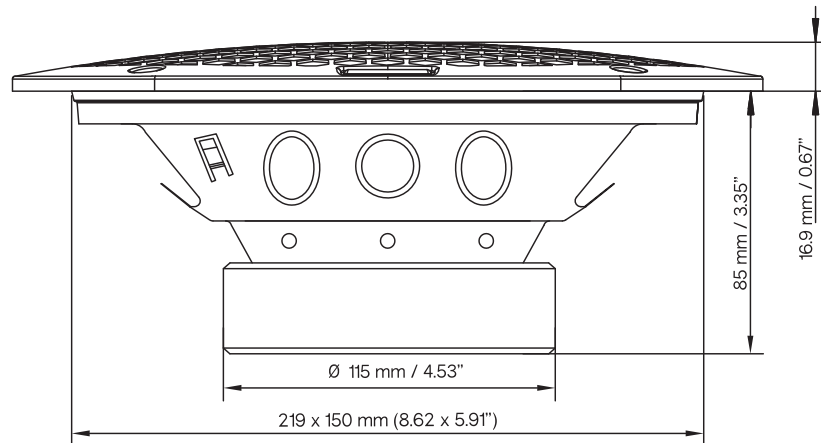
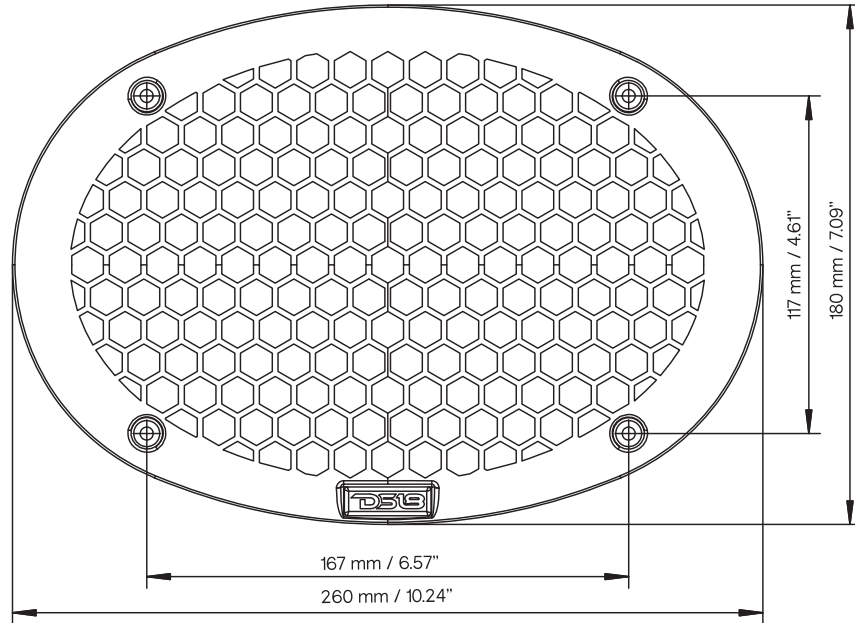
550W MAX

275W RMS

8 OHMS

PRO-X698BM

**6x9" MIDRANGE
SPEAKER WITH BULLET**



Data Sheet

PRO-X698BM 6x9" MIDRANGE WITH BULLET

Specifications:

Nominal Diameter	6x9"
Nominal Impedance	8 ohms
RMS Power Handling	275 WATTS
Maximum Power Handling	550 WATTS
Sensitivity (1w/1m)	98dB
Frequency Response	65Hz-12KHz
Recommended Hi Pass Crossover	80 Hz

Midrange:

Voice Coil Diameter	1.5" (38.1 mm)
Voice Coil Former Material	Kapton
Winding Material	CCAW
Basket Material	Steel
Magnet Weight	27 oz

Thiele & Small Parameters:

Equivalent Volume	Vas	14.69 LTR
Excursion	Xmax	9.2 mm
Free Air Resonance	Fs	100 Hz
Mechanical Factor	Qms	7.223
Electrical Factor	Qes	1.118
Total Factor	Qts	0.968
Dc Resistance	Re	5.2 ohms

Measurements:

Overall Diameter	260 x 180 mm (10.24 x 7.09")
Front Mount Baffle Cutout	219 x 150 mm (8.62 x 5.91")
Mounting Depth	85 mm (3.35")
Overall Depth	97 mm (3.81")

