

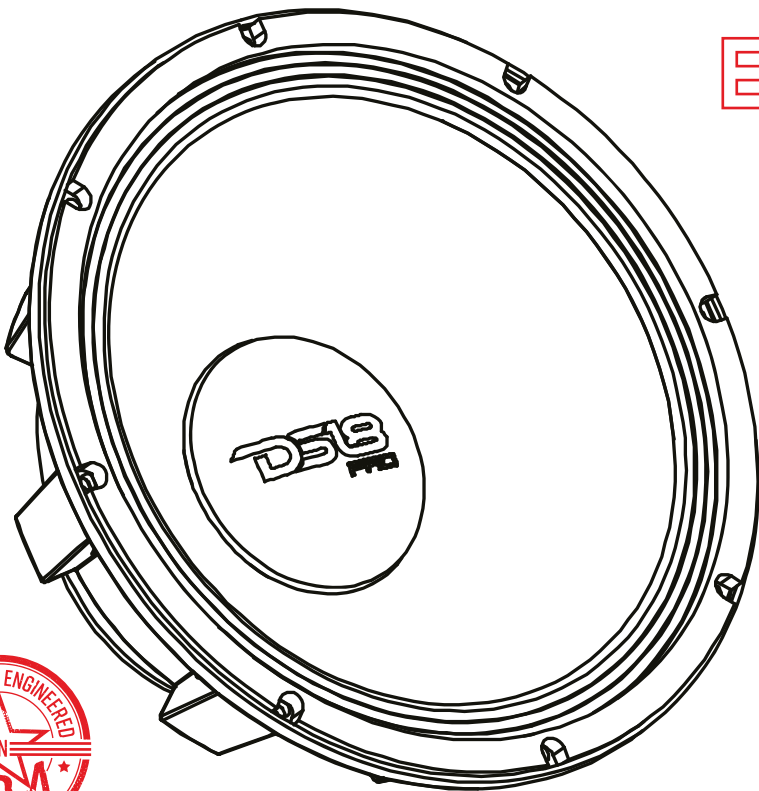


D518[®]

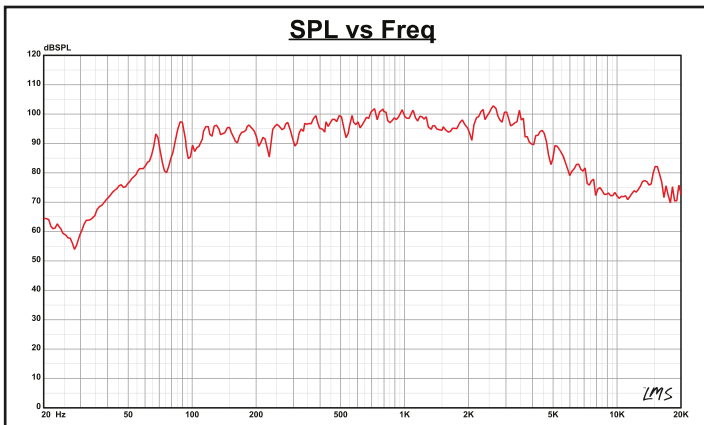
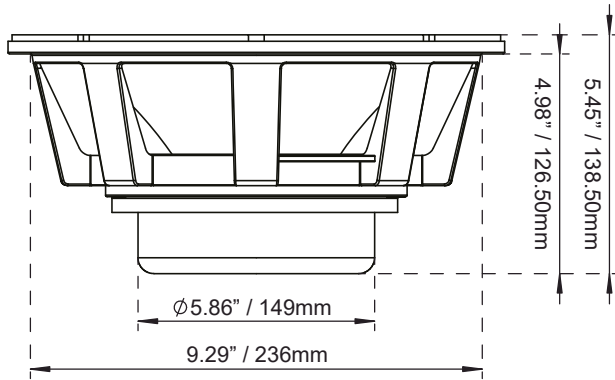
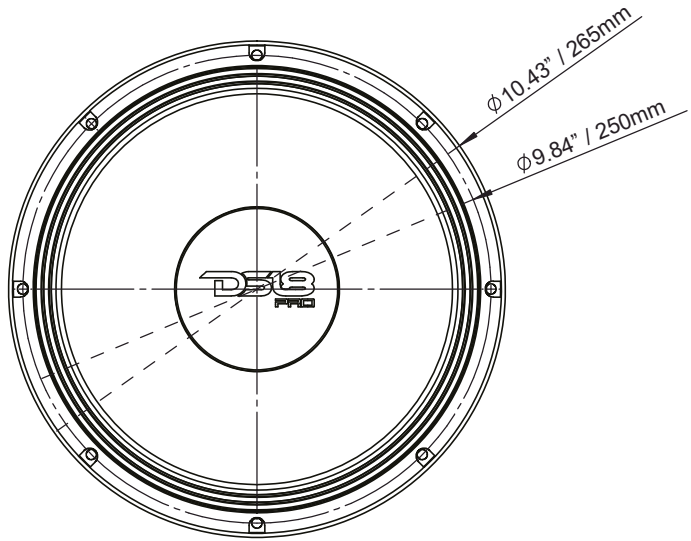
OWNER'S MANUAL

PRO-XLNEO10MB

10" MID-BASS LOUDSPEAKER WITH
NEODYMIUM MAGNET AND 4" VC



PRO-XLNEO10MB





SPECIFICATIONS:

Nominal Diameter.....	10" / 254mm
Nominal Impedance.....	8 OHMS
RMS Power Handling	1000W
MAX Power Handling.....	2000W
Sensitivity (1w/1m).....	96.5 dB
Frequency Response.....	50Hz - 7KHz
Recommended HI Pass Crossover	100Hz
Pair or Single.....	Single

MOTOR:

Voice Coil Diameter.....	4" / 99.8mm
VC Former Material	Glass Fiber
Winding Material.....	CCAW
Cone Material	Paper
Dustcap Material	Paper
Surround Material.....	Cloth
Basket Material.....	Aluminum
Basket Color.....	Sandblasted Black
Magnet Material.....	Neodymium
Magnet Weight	18.5 Oz
Displacement Volume	1.83L / 0.064ft3

THIELE & SMALL PARAMETERS

Equivalent Volume.....	Vas	20.53L / 0.72ft3
Excursion (one way).....	Xmax	13.8 mm
Free Air Resonance.....	Fs	64Hz
Mechanical Factor.....	Qms	3.03
Electrical Factor	Qes	0.255
Total Factor	Qts	0.235
Mechanical Mass	Mms	78.573g
Mechanical Compliance	Cms.....	0.125mm/N
BL Factor	Bl.....	20.072
Voice Coil Inductance	Le	32.64mH
Cone Area	Sd	339.795CM ²
DC Resistance	Re	5.2 Ohm
Mechanical Mass w/o Air	Mmd.....	65.971g

MEASUREMENTS:

Overall Diameter.....	10.43" / 265mm
Overall Depth	5.45" / 138.5mm
Front Mount Baffle Cutout	9.29" / 236mm
Mounting Depth.....	4.98" / 126.5mm
Motor Diameter.....	5.86" / 149mm