

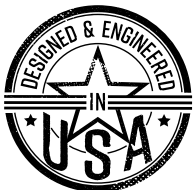
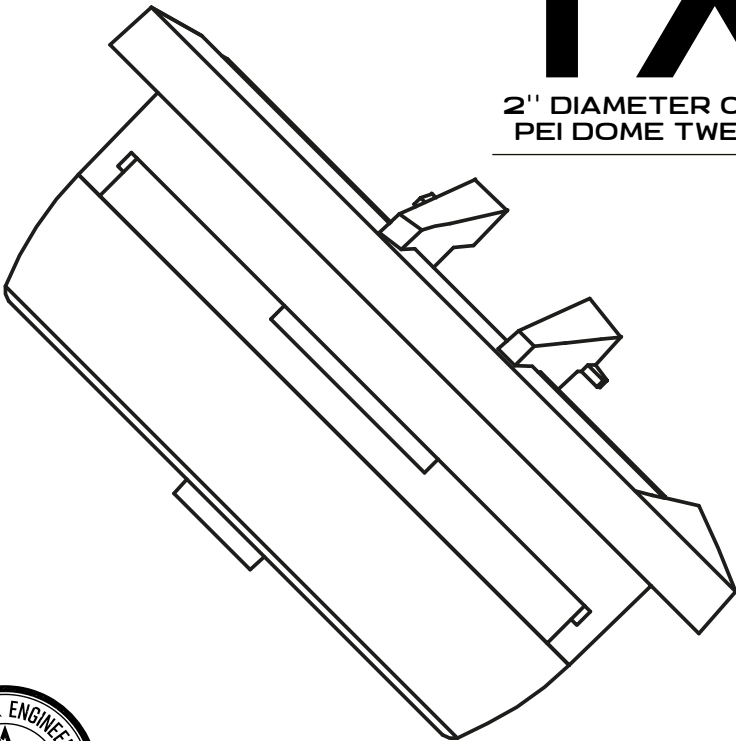
The DS18 logo is rendered in a bold, stylized, white font against a black background. The letters 'D', 'S', and '1' are connected, and the '8' is also connected to the '1'. A registered trademark symbol (®) is located at the top right of the '8'.

DS18[®]

OWNER'S MANUAL

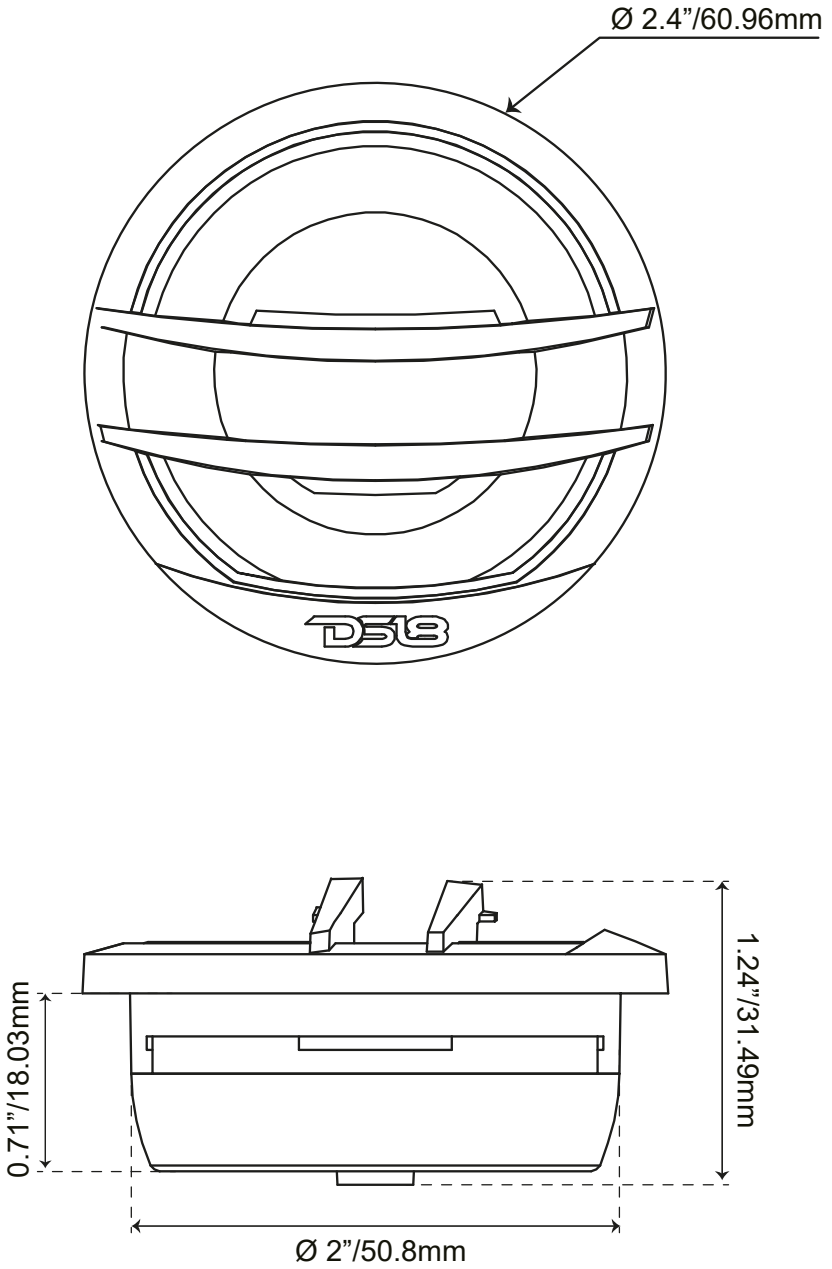
TX1

**2" DIAMETER 0.5" VC
PEI DOME TWEETER**



AVAILABLE IN RED (TX1R) OR SILVER (TX1S)

TX1





Specifications

Nominal Diameter	2"
Nominal Impedance	4 ohms
AES Power Handling	25 Watts
Program Power Handling	50 Watts
Peak Power Handling	200 Watts
Sensitivity (1w/1m)	88dB
Frequency Response	2KHz-20KHz
Recommended Hi Pass Crossover	3KHz

Motor:

VC Diameter	0.5"
VC Former Material	KSV
Diaphragm Material	PEI Dome
Magnet Material	Ferrite
Body Material	Plastic

Measurements:

Overall Diameter	2.4"/60.96mm
Overall Depth	1.24"/31.49mm
Front Mount Baffle Cutout	2"/50.8mm
Mounting Depth	0.71"/18.03mm

TXI

WE LIKE IT LOUD

Learn more about car audio and electronics we have.