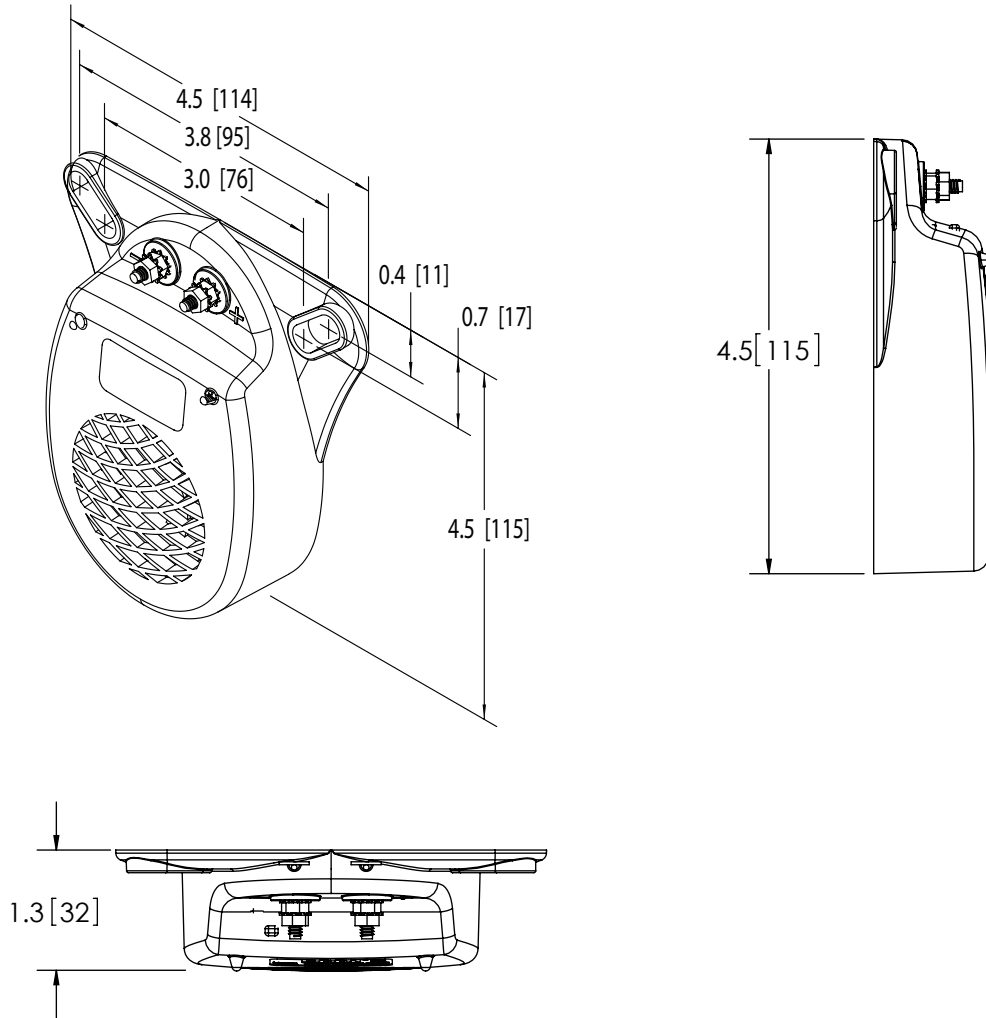


REVISION HISTORY

REV.	DESCRIPTION	DATE
B	RESTORED ELECT FILE & CHGD SPECS PER CR# 1138	2002-07-09
C	UPDATED DIMENSION PER P3 #06062	2007-08-31
D	REVISE PER P11034	2012-03-06



**SPECIFICATIONS**

- CERTIFICATIONS: SAE J994 (AUG 1993), TYPE C  
 Note: Unique components, accessories, and hardware kits are not typically included in the Product Certification Test Protocols. Unless otherwise Specified, the Product Certifications referred to herein are predicated upon the base product model configuration.
- SOUND PRESSURE LEVEL:  $97 \pm 4$  dB (A) @ 1.2m (4ft)
- VOLTAGE (NOMINAL): 12 VDC
- VOLTAGE (EXTREME): 9.0 to 16.0 VDC
- CURRENT (NOMINAL): 0.1 A
- POWER (NOMINAL): 2 W
- TEMPERATURE RANGE: -40°F (-40°C) TO 185°F (85°C)
- FREQUENCY: 960 to 1440 Hz
- CONNECTION: 8-32 UNI STUD CONNECTION
- RECOMMENDED MOUNTING: 5/16 - 18 UNC, GRADE 5 OR BETTER, 5/16" TYPE A, SERIES N OR W WASHER
- HOUSING MATERIAL: GLASS FILLED NYLON
- PRODUCT WEIGHT: 0.8 LBS

NOTES:  
 1. DIMENSIONS IN INCHES [MILLIMETERS (FOR REFERENCE)]

SCALE 1:2		APPROVALS	DATE	ECCO®
CAD GENERATED DRAWING DO NOT MANUALLY UPDATE. MODEL REFERENCED: D		DRAWN BY ADM	2012-02-28	
		CHECKED MDH	2012-02-29	
TOLERANCES ARE IN INCHES, AND MILLIMETERS TOLERANCES ARE:		MECH. ENG. JLA	2012-02-28	
MILLIMETERS DECIMALS XX. ± 1.0mm XX.X ± 0.5mm	INCHES DECIMALS X.X ± 0.1 X.XX ± 0.04 X.XXX ± 0.02	ANGLES ± 0.5°	ELEC. ENG. GCJ	ALARM, BACK-UP, 97DBA, 12VDC, 200 SERIES
	FRACTIONS ± 1/64	TEST ENG. JRT	2012-03-01	
		SALES. DEH	2012-02-28	CUSTOMER PART NO. 210
NON DISCLOSURE AGREEMENT				PRODUCT SERIES: 200
THIRD ANGLE PROJECTION				SIZE: A
THIS DRAWING AND THE DESIGN IT DISCLOSES ARE THE PRIVATE PROPERTY OF ECCO AND IS ISSUED IN CONFIDENCE FOR ENGINEERING INFORMATION ONLY. THE DRAWING AND / OR DESIGN MAY NOT BE USED, COPIED, REPRODUCED, OR OTHERWISE DISCLOSED IN PART OR AS A WHOLE TO OUTSIDERS OR USED FOR ANY OTHER PURPOSE WITHOUT THE PRIOR WRITTEN CONSENT OF ECCO. THE DRAWING IS SUBJECT TO RECALL AT ANY TIME. YOUR POSSESSION OF THIS DOCUMENT CONSTITUTES ACCEPTANCE OF THESE TERMS. © 2002 ECCO				DWG. NO. 210
				REV. D
				SHEET 1 OF 1
				Project: 97005
				Date Created: 1998-08-21