



3861

3811



BEACONS | MINIBARS | LIGHTBARS | WORKLAMPS | UTILITY BARS | INTERIOR LIGHTING | BACK-UP ALARMS | CAMERA SYSTEMS

DIRECTIONALS

3811 / 3861 SERIES SAE Class I Surface & Grommet Mount

3811 and 3861 Series directional LEDs feature 20 high intensity LEDs with individual reflectors to provide truly outstanding light output in a very cost-effective package. Featuring seven flash patterns and synchronization capability, they are available in either surface or grommet mount configurations, offering fit-and-forget maintenance-free operation and low amp draw.

Models

| PART NO. | VOLTAGE | AMPS | MOUNT |
|----------|---------|------|---------|
| 3811X | 12-24 | 0.4 | Surface |
| 3861X | 12-24 | 0.4 | Grommet |

Replace X in part number with desired color: A=amber, B=blue, C=clear, R=red

Features and Benefits

- Tough, clear polycarbonate housing with encapsulated electronics
- Seven flash patterns
- Synchronizable with additional 3811/3861
- Discrete units are colorless when not illuminated
- Grommet mount versions fit standard oval rear lighting grommet
- SAE J595 Class I
- CE, R10
- Temperature Range: -22°F to +122°F (-30°C to +50°C)
- Warranty: 3 years

Accessories

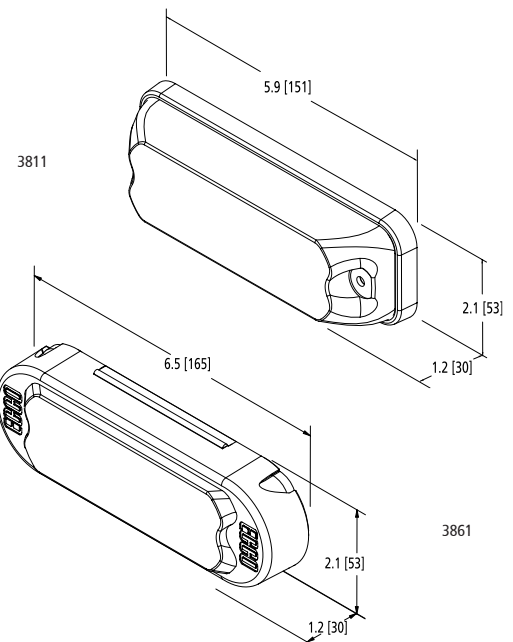
GROMMET
3860ADPT



OVAL GROMMET MOUNTING BOX
A9895



OVAL GROMMET
R2160GO



Flash Patterns (7)

- Single
- Double
- Quad
- NFPA Quad
- Fast Single
- Fast Double
- Fast Quad