



DIRECTIONAL LEDS



3811 / 3861 SERIES SAE Class I Surface / Grommet Mount

3811 and 3861 Series directional LEDs feature 20 high-intensity LEDs with individual reflectors to provide truly outstanding light output in a very cost-effective package. Single- or dual-color models provide synchronization capability, and are available in either surface- or grommet-mount configurations—offering fit-and-forget, maintenance-free operation and low amp draw.

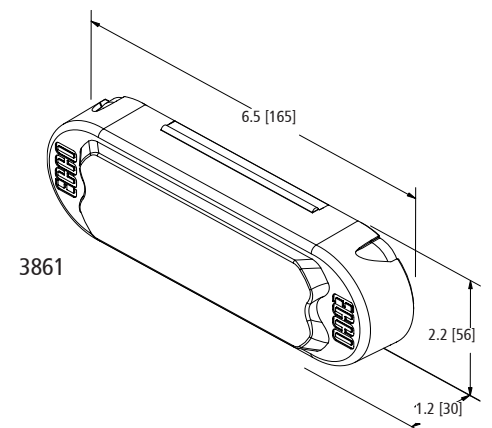
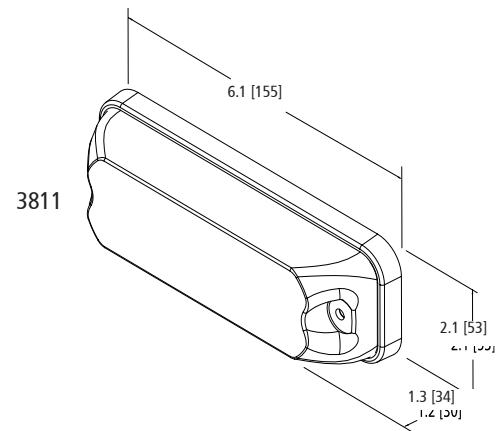
Models

| PART NO. | COLOR | VOLTAGE | AMPS | MOUNT |
|----------|--------------|---------|------|---------|
| 3811X | Choose Color | 12-24 | 0.26 | Surface |
| 3861X | Choose Color | 12-24 | 0.26 | Grommet |
| 3811AC | Amber/Clear | 12-24 | 0.4 | Surface |
| 3861AC | Amber/Clear | 12-24 | 0.4 | Grommet |

Replace X in part number with desired color: A=amber, B=blue, C=clear, R=red

Features and Benefits

- Tough, clear polycarbonate housing with encapsulated electronics
- Seven flash patterns for single-color and 41 flash patterns for dual-color
- Synchronizable with additional 3811/3861
- Discrete units are colorless when not illuminated
- Grommet-mount versions fit standard oval rear lighting grommet
- Temperature Range: -40°F to +158°F (-40°C to +70°C)



Accessories

