



BEACONS | MINIBARS | LIGHTBARS | WORKLAMPS | UTILITY BARS | INTERIOR LIGHTING | BACK-UP ALARMS | CAMERA SYSTEMS

DIRECTIONALS

3910 / 3930 Series Surface Mount

The 3910 and 3930 are extremely thin [LED directional lights](#) that offer long-life, low maintenance operation with no moving parts or bulbs/flashtubes to break or replace. Comprised of 56 high-intensity LEDs, the 3910 and 3930 feature 15 flash patterns, are available in amber and red, and are covered by a 2-year warranty.

Features and Benefits

- 56 high intensity LEDs
- Extremely thin surface mount design
- Simple three-wire hookup
- Warranty: 2 years

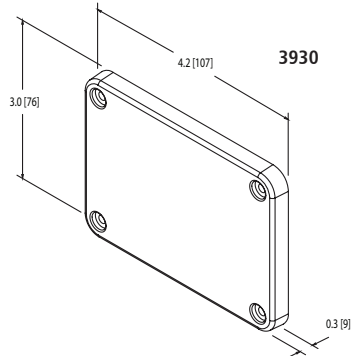
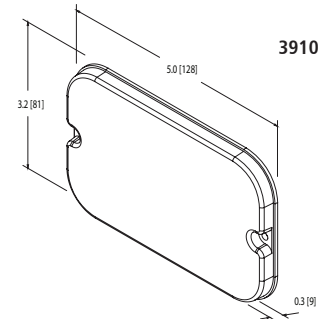
Models

PART NO.	VOLTAGE	AMPS	MOUNT
3910X	12	0.8	Surface
3930X	12	0.8	Surface

Replace X in part number with desired color: A = amber, R = red

Flash Patterns (15)

- Quad
- Quint
- Mega
- Double
- Single
- Twin Single
- Twin Double
- Triple
- Twin Triple
- Twin Mega
- Triple Mega Bang
- Warble
- Phased Mega
- Single, Quad
- Cycle



Accessories

A3930BZB
Black bezel

A3930BZC
Chrome bezel

