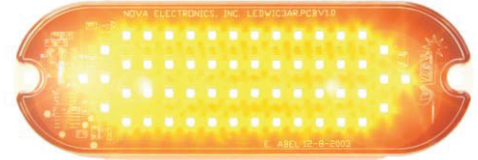


## 3911 SERIES

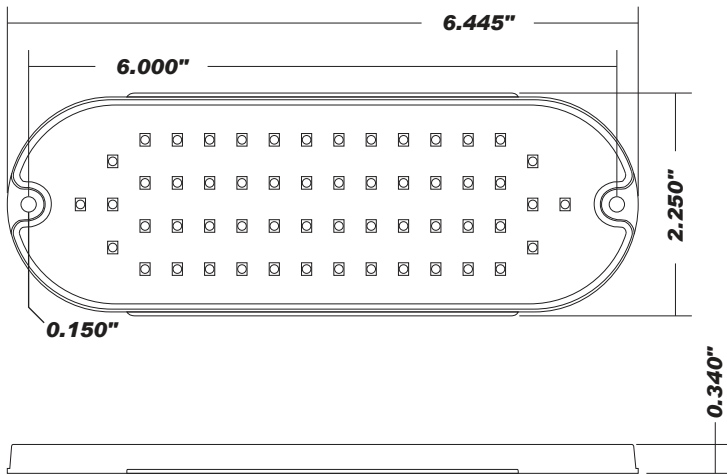
### SURFACE MOUNT OVAL LED HEAD



#### TECHNICAL SPECIFICATIONS

INPUT VOLTAGE .....	12.8 Vdc
INPUT CURRENT .....	0.4 Amps Typical
	0.8 Amps Max
	(varies with flash pattern)
LED ELEMENTS .....	56
FLASH PATTERNS .....	15

#### DIMENSIONS



#### INSTALLING THE 3911

1. Use the mounting diagram as a reference to mark the hole locations for the two mounting screws and the wires. Drill 7/64" pilot holes for the mounting screws and a 1/2" hole for the wires.
2. Make Electrical Connections: *Wiring diagrams on back*

**THE WIRE CONNECTIONS MUST BE SEALED IF USED IN A WET LOCATION. WATER MAY TRAVEL UP AN UN-SEALED WIRE AND CAUSE CORROSION PROBLEMS.**

#### USE AT LEAST 18AWG WIRE FOR POWER CONNECTIONS

**RED Wire:** Connect to +12V through an ON/OFF switch. The use of a fuse located close to the voltage source is recommended.

**BLACK Wire:** Connect to - GROUND *vehicle chassis*.

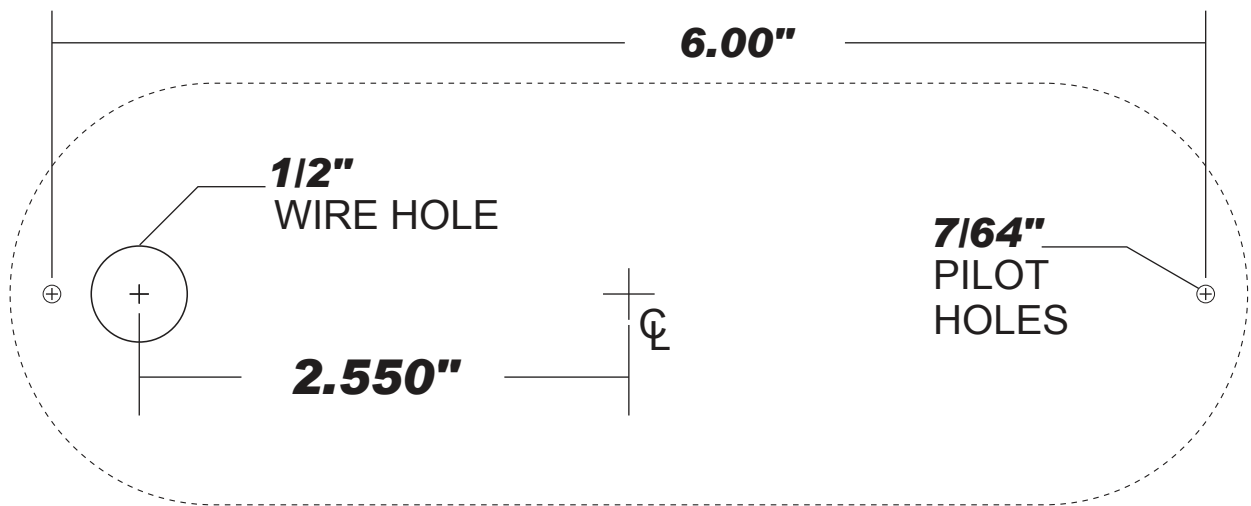
**BLUE Wire:** Flash Pattern Selection.

Turn the power on. Touch the BLUE wire to +12V (RED wire) to advance to the next pattern. When you have found the flash pattern you wish to use, either leave the BLUE wire unconnected (SEAL THE END) or connect to GROUND (BLACK WIRE).

*See flash pattern list on next page*

3. Mount the 3911 with the two #6x1/2" stainless steel screws (supplied). *NOTE: The 3911 should not be mounted to an extremely curved surface.*

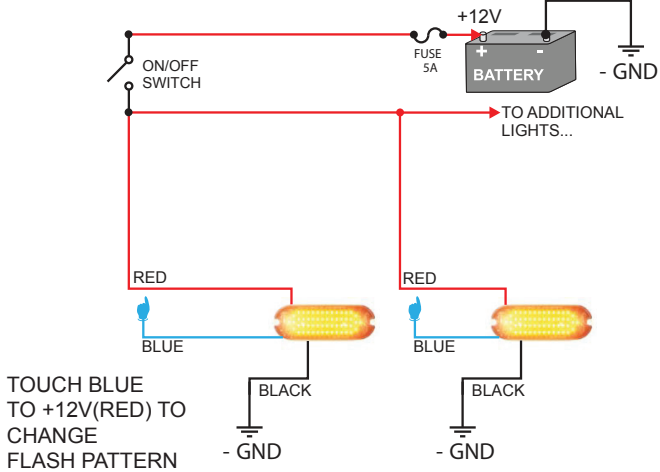
#### MOUNTING DIAGRAM



FOR REFERENCE ONLY - MEASURE BEFORE DRILLING

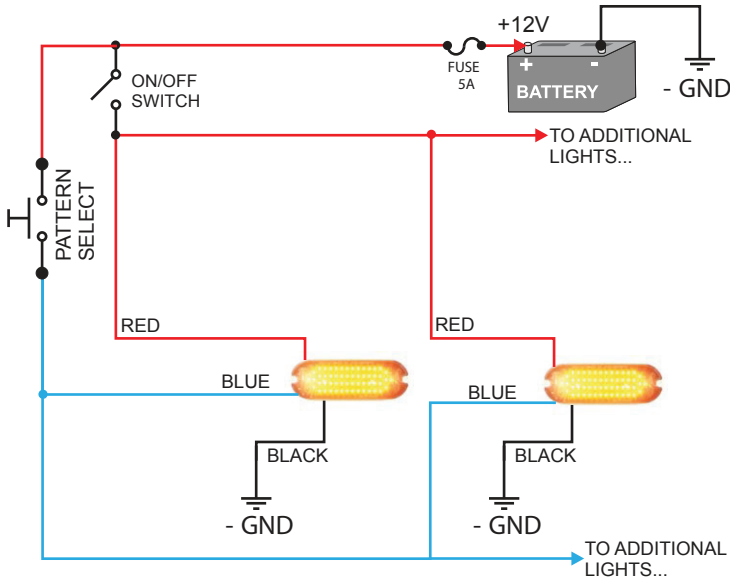
## WIRING DIAGRAM 1

### BASIC WIRING WITH SIMPLE ON/OFF SWITCH



## WIRING DIAGRAM 2

### ON/OFF AND FLASH PATTERN SELECTION



PATTERN SELECT SWITCH IS A MOMENTARY, NORMALLY OFF, PUSH-BUTTON SWITCH.

PRESSING PATTERN SELECT WILL INCREMENT THE FLASH PATTERN.

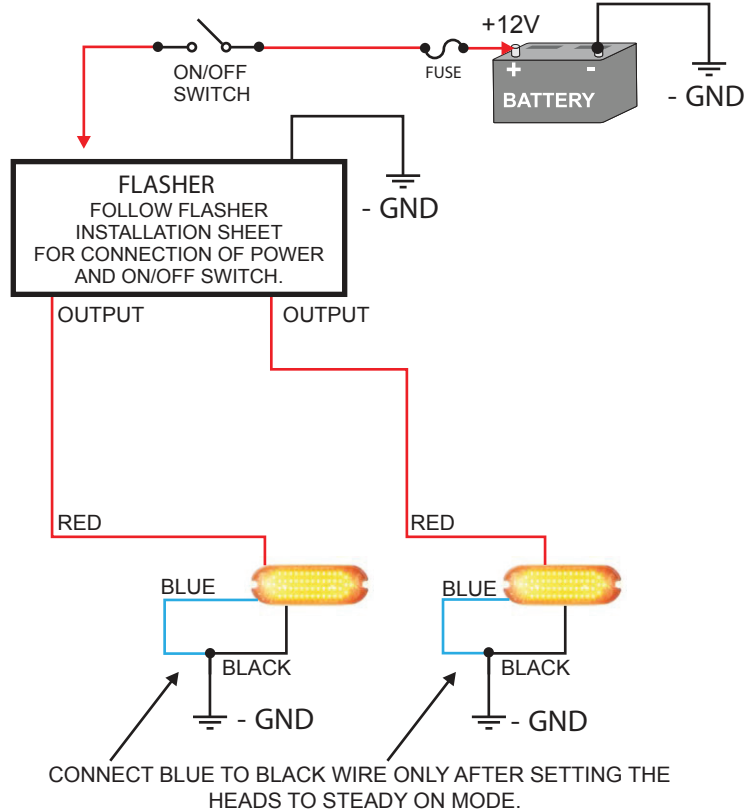
**PRESS AND HOLD PATTERN SELECT WHILE TURNING THE POWER SWITCH ON TO RESET FLASH PATTERN TO #1.**

## CONNECTION TO FLASHER

The 3911 can be driven by any lamp flasher or LED flasher that is made to drive +12 Volt lamps or LED heads.

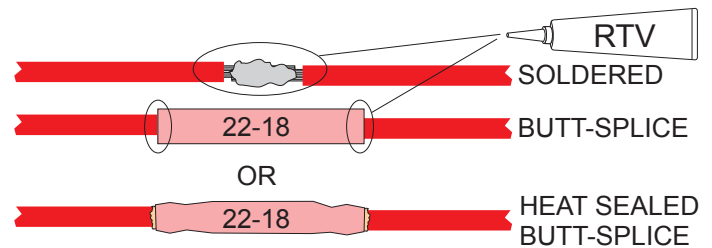
SET THE 3911 TO PATTERN 1  
**STEADY ON**  
WHEN USING WITH FLASHER

The easiest way to set the 3911 to steady on mode is to temporarily twist BLUE and RED together and apply power. Then, tie BLUE to the BLACK wire to ensure that the flash pattern will never change from steady on mode.



## SEALING WIRE CONNECTIONS

**ELECTRICAL TAPE WILL NOT SEAL A CONNECTION**



## FLASH PATTERN LIST

#	Flash Pattern	Description
1	Steady ON	All LEDs on. FOR USE WITH EXTERNAL FLASHER ONLY.
2	RANDOM	Randomly selects from patterns 3 through 13 and runs each pattern 10 times.
3	Double Flash - SPLIT	2 Flash Bursts Alternating between split LED array. 115 Double FPM.
4	Quad Flash - SPLIT	4 Flash Bursts Alternating between split LED array. 140 Quad FPM.
5	Mega Flash - SPLIT	1 Flash Burst Alternating between split LED array. 500 FPM.
6	Phased Mega - SPLIT	1 Flash Burst Alternating between split LED array. Varies from 360 to 1200 FPM.
7	Deciblast - SPLIT	10 Flash Bursts Alternating between split LED array. 170 Deci FPM.
8	Double Flash	2 Flash Bursts. All LEDs firing. 115 Double Flashes Per Minute.
9	Quad Flash	4 Flash Bursts. All LEDs firing. 140 Quad Flashes Per Minute.
10	Mega Flash	1 Flash Burst. All LEDs firing. 500 Flashes Per Minute.
11	Phased Mega	1 Flash Burst. All LEDs firing. Varies from 360 to 1200 Flashes Per Minute.
12	Deciblast	10 Flash Bursts. All LEDs firing. 170 Deci Flashes Per Minute.
13	Flasher - SPLIT	Wig-Wag Flasher pattern split across LED array. 3 Flashes per second rate.
14	Flasher Sequence 1 - SPLIT	Wig-Wag and Steady Flasher sequence 1. 3 Flashes per second rate.
15	Flasher Sequence 2 - SPLIT	Wig-Wag and Steady Flasher sequence 2. 3 Flashes per second rate.

Patterns 3 through 7 and 13 through 15 split the LED array into two halves.



The remaining patterns flash the entire LED array.



Random mode picks from both split and full array flash patterns.

