



BEACONS | MINIBARS | LIGHTBARS | DIRECTIONALS | WORKLAMPS | UTILITY BARS | INTERIOR LIGHTING | CAMERA SYSTEMS


BACK-UP ALARMS

400 SERIES Grommet Mount

The 400 Series back-up alarm features a reverse-mounted speaker design and utilizes a standard 4.5" rear lighting grommet for mounting directly into the vehicle body. Vehicle downtime is reduced as the alarm can be fitted or replaced quickly and easily without tools, there are no holes to drill and no bolts to tighten. Not only is the 'in-body' mounting method easier to install, but it also ensures the warning signal is projected where it is needed, directly into the hazard zone at the rear of the vehicle. Three models are available: 97 and 112dB(A) fixed decibel versions as well as an 87-112dB(A) Smart Alarm® unit.

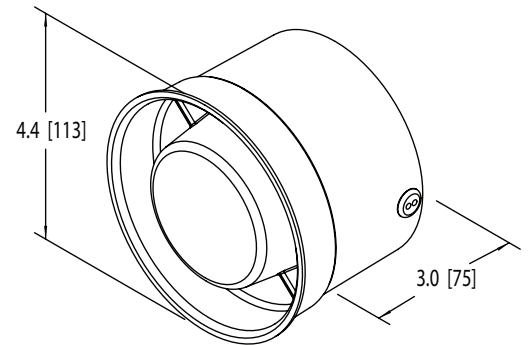
ECCO's range of Smart Alarms measure ambient noise and adjust their sound level, creating a volume that is safe without being annoying or contributing to noise pollution. Smart Alarms eliminate the need for constant manual adjustment and help prevent intentional alarm disconnection.

Models

PART NO.	VOLTAGE	dB(A)	AMPS	APPROVALS
SA940 	12-24	87-112	0.6	CE, R10
450	12-36	112	0.4	SAE Type A, CE, R10
410	12-36	97	0.1	SAE Type C, CE, R10

Features and Benefits

- Grommet mount reduces installation time and directs warning to rear of vehicle
- For use with standard 4.5" rear-lighting grommet (order separately)
- Epoxy sealed for protection against dust, moisture and vibration
- Temperature Range: -40°F to +185°F (-40°C to +85°C)
- ECCOLIFE™ Warranty



Alarm Specifications

Connection: 16 AWG blunt cut wires
 Housing: Fiberglass reinforced nylon
 Mounting: 4.5" standard rear lighting grommet

Parts & Accessories

- Mounting Grommet: R2140GR

