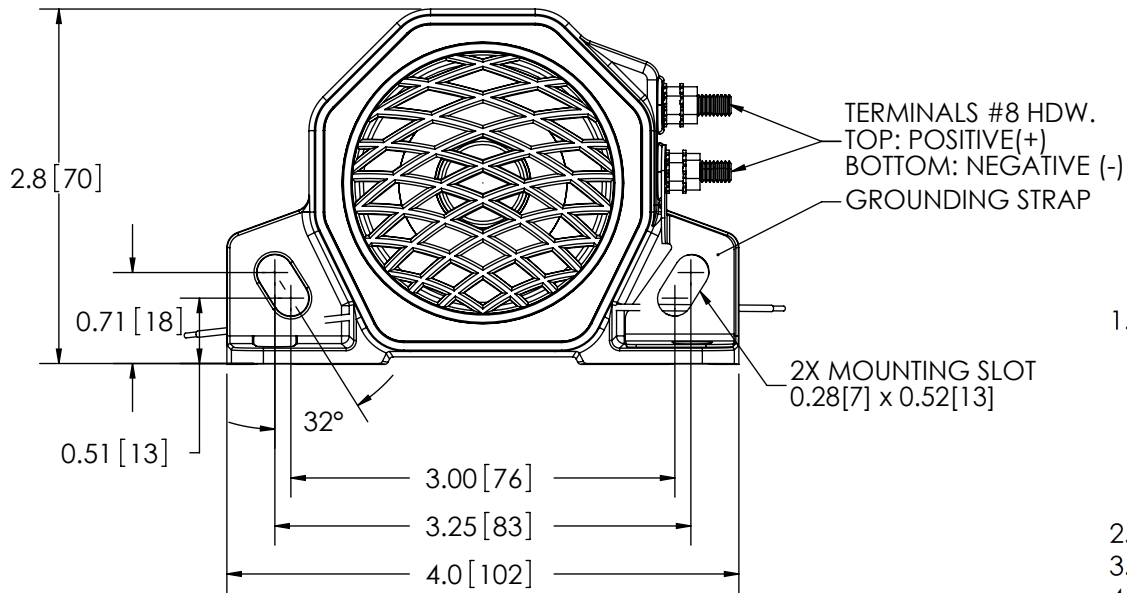


REVISION HISTORY		
REV.	DESCRIPTION	DATE
F	CHANGED HOUSING PER P3# 03026	2003-09-05
G	REVISE PER P10014	2012-11-06
H	REVISED	2012-11-06

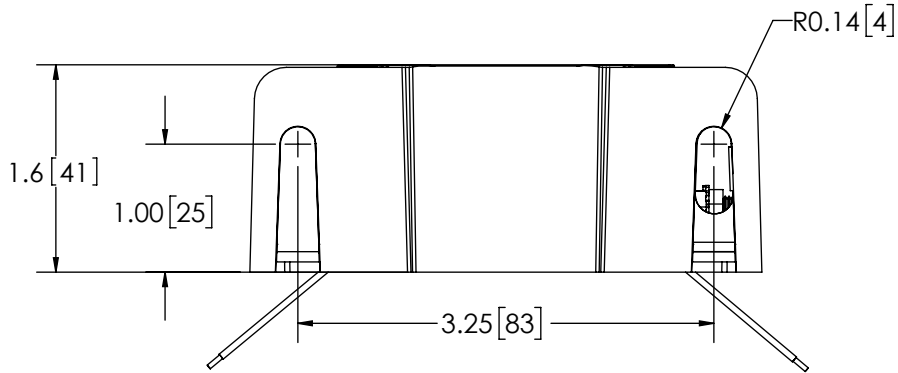


SPECIFICATIONS


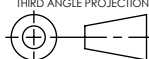
- CERTIFICATIONS: **CE**; **UL**; e; AMECA/SAE J994 (MAR. 2009) TYPE D;

Note: Unique components, accessories, and hardware kits are not typically included in the Product Certification Test Protocols. Unless otherwise Specified, the Product Certifications referred to herein are predicated upon the base product model configuration.

- SOUND PRESSURE LEVEL: 87 ± 4 dB (A) @ 1.2m (4ft)
- VOLTAGE (NOMINAL): 12 to 24 VDC
- VOLTAGE (EXTREME): 9.0 to 32.0 VDC
- CURRENT (PEAK): 0.1 A (@ 12 VDC NOMINAL)
- POWER (MAXIMUM): 2 W (@ 12 VDC NOMINAL)
- TEMPERATURE RANGE: -40°F (-40°C) TO 185°F (85°C)
- FREQUENCY: 700 to 2800 Hz
- CONNECTION: 8 - 32 UNI STUD CONNECTION
- RECOMMENDED MOUNTING: 1/4 - 20 UNC, GRADE 5 OR BETTER, 1/4" TYPE A, SERIES N OR W WASHER
- HOUSING MATERIAL: GLASS FILLED NYLON
- PRODUCT WEIGHT: 0.8 LBS (0.36 Kg)



NOTES:
1. DIMENSIONS IN INCHES [MILLIMETERS (FOR REFERENCE)]

SCALE 1:1.5		APPROVALS	DATE	 ALARM, BACK-UP, 87DBA, 12-24VDC							
CAD GENERATED DRAWING DO NOT MANUALLY UPDATE. MODEL REFERENCED: F		DRAWN BY: BND	2012-10-30								
TOLERANCES ARE IN INCHES, AND MILLIMETERS TOLERANCES ARE:		CHECKED: MDH	2012-10-31								
<table border="1"> <tr> <th>MILLIMETERS DECIMALS</th> <th>INCHES DECIMALS</th> <th>ANGLES</th> <th>FRACTIONS</th> </tr> <tr> <td>XX ± 1.0mm XX.X ± 0.5mm</td> <td>X.X ± 0.1 X.XX ± 0.04 X.XXX ± 0.02</td> <td>± 0.5°</td> <td>± 1/64</td> </tr> </table>		MILLIMETERS DECIMALS	INCHES DECIMALS		ANGLES	FRACTIONS	XX ± 1.0mm XX.X ± 0.5mm	X.X ± 0.1 X.XX ± 0.04 X.XXX ± 0.02	± 0.5°	± 1/64	MECH. ENG.: JLA
MILLIMETERS DECIMALS	INCHES DECIMALS	ANGLES	FRACTIONS								
XX ± 1.0mm XX.X ± 0.5mm	X.X ± 0.1 X.XX ± 0.04 X.XXX ± 0.02	± 0.5°	± 1/64								
		ELEC. ENG.: JES	2012-10-31								
		TEST ENG.: JRT	2012-11-01								
		SALES: DEH	2012-11-05								
NON DISCLOSURE AGREEMENT		THIRD ANGLE PROJECTION		CUSTOMER PART NO. 505							
<small>THIS DRAWING AND THE DESIGN IT DISCLOSES ARE THE PRIVATE PROPERTY OF ECCO AND IS ISSUED IN CONFIDENCE FOR ENGINEERING INFORMATION ONLY. THE DRAWING AND / OR DESIGN MAY NOT BE USED, COPIED, REPRODUCED, OR OTHERWISE DISCLOSED IN PART OR AS A WHOLE TO OUTSIDERS OR USED FOR ANY OTHER PURPOSE WITHOUT THE PRIOR WRITTEN CONSENT OF ECCO. THE DRAWING IS SUBJECT TO RECALL AT ANY TIME. YOUR POSSESSION OF THIS DOCUMENT CONSTITUTES ACCEPTANCE OF THESE TERMS. © 2002 ECCO</small>				PRODUCT SERIES: 500							
		SIZE: A	DWG. NO. 505	REV. H							
		Electronically Controlled Use Latest Copy		SHEET 1 OF 1							
		Project: CR# 602		Date Created: 2000-11-21							