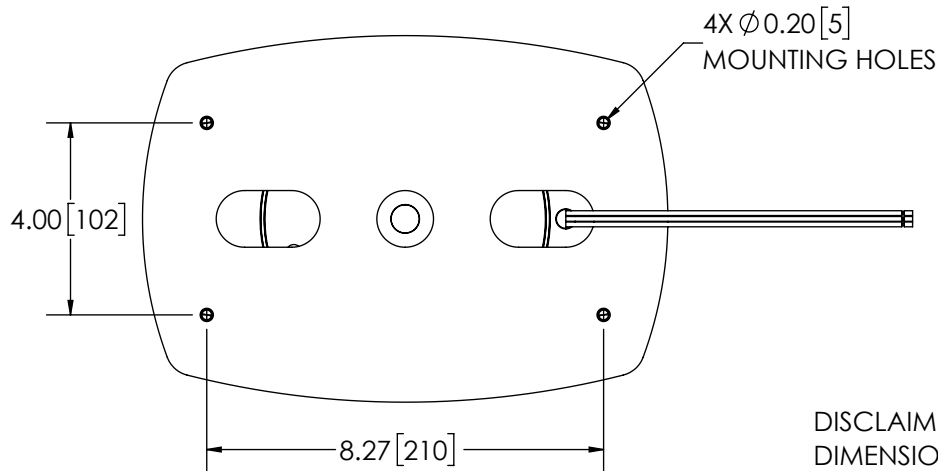
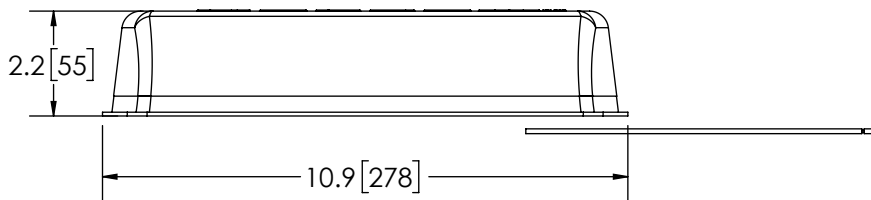


REVISION HISTORY		
REV.	DESCRIPTION	DATE
02	REVISED PER EL0056	2016-11-15
A	INITIAL RELEASE PER EL0056	2016-11-28
B	REVISE PER EL0086	2018-03-14

3-16 AWG WIRES
 RED - POSITIVE (+)
 BLACK - NEGATIVE (-)
 BLUE - PATTERN SELECT (-)

COLOR CHART	
FG P/N	COLOR
5545A	AMBER



SPECIFICATIONS

- CERTIFICATIONS: ECE R10; AMECA/SAE J845 (JUN 2013) CLASS 2; YELLOW; ; PENDING IP6K5
 Note: Unique components, accessories, and hardware kits are not typically included in the Product Certification Test Protocols. Unless otherwise Specified, the Product Certifications referred to herein are predicated upon the base product model configuration.
- FLASH MODE: DOUBLE : 75 ± 5 FLASHES PER MINUTE
 QUAD : 75 ± 5 FLASHES PER MINUTE
 QUINT : 75 ± 5 FLASHES PER MINUTE
- VOLTAGE (NOMINAL): 12-24 VDC
- VOLTAGE (EXTREME): 9-32 VDC
- CURRENT (PEAK): 0.7A (@ 12 VDC NOMINAL)
- POWER (MAXIMUM): 9.0W (@ 12 VDC NOMINAL)
- TEMPERATURE RANGE: -22°F (-30°C) TO 122°F (50°C)
- CONNECTION: 3-16 AWG. WIRES
- MOUNTING: 4 BOLT MOUNT KIT
- BASE MATERIAL: POLYCARBONATE
- LENS MATERIAL: POLYCARBONATE
- PRODUCT WEIGHT: 1.88 LBS (0.85 Kg)

DISCLAIMER

DIMENSIONS, ILLUSTRATIONS, SPECIFICATIONS, AND CERTIFICATIONS CONTAINED IN THIS DOCUMENT ARE TYPICAL OF THE ACTUAL PRODUCT AND ARE SUBJECT TO CHANGE. ECCO ENGINEERING DOES NOT MAINTAIN FORMAL DESIGN CONTROL OF THIS PRODUCT.

- NOTES:
 1. ROHS COMPLIANT
 2. DIMENSIONS IN INCHES [MILLIMETERS (FOR REFERENCE)]

SCALE 1:4		APPROVALS	DATE	
CAD GENERATED DRAWING DO NOT MANUALLY UPDATE. MODEL REFERENCED: A		DRAWN BY ABD	2018-03-06	
TOLERANCES ARE IN INCHES, AND MILLIMETERS TOLERANCES UNLESS OTHERWISE STATED ARE:		CHECKED ABB	2018-03-07	LED MICROBAR, 11", 12-24V, PERM, CLASS II
MILLIMETERS DECIMALS XX. ± 1.0mm XX.X ± 0.5mm	INCHES DECIMALS X.X ± 0.1 X.XX ± 0.04 X.XXX ± 0.02	MECH. ENG.		
		ELEC. ENG.		CUSTOMER PART NO. SEE CHART
		TEST ENG. JRT		PRODUCT SERIES: 5500
		SALES. ARS		DATE: 2018-03-07
				SIZE: A
				DWG. NO. 5545X
				REV. B
		Electronically Controlled Use Latest Copy		SHEET 1 OF 1
		Project: EL0056		Date Created: 2016-11-08

THIS DRAWING AND THE DESIGN IT DISCLOSES ARE THE PRIVATE PROPERTY OF ELECTRONIC CONTROLS CO. AND IS ISSUED IN CONFIDENCE FOR ENGINEERING INFORMATION ONLY. THE DRAWING AND / OR DESIGN MAY NOT BE USED, COPIED, REPRODUCED, OR OTHERWISE DISCLOSED IN PART OR AS A WHOLE TO OUTSIDERS OR USED FOR ANY OTHER PURPOSE WITHOUT THE PRIOR WRITTEN CONSENT OF ELECTRONIC CONTROLS CO. THE DRAWING IS SUBJECT TO RECALL AT ANY TIME. YOUR POSSESSION OF THIS DOCUMENT CONSTITUTES ACCEPTANCE OF THESE TERMS. © 2016 ELECTRONIC CONTROLS CO.

