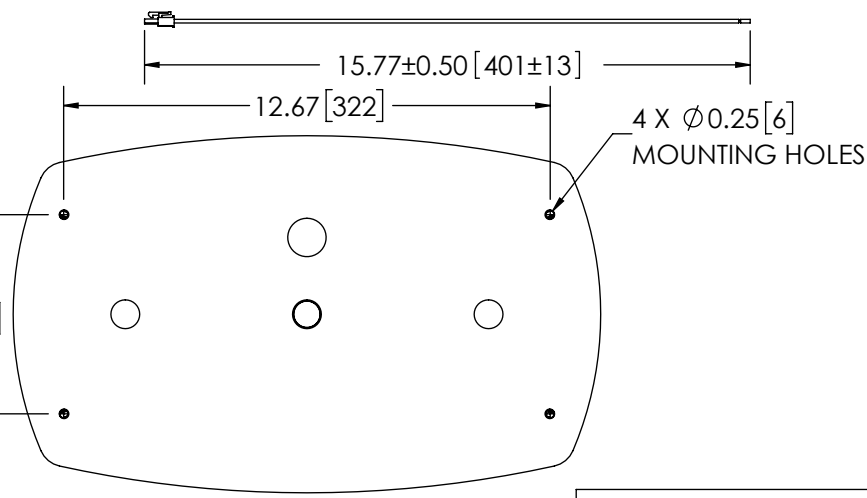
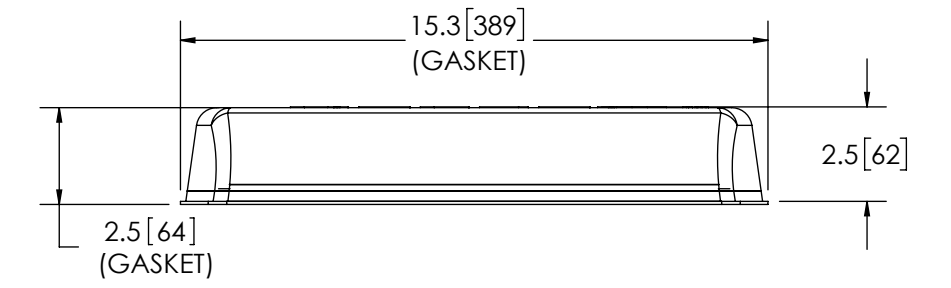


3-16 AWG WIRES
 RED - POSITIVE (+)
 BLACK - NEGATIVE (-)
 YELLOW - PATTERN SET



REVISION HISTORY		
REV.	DESCRIPTION	DATE
B	REVISE PER EC3409	2012-11-15
C	REVISE PER EC3409	2016-01-26
D	REVISED PER EC6001	2020-09-08

SPECIFICATIONS

- CERTIFICATIONS: **CE**; ECE R10; SAE J845 (JUN 2013); CLASS 2 YELLOW (AMBER); ; IP69K
 Note: Unique components, accessories, and hardware kits are not typically included in the Product Certification Test Protocols. Unless otherwise Specified, the Product Certifications referred to herein are predicated upon the base product model configuration.
- FLASH MODE: DOUBLE : 75 ± 5 FLASHES PER MINUTE
 QUAD : 75 ± 5 FLASHES PER MINUTE
 QUINT : 75 ± 5 FLASHES PER MINUTE
- VOLTAGE (NOMINAL): 12 to 24 VDC
- VOLTAGE (EXTREME): 9.0 to 32.0 VDC
- CURRENT (PEAK): 2.74A (@ 12 VDC NOMINAL)
- POWER (MAXIMUM): 35.1W (@ 12 VDC NOMINAL)
- TEMPERATURE RANGE: -22°F (-30°C) TO 122°F (50°C)
- CONNECTION: 3-16 AWG WIRES
- MOUNTING: 4 BOLT MOUNT KIT
- BASE MATERIAL: POLYCARBONATE
- LENS MATERIAL: POLYCARBONATE
- PRODUCT WEIGHT: 2.62 LBS (1.18 Kg)

COLOR CHART	
FGS. NO.	COLOR
5580A	AMBER
5580CA	CLEAR/AMBER

- NOTES:
- ROHS COMPLIANT
 - WIRE NOT SHOWN IN BOTTOM VIEW FOR CLARITY
 - DIMENSIONS IN INCHES[MILLIMETERS (FOR REFERENCE)]

SCALE 1:5		APPROVALS	DATE
CAD GENERATED DRAWING DO NOT MANUALLY UPDATE. MODEL REFERENCED: B		DRAWN BY MDH	2020-07-28
		CHECKED ABD	2020-07-29
TOLERANCES ARE IN INCHES, AND MILLIMETERS TOLERANCES UNLESS OTHERWISE STATED ARE:		MECH. ENG.	
MILLIMETERS DECIMALS XX. ± 1.0mm XX.X ± 0.5mm	INCHES DECIMALS X.X ± 0.1 X.XX ± 0.04 X.XXX ± 0.02	ELEC. ENG. JES	2020-07-29
	ANGLES ± 0.5° FRACTIONS ± 1/64	TEST ENG. JRT	2020-07-28
		THIRD ANGLE PROJECTION	2020-07-29
		SALES. ARS	



LED, MINIBAR, 8 HEAD, PM, 12-24VDC			
CUSTOMER PART NO. SEE CHART			
SIZE: A	DWG. NO. 5580XX	REV. D	
Electronically Controlled Use Latest Copy		SHEET 1 OF 1	Project: 09039 Date Created: 2010-05-11

PROPRIETARY AND CONFIDENTIAL INFORMATION
 THIS DRAWING AND THE DESIGN AND OTHER INFORMATION DISCLOSED HEREIN ARE THE PROPERTY OF ELECTRONIC CONTROLS COMPANY AND/OR ITS ECCO SAFETY GROUP AFFILIATES ("ECCO") AND IS ISSUED IN CONFIDENCE TO RECIPIENT FOR ENGINEERING INFORMATION PURPOSES ONLY. THIS DRAWING AND THE DESIGN AND OTHER INFORMATION DISCLOSED HEREIN MAY NOT BE USED, COPIED, REPRODUCED OR OTHERWISE DISCLOSED IN PART OR IN WHOLE TO THIRD PARTIES OR USED FOR ANY OTHER PURPOSE WITHOUT PRIOR ECCO WRITTEN CONSENT. ECCO RESERVES ALL PATENT, COPYRIGHT, TRADEMARK AND OTHER PROPRIETARY RIGHTS TO THIS DOCUMENT, INCLUDING ALL DESIGN, MANUFACTURING, REPRODUCTION, USE AND SALES RIGHTS THERETO. THIS DRAWING IS SUBJECT TO RECALL BY ECCO AT ANY TIME, AND YOUR POSSESSION AND/OR USE CONSTITUTES ACCEPTANCE OF THESE TERMS. ©2010 ELECTRONIC CONTROLS COMPANY