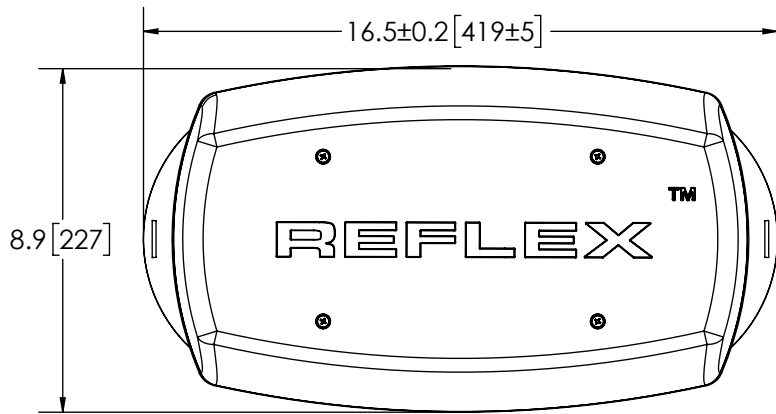


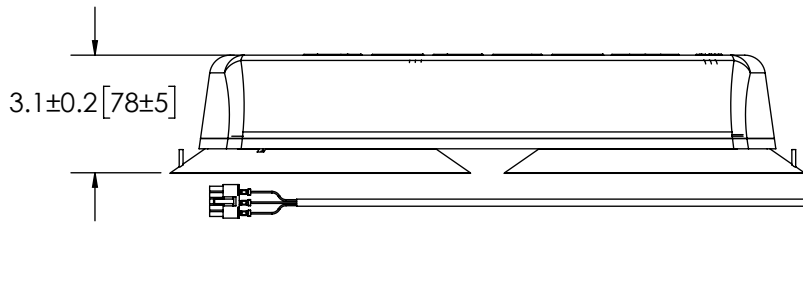
REVISION HISTORY		
REV.	DESCRIPTION	DATE
A	INITIAL RELEASE PER P14005	2016-02-16
B	REVISE PER P14005	2016-08-17
C	REVISE PER EC4499	2017-04-25



15'[4572] CORD W/ DUAL SWITCH LIGHTER ADAPTER

**SPECIFICATIONS**

- CERTIFICATIONS: **CE**; ECE R10; SAE J845 (JUN 2013); CLASS 1 YELLOW; IP-35C CATEGORY 2  
 Note: Unique components, accessories, and hardware kits are not typically Included in the Product Certification Test Protocols. Unless otherwise Specified, the Product Certifications referred to herein are predicated upon the base product model configuration.
- FLASH MODE: DOUBLE : 75 ± 5 FLASHES PER MINUTE  
 QUAD : 75 ± 5 FLASHES PER MINUTE  
 QUINT : 75 ± 5 FLASHES PER MINUTE
- VOLTAGE (NOMINAL): 12 to 24 VDC
- VOLTAGE (EXTREME): 9.0 to 32.0 VDC
- CURRENT (PEAK): 4.6A (@ 12 VDC NOMINAL)
- POWER (MAXIMUM): 58.9W (@ 12 VDC NOMINAL)
- TEMPERATURE RANGE: -22°F (-30°C) TO 122°F (50°C)
- CONNECTION: 15' CORD W/DUAL SWITCH LIGHTER ADAPTER
- MOUNTING: VACUUM/MAGNET MOUNT
- BASE MATERIAL: POLYCARBONATE
- LENS MATERIAL: POLYCARBONATE
- PRODUCT WEIGHT: 5.1 LBS (2.22 Kg)



NOTES:  
 1. ROHS COMPLIANT  
 2. DIMENSIONS IN INCHES[MILLIMETERS (FOR REFERENCE)]

SCALE 1:5		APPROVALS	DATE	
CAD GENERATED DRAWING DO NOT MANUALLY UPDATE. MODEL REFERENCED: A		DRAWN BY	2017-04-13	
TOLERANCES ARE IN INCHES, AND MILLIMETERS TOLERANCES UNLESS OTHERWISE STATED ARE:		CHECKED	ABD	2017-04-14
MILLIMETERS DECIMALS	INCHES DECIMALS	ANGLES		MECH. ENG.
XX. ± 1.0mm	X.X ± 0.1	± 0.5°		ELEC. ENG. JES
	X.XX ± 0.04	FRACTIONS		TEST ENG. JRT
	X.XXX ± 0.02	± 1/64		SALES. ARS
THIRD ANGLE PROJECTION		LED MINIBAR, 8 HEAD, VAC-MAG, 12-24VDC, A, C1		CUSTOMER PART NO. 5585A-VM
		PRODUCT SERIES: 5585		SIZE: A
		Electronically Controlled Use Latest Copy		DWG. NO. 5585A-VM
		SHEET 1 OF 1		REV. C
		Project: P14005		Date Created: 2016-02-03

NON DISCLOSURE AGREEMENT  
 THIS DRAWING AND THE DESIGN IT DISCLOSES ARE THE PRIVATE PROPERTY OF ELECTRONIC CONTROLS CO. AND IS ISSUED IN CONFIDENCE FOR ENGINEERING INFORMATION ONLY. THE DRAWING AND / OR DESIGN MAY NOT BE USED, COPIED, REPRODUCED, OR OTHERWISE DISCLOSED IN PART OR AS A WHOLE TO OUTSIDERS OR USED FOR ANY OTHER PURPOSE WITHOUT THE PRIOR WRITTEN CONSENT OF ELECTRONIC CONTROLS CO. THE DRAWING IS SUBJECT TO RECALL AT ANY TIME. YOUR POSSESSION OF THIS DOCUMENT CONSTITUTES ACCEPTANCE OF THESE TERMS. © 2016 ELECTRONIC CONTROLS CO.