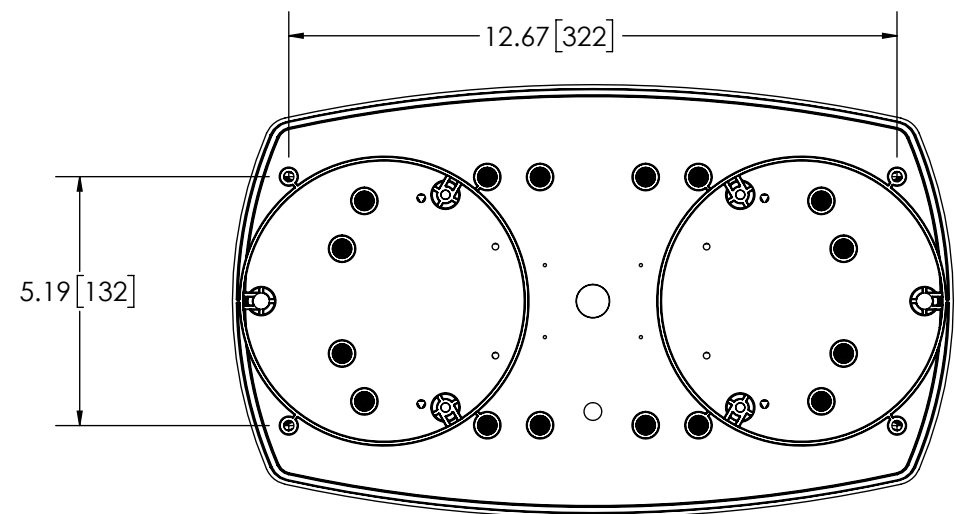
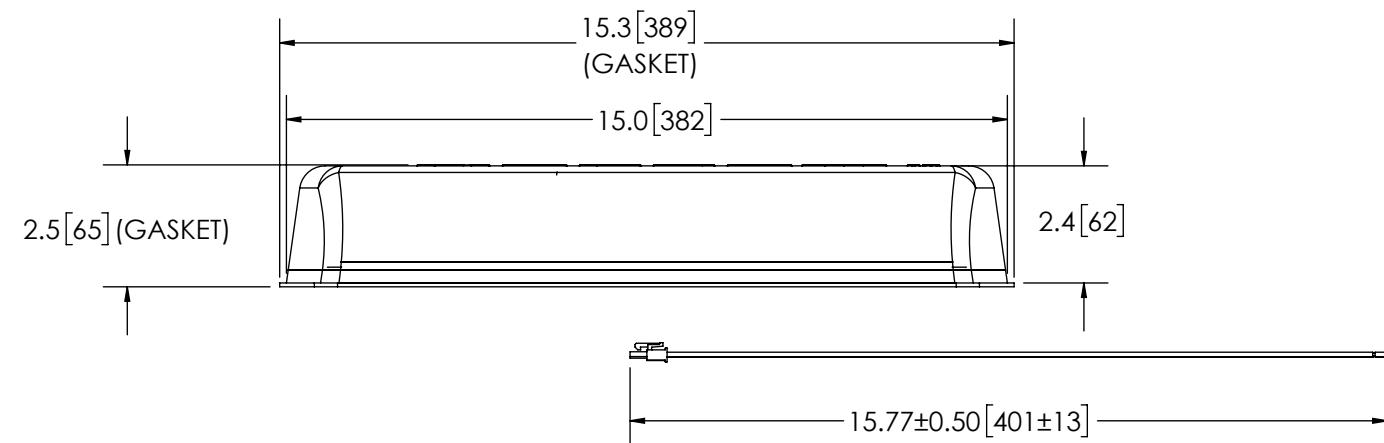
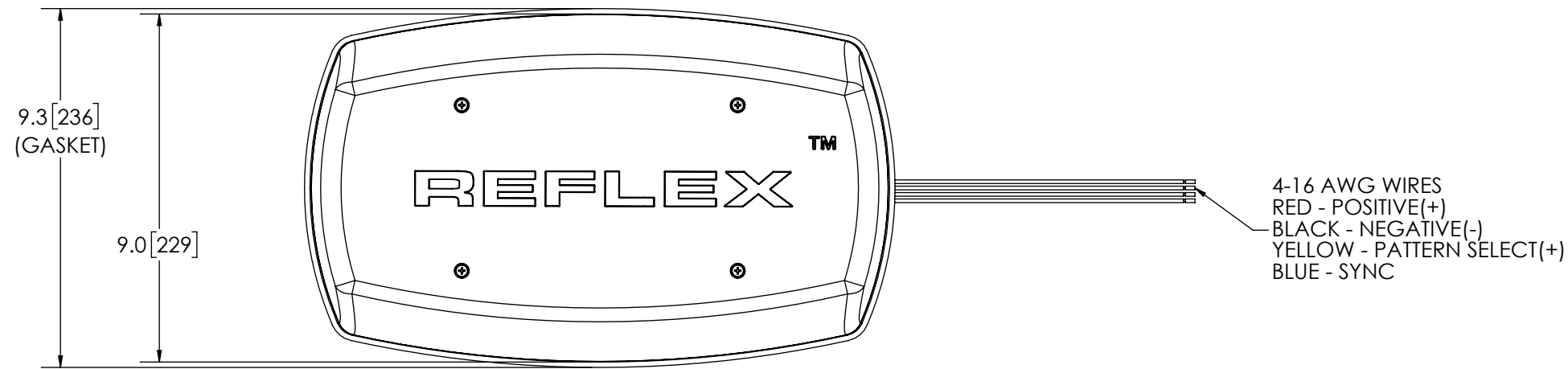


REVISION HISTORY		
REV.	DESCRIPTION	DATE
B	REVISED	2013-07-16
C	REVISED	2013-07-16
D	REVISED PER EC:6001	2020-09-08



SPECIFICATIONS

- CERTIFICATIONS: **CE**; ECE R10; SAE (SEE CHART); IP69K
Note: Unique components, accessories, and hardware kits are not typically included in the Product Certification Test Protocols. Unless otherwise Specified, the Product Certifications referred to herein are predicated upon the base product model configuration.
- FLASH MODE: DOUBLE : 75 ± 5 FLASHES PER MINUTE
QUAD : 75 ± 5 FLASHES PER MINUTE
QUINT : 75 ± 5 FLASHES PER MINUTE
- VOLTAGE (NOMINAL): 12 to 24 VDC
- VOLTAGE (EXTREME): 9.0 to 32.0 VDC
- CURRENT (PEAK): 5.8A (@ 12 VDC NOMINAL)
- POWER (MAXIMUM): 74.0W (@ 12 VDC NOMINAL)
- TEMPERATURE RANGE: -22°F (-30°C) TO 122°F (50°C)
- CONNECTION: 4-16 AWG WIRES
- MOUNTING: 4 BOLT MOUNT KIT
- BASE MATERIAL: POLYCARBONATE
- LENS MATERIAL: POLYCARBONATE
- PRODUCT WEIGHT: 3.1 LBS (1.4 Kg)

FGS. PRODUCT CHART

FGS. NO.	COLOR	CURRENT(PEAK)A	POWER(MAX.)W	J845(DEC 2007)
5590CAB	CLR/AMB/BLUE	5.8	74.0	CLASS 1S(YELLOW OR BLUE, SELECTIVE COVERAGE 180°)
5590CAC	CLR/AMB/CLR	5.9	75.9	CLASS 1S(YELLOW OR CLEAR, SELECTIVE COVERAGE 180°)
5590CAG	CLR/AMB/GRN	5.2	66.2	-
5590CAR	CLR/AMB/RED	6.6	83.7	CLASS 1S(YELLOW OR RED, SELECTIVE COVERAGE 180°)
5590CCR	CLR/CLR/RED	6.6	83.7	CLASS 1S(CLEAR OR RED, SELECTIVE COVERAGE 180°)
5590CRB	CLR/RED/BLUE	5.0	63.4	CLASS 1S(RED OR BLUE, SELECTIVE COVERAGE 180°)

- NOTES:
1. ROHS COMPLIANT
2. WIRE AND GASKET NOT SHOWN IN BOTTOM VIEW FOR CLARITY
3. DIMENSIONS IN INCHES[MILLIMETERS (FOR REFERENCE)]

PROPRIETARY AND CONFIDENTIAL INFORMATION

THIS DRAWING AND THE DESIGN AND OTHER INFORMATION DISCLOSED HEREIN ARE THE PROPERTY OF ELECTRONIC CONTROLS COMPANY AND/OR ITS ECCO SAFETY GROUP AFFILIATES ("ECCO") AND IS ISSUED IN CONFIDENCE TO RECIPIENT FOR ENGINEERING INFORMATION PURPOSES ONLY. THIS DRAWING AND THE DESIGN AND OTHER INFORMATION DISCLOSED HEREIN MAY NOT BE USED, COPIED, REPRODUCED OR OTHERWISE DISCLOSED IN PART OR IN WHOLE TO THIRD PARTIES OR USED FOR ANY OTHER PURPOSE WITHOUT PRIOR ECCO WRITTEN CONSENT. ECCO RESERVES ALL PATENT, COPYRIGHT, TRADEMARK AND OTHER PROPRIETARY RIGHTS TO THIS DOCUMENT, INCLUDING ALL DESIGN, MANUFACTURING, REPRODUCTION, USE AND SALES RIGHTS THEREIN. THIS DRAWING IS SUBJECT TO RECALL BY ECCO AT ANY TIME, AND YOUR POSSESSION AND/OR USE CONSTITUTES ACCEPTANCE OF THESE TERMS. ©2013 ELECTRONIC CONTROLS COMPANY

SCALE 1:4	APPROVALS	DATE	
CAD GENERATED DRAWING DO NOT MANUALLY UPDATE. MODEL REFERENCED: A	DRAWN BY: ABB	2020-08-12	
TOLERANCES ARE IN INCHES, AND MILLIMETERS TOLERANCES UNLESS OTHERWISE STATED ARE:	CHECKED: MDH	2020-08-13	
MILLIMETERS DECIMALS XX. ± 1.0mm XX.X ± 0.5mm	INCHES DECIMALS X.X ± 0.1 X.XX ± 0.04 X.XXX ± 0.02	ANGLES ± 0.5° FRACTIONS ± 1/64	MECH. ENG.
	ELEC. ENG. JES	2020-08-20	LED MINIBAR, 8 HEAD, 12-24VDC, C1
	TEST ENG. JRT	2020-08-14	
	SALES. ARS	2020-08-12	
THIRD ANGLE PROJECTION	Electronically Controlled Use Latest Copy		CUSTOMER PART NO. SEE CHART
	SIZE: B	DWG. NO. 5590CXX	REV. D
	SHEET 1 OF 1	Project: P11002	Date Created: 2013-01-15