

MINIBARS | LIGHTBARS | DIRECTIONALS | WORKLAMPS | UTILITY BARS | INTERIOR LIGHTING | BACK-UP ALARMS | CAMERA SYSTEMS

BEACONS

6500 SERIES SAE Class II Strobe

ECCO's 6500 Series strobe light offers outstanding value when a cost-effective SAE Class II light is required. Featuring a shock-resistant five-point power supply mounting and robust reinforced polypropylene base, this series of lights are suitable for both on- or off-highway applications. Thread-on polycarbonate lens and snap-fit flashtube allow easy field service without tools. Model-specific options include double or quad flash patterns.

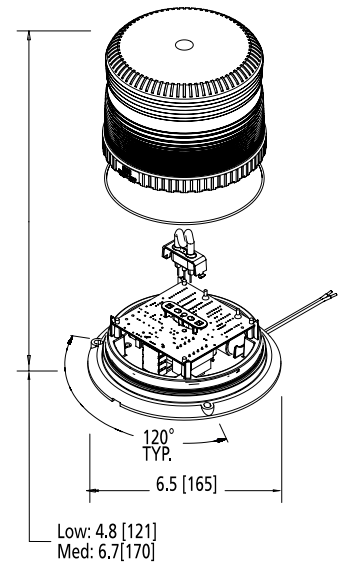
Models

PART NO.	PROFILE	VOLTAGE	AMPS	FPM	MOUNT
6550X	Low	12-48	2.4	80 Double or 65 Quad	3 Bolt/1" Pipe
6570X	Medium	12-48	2.4	80 Double or 65 Quad	3 Bolt/1" Pipe
6550X-VM	Low	12-48	2.4	80 Double	Vacuum-Magnet
6570X-VM	Medium	12-48	2.4	80 Double	Vacuum-Magnet

Replace X in part number with desired lens color: A = amber or C = clear

Features and Benefits

- Robust reinforced polypropylene base
- Thread-on polycarbonate lens and snap-fit flashtube allows easy field service
- Shock-resistant circuit board mounting incorporates 5 support points
- Consistent operation during voltage and temperature changes
- SAE J1318 Class II, CE, R10
- Temperature Range: -22°F to +122°F (-30°C to +50°C)
- Warranty: Strobe = 2 years / Flashtube = 6 months



Parts & Accessories

- Flashtube: R6501FT
- Lenses Low/Medium Profile:
 - Amber - R6050LA/R6070LA
 - Blue - R6050LB/R6070LB
 - Clear - R6050LC/R6070LC
 - Green - R6050LG/R6070LG
 - Red - R6050LR/R6070LR