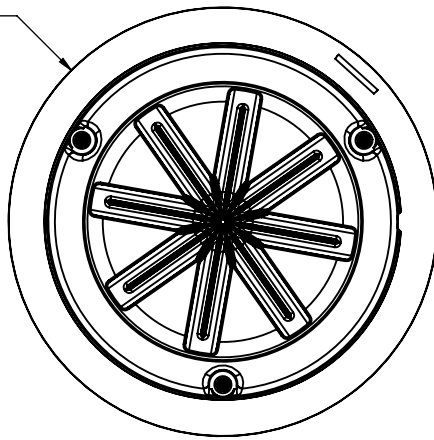
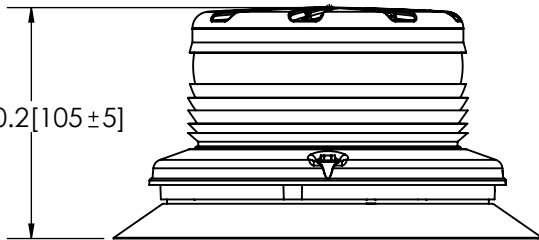


Ø 7.8±0.2 [198±5]



4.1 ± 0.2 [105 ± 5]



15' [4572] CORD W/ SINGLE SWITCH LIGHTER ADAPTER



| REVISION HISTORY | | |
|------------------|--------------------|------------|
| REV. | DESCRIPTION | DATE |
| C | REVISE PER LM14250 | 2015-05-07 |
| D | REVISE PER EC4573 | 2017-06-29 |
| E | REVISED PER EC5658 | 2021-03-23 |

SPECIFICATIONS

- CERTIFICATIONS: **CE**; ECE R10; SAE (SEE CHART); IP66
 Note: Unique components, accessories, and hardware kits are not typically Included in the Product Certification Test Protocols. Unless otherwise Specified, the Product Certifications referred to herein are predicated upon the base product model configuration.
- FLASH MODE: PULSE8 : 80 ± 5 FLASHES PER MINUTE
- VOLTAGE (NOMINAL): 12-24 VDC
- VOLTAGE (EXTREME): 9-32 VDC
- CURRENT (PEAK): SEE CHART (@ 12 VDC NOMINAL)
- POWER (MAXIMUM): SEE CHART (@ 12 VDC NOMINAL)
- TEMPERATURE RANGE: -22°F (-30°C) TO 122°F (50°C)
- CONNECTION: 2-CONDUCTOR CABLE W/LIGHTER ADAPTOR
- MOUNTING: VACUUM MAGNET
- BASE MATERIAL: GLASS FILL POLYPROPYLENE
- LENS MATERIAL: POLYCARBONATE
- PRODUCT WEIGHT: 2.5 LBS (1.13 Kg)

| FGS. PRODUCT CHART | | | | |
|--------------------|-------|------------------|---------------|-----------------|
| FGS. NO. | COLOR | CURRENT (PEAK) A | POWER (MAX) W | J845 (JUN 2013) |
| 7460A-VM | AMBER | 3.6 | 46.3 | CLASS I |
| 7460B-VM | BLUE | 3.6 | 46.3 | CLASS II |
| 7460G-VM | GREEN | 3.8 | 48.4 | - |
| 7460R-VM | RED | 3.9 | 49.7 | CLASS I |

| | | |
|--------------------------------------------------------------------------------------|-------------------------------------------------------------|-----------------------------------------|
| SCALE 1:3.5 | APPROVALS | DATE |
| CAD GENERATED DRAWING DO NOT MANUALLY UPDATE. MODEL REFERENCED: C | DRAWN BY ABD | 2020-01-13 |
| | CHECKED ABB | 2020-01-14 |
| TOLERANCES ARE IN INCHES, AND MILLIMETERS TOLERANCES UNLESS OTHERWISE STATED ARE: | MECH. ENG. JLA | 2020-01-13 |
| | ELEC. ENG. SPO | 2020-01-13 |
| MILLIMETERS DECIMALS XX. ± 1.0mm XX.X ± 0.5mm | INCHES DECIMALS X.X ± 0.1 X.XX ± 0.04 X.XXX ± 0.02 | ANGLES ± 0.5° FRACTIONS ± 1/64 |
| THIRD ANGLE PROJECTION | TEST ENG. RM | 2020-01-27 |
| | SALES. ARS | 2020-01-21 |
| | Electronically Controlled Use Latest Copy | |



LED BEACON, 360*, 12-24VDC, VM

| | | | |
|---------------------------------------|-------------------|--------------------------------|--------------------------|
| CUSTOMER PART NO. SEE CHART | | PRODUCT SERIES: 7460 | |
| SIZE: A | DWG. NO. 7460X-VM | REV. E | |
| SHEET 1 OF 1 | | Project: 08023 | Date Created: 2008-11-10 |

NOTES:
1. DIMENSIONS IN INCHES [MILLIMETERS (FOR REFERENCE)]

NON DISCLOSURE AGREEMENT

THIS DRAWING AND THE DESIGN IT DISCLOSES ARE THE PRIVATE PROPERTY OF ELECTRONIC CONTROLS CO. AND IS ISSUED IN CONFIDENCE FOR ENGINEERING INFORMATION ONLY. THE DRAWING AND / OR DESIGN MAY NOT BE USED, COPIED, REPRODUCED, OR OTHERWISE DISCLOSED IN PART OR AS A WHOLE TO OUTSIDERS OR USED FOR ANY OTHER PURPOSE WITHOUT THE PRIOR WRITTEN CONSENT OF ELECTRONIC CONTROLS CO. THE DRAWING IS SUBJECT TO RECALL AT ANY TIME. YOUR POSSESSION OF THIS DOCUMENT CONSTITUTES ACCEPTANCE OF THESE TERMS. © 2008 ELECTRONIC CONTROLS CO.