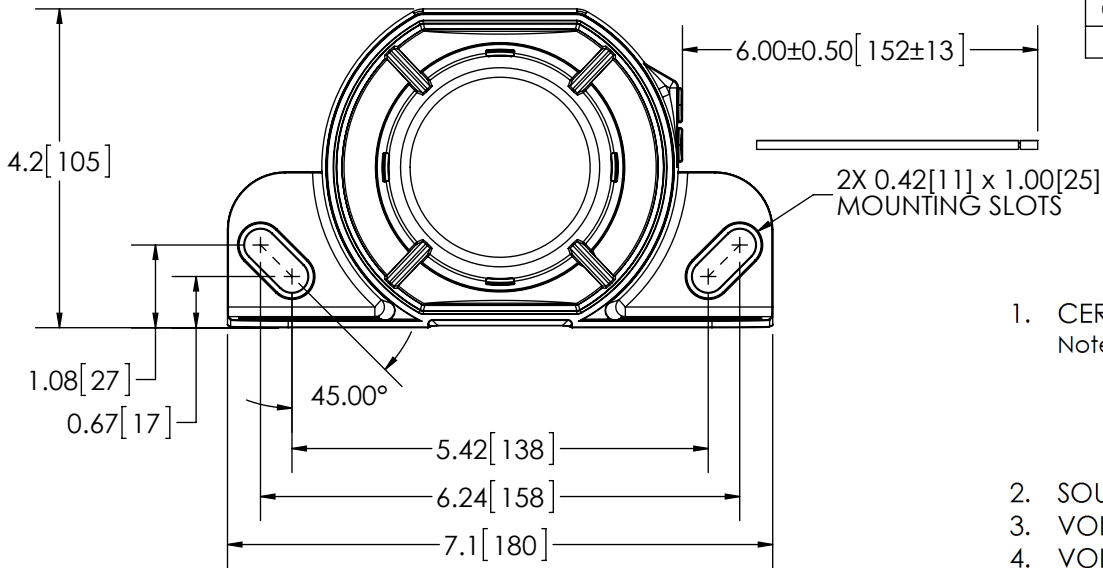
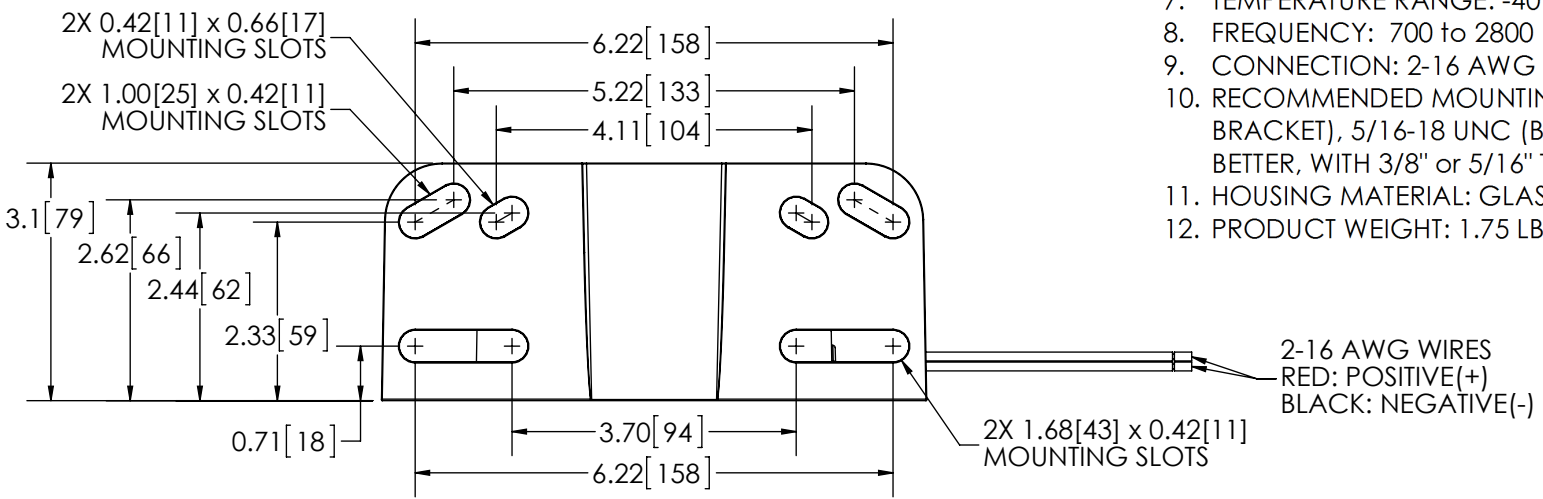


REVISION HISTORY		
REV.	DESCRIPTION	DATE
02	REVISED PER P10017	2013-02-26
03	REVISED PER P10017	2013-03-13
A	INITIAL RELEASE PER P10017	2013-04-04



### SPECIFICATIONS

- CERTIFICATIONS: **CE**; e; SAE J994 (MAR. 2009) TYPE A;  
Note: Unique components, accessories, and hardware kits are not typically included in the Product Certification Test Protocols. Unless otherwise Specified, the Product Certifications referred to herein are predicated upon the base product model configuration.
- SOUND PRESSURE LEVEL: 112 ± 4 dB (A) @ 1.2m (4ft)
- VOLTAGE (NOMINAL): 12 to 36 VDC
- VOLTAGE (EXTREME): 9.0 to 42.0 VDC
- CURRENT (PEAK): 1.26 A (@ 12 VDC NOMINAL)
- POWER (MAXIMUM): 15.1 W (@ 12 VDC NOMINAL)
- TEMPERATURE RANGE: -40°F (-40°C) TO 185°F (85°C)
- FREQUENCY: 700 to 2800 Hz
- CONNECTION: 2-16 AWG WIRES
- RECOMMENDED MOUNTING: 3/8-16 UNC (BOTTOM BRACKET), 5/16-18 UNC (BACK BRACKET), GRADE 5 OR BETTER, WITH 3/8" or 5/16" TYPE A SERIES N WASHERS
- HOUSING MATERIAL: GLASS FILLED NYLON
- PRODUCT WEIGHT: 1.75 LBS (0.79 Kg)



NOTES:  
1. DIMENSIONS IN INCHES [MILLIMETERS (FOR REFERENCE)]

SCALE 1:2.5		APPROVALS	DATE
CAD GENERATED DRAWING DO NOT MANUALLY UPDATE. MODEL REFERENCED:01		DRAWN BY MDH	2013-03-13
		CHECKED BND	2013-03-14
TOLERANCES ARE IN INCHES, AND MILLIMETERS TOLERANCES ARE:		MECH. ENG. JLA	2013-03-13
		ELEC. ENG. JES	2013-03-14
MILLIMETERS DECIMALS XX.X ± 1.0mm XX.X ± 0.5mm	INCHES DECIMALS X.X ± 0.1 X.XX ± 0.04 X.XXX ± 0.02	ANGLES ± 0.5°	
	FRACTIONS ± 1/64	TEST ENG. JRT	2013-03-15
		SALES. DEH	2013-03-19

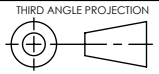
**ECCO**  
**ALARM, BACK-UP, 112DBA, 12-36VDC, GFN**

CUSTOMER PART NO. 876N  
PRODUCT SERIES: 800

SIZE: A DWG. NO. 876N  
Project: P10017 Date Created: 2013-02-08

Electronically Controlled Use Latest Copy SHEET 1 OF 1

NON DISCLOSURE AGREEMENT  
THIS DRAWING AND THE DESIGN IT DISCLOSES ARE THE PRIVATE PROPERTY OF ECCO AND IS ISSUED IN CONFIDENCE FOR ENGINEERING INFORMATION ONLY. THE DRAWING AND / OR DESIGN MAY NOT BE USED, COPIED, REPRODUCED, OR OTHERWISE DISCLOSED IN PART OR AS A WHOLE TO OUTSIDERS OR USED FOR ANY OTHER PURPOSE WITHOUT THE PRIOR WRITTEN CONSENT OF ECCO. THE DRAWING IS SUBJECT TO RECALL AT ANY TIME. YOUR POSSESSION OF THIS DOCUMENT CONSTITUTES ACCEPTANCE OF THESE TERMS. © 2013 ECCO



REV. A