



Installation Instructions 3730 Mounting Brackets

The featured mounting brackets are for use only with 3730 series LED light heads.



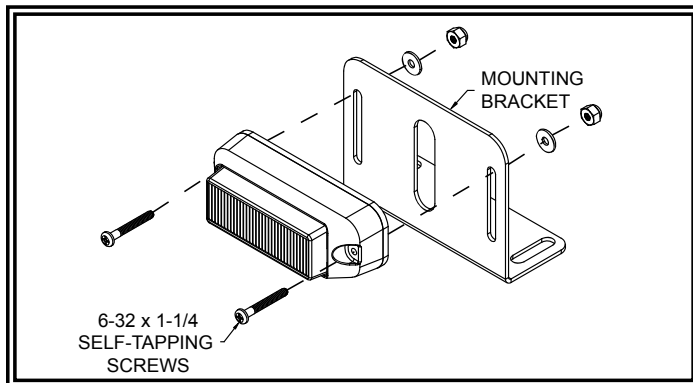
WARNING!

Failure to install or use this product according to manufacturers recommendations may result in property damage, serious bodily/personal injury, and/or death to you and those you are seeking to protect!

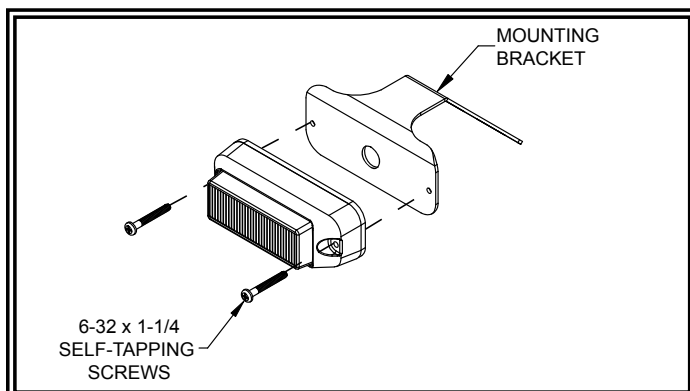


Do not install and/or operate this safety product unless you have read and understand the safety information contained in this manual.

1. Proper installation combined with operator training in the use, care, and maintenance of emergency warning devices are essential to ensure the safety of you and those you are seeking to protect.
2. Exercise caution when working with live electrical connections.
3. This product must be properly grounded. Inadequate grounding and/or shorting of electrical connections can cause high current arcing, which can cause personal injury and/or severe vehicle damage, including fire.
4. Proper placement and installation are vital to the performance of this warning device. Install this product so that output performance of the system is maximized and the controls are placed within convenient reach of the operator so that s/he can operate the system without losing eye contact with the roadway.
5. It is the responsibility of the vehicle operator to ensure during use that all features of this product work correctly. In use, the vehicle operator should ensure the projection of the warning signal is not blocked by vehicle components (i.e., open trunks or compartment doors), people, vehicles, or other obstructions.
6. The use of this or any other warning device does not ensure all drivers can or will observe or react to a warning signal. Never take the right-of-way for granted. It is your responsibility to be sure you can proceed safely before entering an intersection, driving against traffic, responding at a high rate of speed, or walking on or around traffic lanes.
7. This equipment is intended for use by authorized personnel only. The user is responsible for understanding and obeying all laws regarding warning signal devices. Therefore, the user should check all applicable city, state, and federal laws and regulations. The manufacturer assumes no liability for any loss resulting from the use of this warning device.



**FIGURE 1 - A3730BKT
UNIVERSAL BRACKET**

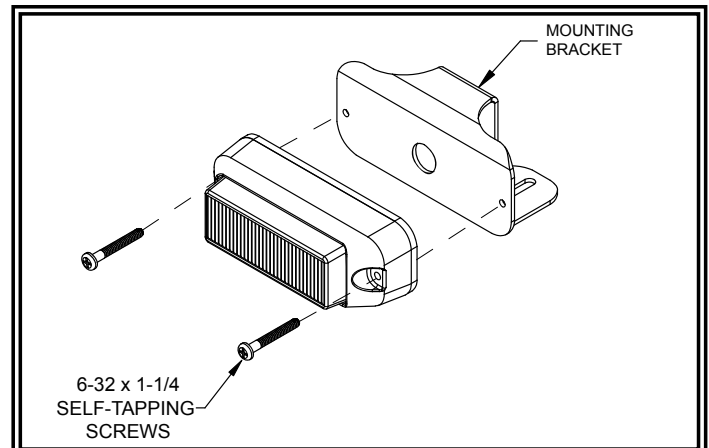


**FIGURE 2 - A3730TNK
BOOT/TRUNK BRACKET**

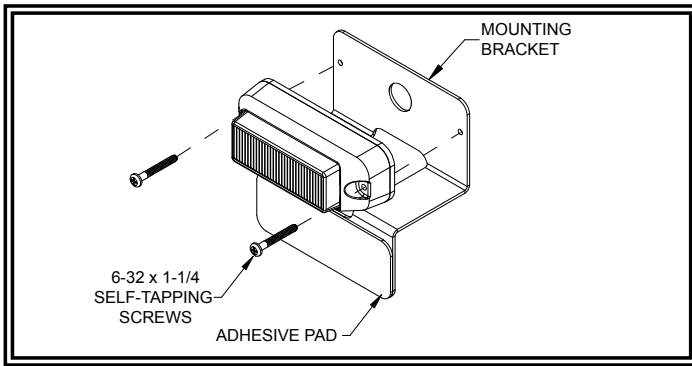
Mount the 3730 on the bracket as shown in the appropriate diagram. Push the two 6-32 x 1-1/4 screws through the mounting holes at the front of the unit and through the holes in the rubber mounting gasket. Drive the self-tapping screws through the holes or slots of the bracket.

Brackets with holes, instead of slots, do not require washers and nuts once the screw has been torqued to 15 in-lb. It is recommended that excess screw length be trimmed.

Caution: Do not overtighten the screws.

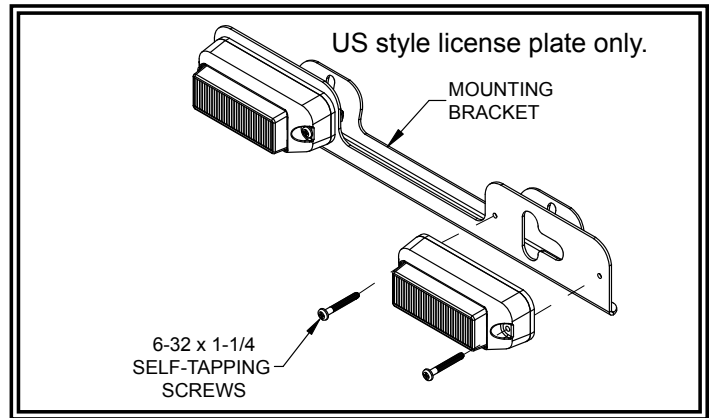


**FIGURE 3 - A3730DCK
DECK BRACKET**



**FIGURE 4 - A3730WIN
WINDOW BRACKET**

Mount the 3730 to the bracket as shown using the two 6-32 x 1-1/4" screws through the front of the unit. Make sure the mounting surface is clean before applying the bracket. A 50% isopropyl alcohol and 50% water solution is recommended for cleaning the mounting surface. Remove the backing from the adhesive pad on the bracket. Press the adhesive on the bracket firmly against the mounting surface for two minutes. Do not try to reposition the bracket. The adhesive will reach 20% of its maximum bond after 20 minutes, 75% after 1 hour, and 100% after 3 days.



**FIGURE 5 - A3730LIC
LICENSE PLATE BRACKET**

Mount the A3730LIC bracket to the lower or upper two license plate screw holes between the plate and the vehicle. Then, mount the 3730 lights onto the bracket as shown.

Caution: Do not overtighten the screws.