



# Installation Instructions

## Roof Mounting Brackets

### A5002RMK - GUTTERLESS MOUNTING (Refer to Figure 1)

### A5003RMK - GUTTER MOUNTING (Refer to Figure 2)

1. Select an area on the roof of least curvature, noting the positions of air horns, etc.
2. Using a pad to protect the roof of the vehicle, place the [light bar](#) on the vehicle to determine the correct mounting location.
3. Place the brackets on top of the vehicle, and attempt to find where the bar is level.
4. When leveled, lift each end of the light bar and insert the 5/16 -18x2 1/2 hex bolt from the back side. Install the gutter hooks, lock washers, trim nuts, and tighten. **DO NOT OVERTIGHTEN.** It is not necessary to dimple the roof in order to secure the bracket.

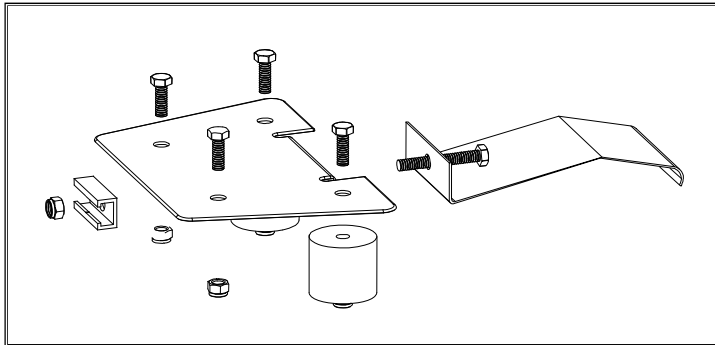


Figure 1

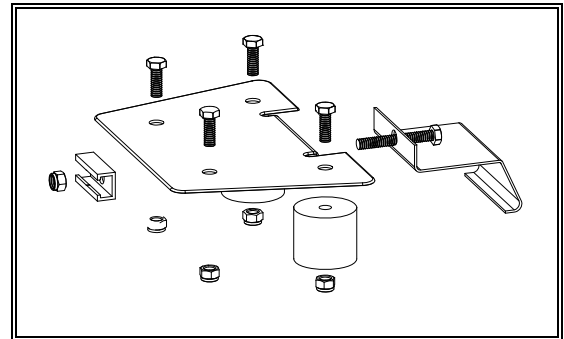


Figure 2