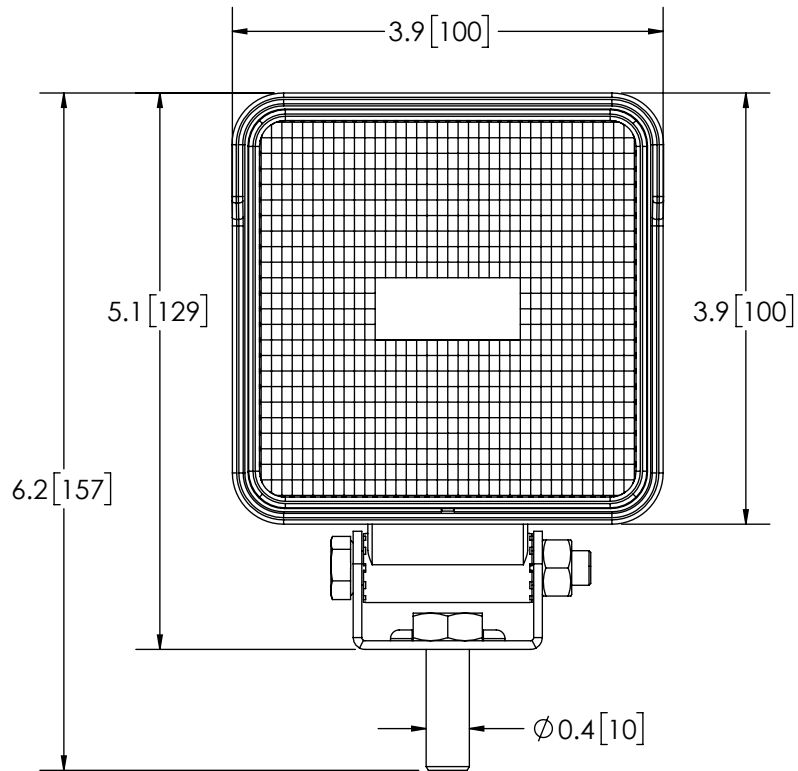
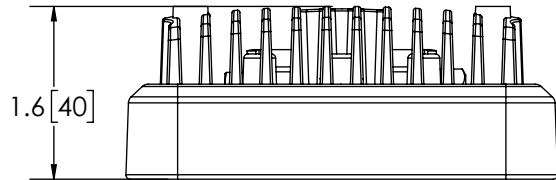



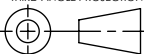
REVISION HISTORY		
REV.	DESCRIPTION	DATE
02	REVISED PER EC3410	2013-08-01
A	INITIAL RELEASE PER EC3410	2013-08-21
B	REVISE PER EC3410	2016-11-11



## SPECIFICATIONS

- CERTIFICATIONS: **CE**;  
 Note: Unique components, accessories, and hardware kits are not typically included in the Product Certification Test Protocols. Unless otherwise Specified, the Product Certifications referred to herein are predicated upon the base product model configuration.
- RAW LUMENS: 700 lumens
- EFFECTIVE LUMENS: 660 lumens
- ILLUMINANCE: lux
- PEAK BEAM INTENSITY: 1020 Candela
- EFFICACY: 68.4 lm/W
- CORRELATED COLOR TEMPERATURE: 6869K
- VOLTAGE (NOMINAL): 12 to 24 VDC
- VOLTAGE (EXTREME): 10 to 30 VDC
- CURRENT (PEAK): 0.7A (@ 12 VDC NOMINAL)
- POWER (MAXIMUM): 9.7W (@ 12 VDC NOMINAL)
- TEMPERATURE RANGE: -22°F (-30°C) TO 122°F (50°C)
- CONNECTION: 2 CONDUCTOR CABLE
- MOUNTING: SINGLE BOLT
- HOUSING MATERIAL: ALUMINUM
- LENS MATERIAL: ACRYLIC
- PRODUCT WEIGHT: 1.5 LBS (0.68 Kg)

- NOTES:  
 1. ROHS COMPLIANT  
 2. DIMENSIONS IN INCHES [MILLIMETERS (FOR REFERENCE)]

SCALE 1:1.75		APPROVALS	DATE						
CAD GENERATED DRAWING DO NOT MANUALLY UPDATE. MODEL REFERENCED:		DRAWN BY MDH	2016-08-31						
TOLERANCES ARE IN INCHES, AND MILLIMETERS TOLERANCES UNLESS OTHERWISE STATED ARE:		CHECKED ABB	2016-09-09						
<table border="1"> <tr> <th>MILLIMETERS DECIMALS</th> <th>INCHES DECIMALS</th> <th>ANGLES</th> </tr> <tr> <td>XX. ± 1.0mm XX.X ± 0.5mm</td> <td>X.X ± 0.1 X.XX ± 0.04 X.XXX ± 0.02</td> <td>± 0.5°  FRACTIONS ± 1/64</td> </tr> </table>		MILLIMETERS DECIMALS	INCHES DECIMALS		ANGLES	XX. ± 1.0mm XX.X ± 0.5mm	X.X ± 0.1 X.XX ± 0.04 X.XXX ± 0.02	± 0.5°  FRACTIONS ± 1/64	MECH. ENG. JLA
MILLIMETERS DECIMALS	INCHES DECIMALS	ANGLES							
XX. ± 1.0mm XX.X ± 0.5mm	X.X ± 0.1 X.XX ± 0.04 X.XXX ± 0.02	± 0.5°  FRACTIONS ± 1/64							
		ELEC. ENG. TJT	2016-08-31						
		TEST ENG. JRT	2016-09-07						
		SALES. LAT	2016-11-11						
NON DISCLOSURE AGREEMENT			<b>WORK LAMP, 5 LED, SQUARE, FLOOD, 12-24V</b>						
THIS DRAWING AND THE DESIGN IT DISCLOSES ARE THE PRIVATE PROPERTY OF ESG AND IS ISSUED IN CONFIDENCE FOR ENGINEERING INFORMATION ONLY. THE DRAWING AND / OR DESIGN MAY NOT BE USED, COPIED, REPRODUCED, OR OTHERWISE DISCLOSED IN PART OR AS A WHOLE TO OUTSIDERS OR USED FOR ANY OTHER PURPOSE WITHOUT THE PRIOR WRITTEN CONSENT OF ESG. THE DRAWING IS SUBJECT TO RECALL AT ANY TIME. YOUR POSSESSION OF THIS DOCUMENT CONSTITUTES ACCEPTANCE OF THESE TERMS. © 2013 ECCO			CUSTOMER PART NO. <b>E92007</b>						
THIRD ANGLE PROJECTION		SIZE: A DWG. NO. <b>E92007</b>		PRODUCT SERIES: <b>E92007</b>					
		SHEET 1 OF 1 Project: EC4356 Date Created: 2013-07-25		REV. <b>B</b>					
Electronically Controlled Use Latest Copy									