



EA7020/7070/9070



SMART ALARM®
LISTENS • ADJUSTS • REACTS
Select Models

EA5050/5200/5820/5920

EA6100/9724/9780

BEACONS | MINIBARS | LIGHTBARS | DIRECTIONALS | WORKLAMPS | UTILITY BARS | INTERIOR LIGHTING | CAMERA SYSTEMS

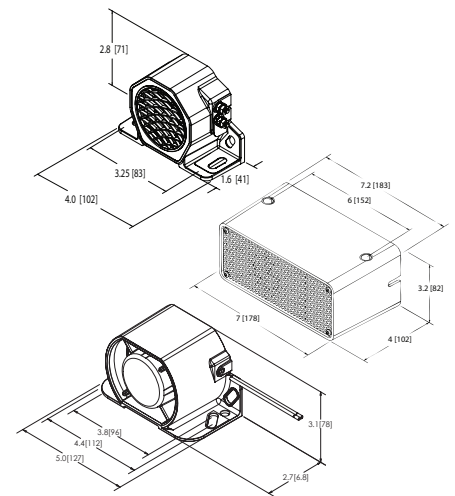
BACK-UP ALARMS

MULTI-FREQUENCY

Multi-Frequency back-up alarms provides a solution to potential noise pollution created by conventional tonal back-up alarms in confined or densely populated work areas. Those Multi-Frequency alarms maintain a safe warning signal for those in the danger zone of backing vehicles while minimizing disturbance to work site neighbors. Multi-Frequency alarms operate by emitting sound at multiple frequencies attenuated above 4000Hz. In addition, the reverse mounted speaker design of the EA6100, EA9724 and EA9780, and the driver technology used in the EA7020, EA7070 and EA9070, models extends the life expectancy of the alarm, so much so, that a life of the vehicle warranty is offered.

Models

PART NO.	VDC	dB(A)	AMPS	APPROVALS	WARRANTY
EA5050	12-24	87	0.34	SAE Type D, CE, R10, AMECA	2 Year
EA5200	12-24	97	1.0	SAE Type C, CE, R10, AMECA	2 Year
EA5820	12-24	82	0.2	SAE Type F, CE, R10	2 Year
EA5920	12-24	92	0.5	SAE Type F, CE, R10	2 Year
EA6100	12-24	97	0.7	SAE Type C, CE, R10	ECCOLIFE™
EA7020	12-24	102	0.6	SAE Type F, CE, R10, AMECA, IP66	ECCOLIFE™
EA7070	12-24	107	0.8	SAE Type B, CE, R10, AMECA, IP66	ECCOLIFE™
EA9070	12-24	87-107	0.9	SAE Type F, CE, R10, IP66	ECCOLIFE™
EA9724	12-24	77-97	0.7	SAE Type F, CE, R10	ECCOLIFE™
EA9780	36-80	77-97	0.8	SAE Type F, CE, R10	ECCOLIFE™



Alarm Specifications

- Reinforced nylon housing / 2-16 AWG wire connection
- Recommended mounting bolt: 1/4" Grade 5 (5050, 5200, 5820 & 5920), 3/8" Grade 5 (6100, 7020, 7070, 9070, 9724 & 9780)
- Recommended washer: 1/4" Type A, Series A or W (5050, 5200, 5820 & 5920), 3/8" Type A, Series N or W (6100, 7020, 7070, 9070, 9724 & 9780)
- Recommended mounting torque: 276 in. lbs. (6100, 7020, 7070, 9070, 9724 & 9780)
- Recommended mounting torque: 76 in. lbs. (5050, 5200, 5820 & 5920)

Features and Benefits

- Emits sound at multiple frequencies attenuated above 4000Hz
- Warning signal is more directional and perceived to dissipate quicker than pure tone
- Smart Alarm models adjust output to 5dB above surrounding noise
- Sealed in epoxy for protection against dust, moisture, and vibration
- Temperature Range: -40°F to +185°F (-40°C to +85°C)